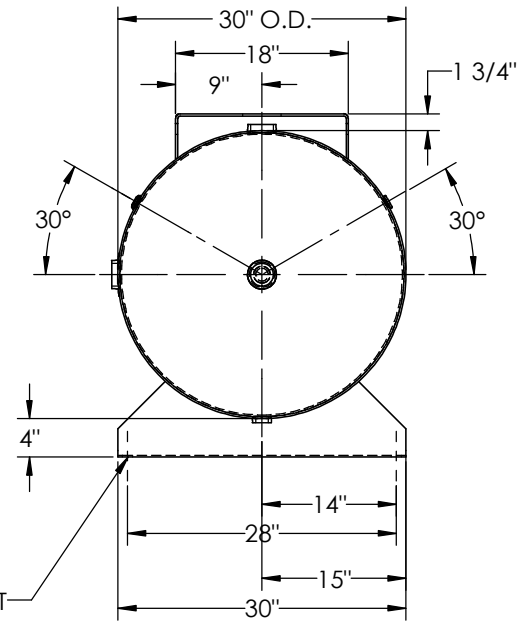
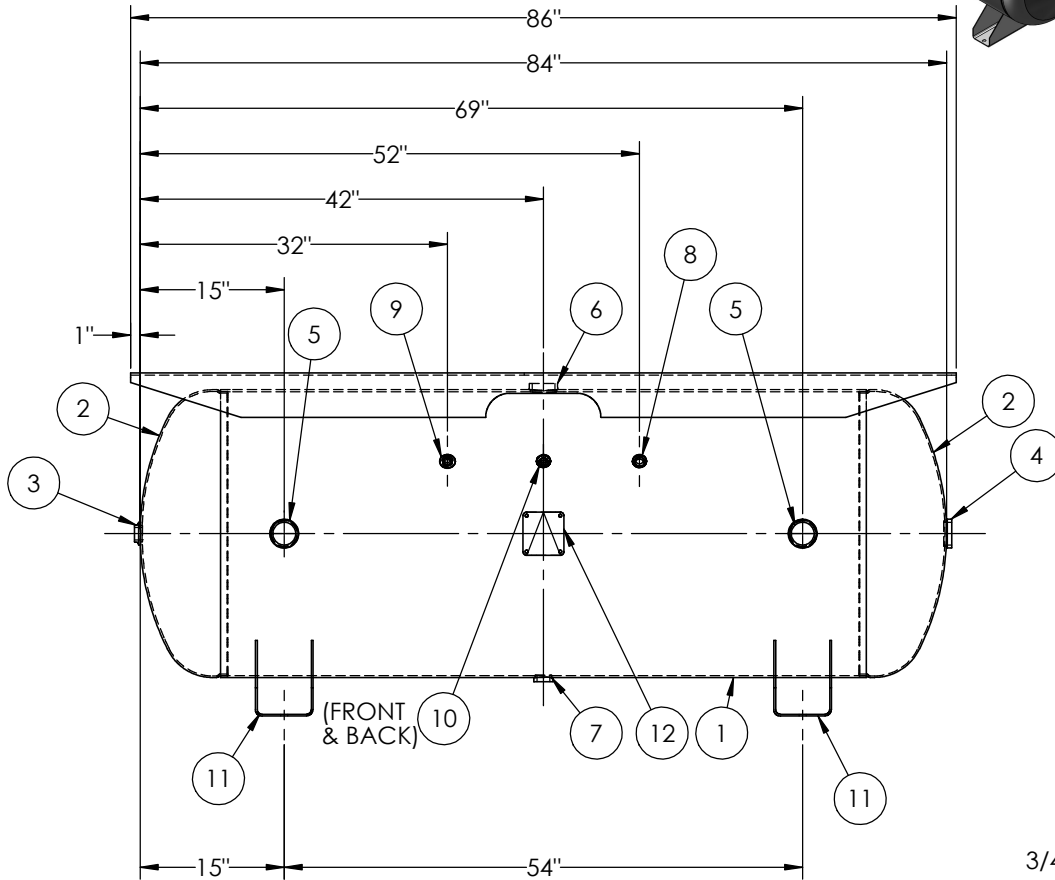


ITEM NO.	PART NO.	DESCRIPTION	QTY.
1	303181-SL	SHELL LAYOUT FOR 30" TANK	1
2	H32041	.186 MIN. 30" O.D. 2:1 ELLIP. JOG. HEAD	2
3	F10370	1"-NPT FLAT FLANGE	1
4	F30316	2"-NPT FLAT FLANGE O-RING	1
5	F30318	2"-NPT RADIAL FLANGE O-RING	2
6	F30318	2"-NPT FLANGE O-RING	1
7	F30263	1"-NPT RADIAL FLANGE	1
8	F10250	1/2"-NPT FLAT FLANGE	1
9	F10300	3/8"-NPT FLAT FLANGE	1
10	F31826	1/4"-NPT FLAT FLANGE	2
11	A84452	7GA SADDLE	2
12	A20910	ASME DATA PLATE	1
13	A99142	4GA TOPPLATE	1



NOTES:

SPECIFICATIONS

O.D. 30 LGTH. 84 MAWP 200 PSI @ 400°F
 WT. 763 LBS.
 S.A. 57.8 SQ.FT.
 GAL. 240 CU.FT.31.3 CRN: F0628.1C
 CODE: ASME Section VIII, Div.1, LATEST EDITION
 STD. TOLERANCES: M-2461 (UNLESS OTHERWISE NOTED)

W
 EXMT UG-20(f) CORR ALW 0 SH 0 HD
 WELD DETAILS: M-1932



HORIZONTAL AIR RECEIVER

FILE LOCATION: O:\SolidWorks\3000\303181

DRAWN BY: DATE:

APPR. BY: DATE:

SCALE: NONE DRWG NO. **303181**

RELEASED FOR PRODUCTION
 Q.C. _____ DATE _____

REV.		BY		DESCRIPTION		DATE	APP.
3	JR						JR
A	KAT						JC
B	RC						DS

