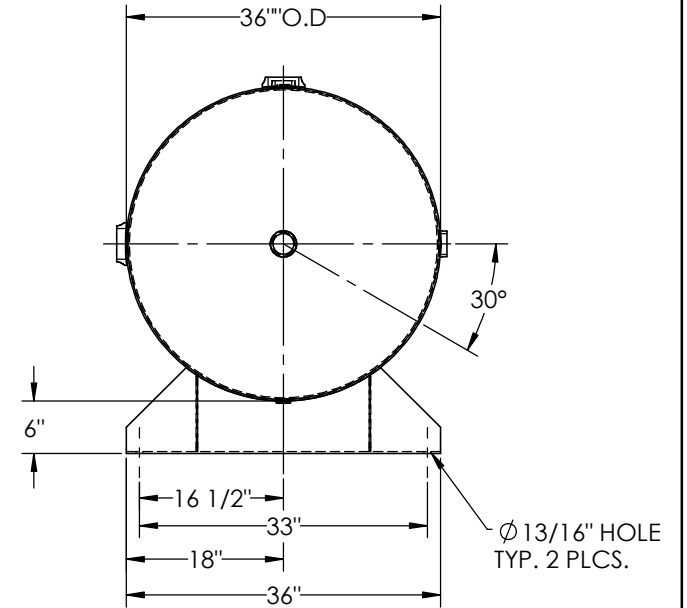
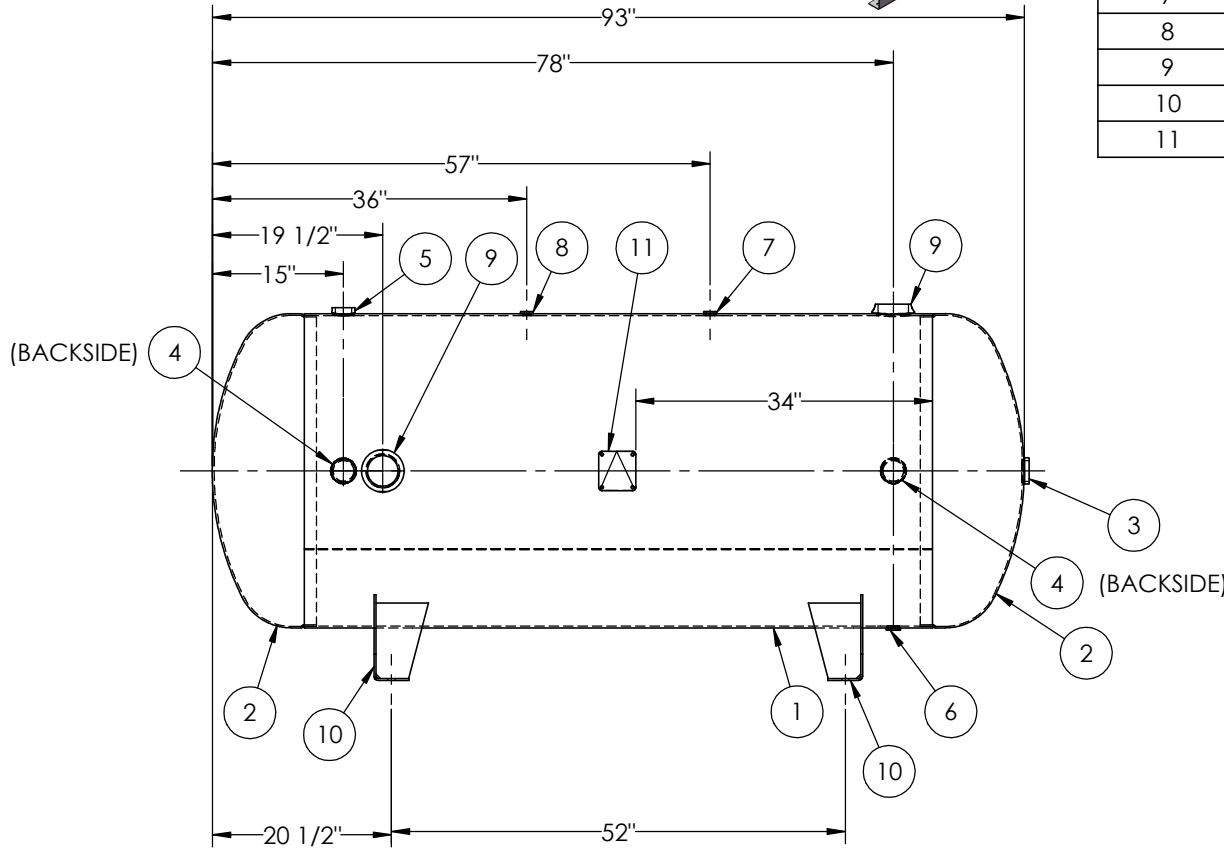




ITEM NO.	PART NO.	DESCRIPTION	QTY.
1	302488-SL	SHELL LAYOUT FOR 10" TANK	1
2	H44399	.176 MIN. 36" O.D. 2:1 ELLIP. JOG. HEAD	2
3	F30316	2"-NPT FLAT FLANGE O-RING	1
4	F30318	2"-NPT RADIAL FLANGE O-RING	2
5	F30317	1 1/2"-NPT RADIAL FLANGE O-RING	1
6	F31840	3/4"-NPT FLAT FLANGE	1
7	F10250	1/2"-NPT FLAT FLANGE	1
8	F31826	1/4"-NPT FLAT FLANGE	1
9	F25004	3"-NPT RADIAL FLANGE	2
10	A84493	L-BRACKET ASSEMBLY	2
11	A20910	ASME DATA PLATE	1



NOTES:

RELEASED FOR PRODUCTION  
Q.C. \_\_\_\_\_ DATE \_\_\_\_\_

REV.		BY	DESCRIPTION	DATE	APP.
E	AAH				JC
F	TMS				JC
G	EASi				MK
H	RC				RC

SPECIFICATIONS

O.D. 36 LGTH. 93 MAWP 200 PSI @ 400°F  
 WT. 730.2 LBS.  
 S.A. 77.2 SQ.FT.  
 GAL. 400 CU.FT.50 CRN: L8908.5C  
 CODE: ASME Section VIII, Div.1, LATEST EDITION EXMT UG20(f) CORR ALW 0 SH 0 HD  
 STD. TOLERANCES: M-2461 (UNLESS OTHERWISE NOTED) WELD DETAILS: M-1932



HORIZONTAL AIR RECEIVER

FILE LOCATION: O:\SolidWorks\3000\302488

DRAWN BY: BS DATE: \_\_\_\_\_

APPR. BY: JR DATE: \_\_\_\_\_

SCALE: NONE DRWG NO. 302488