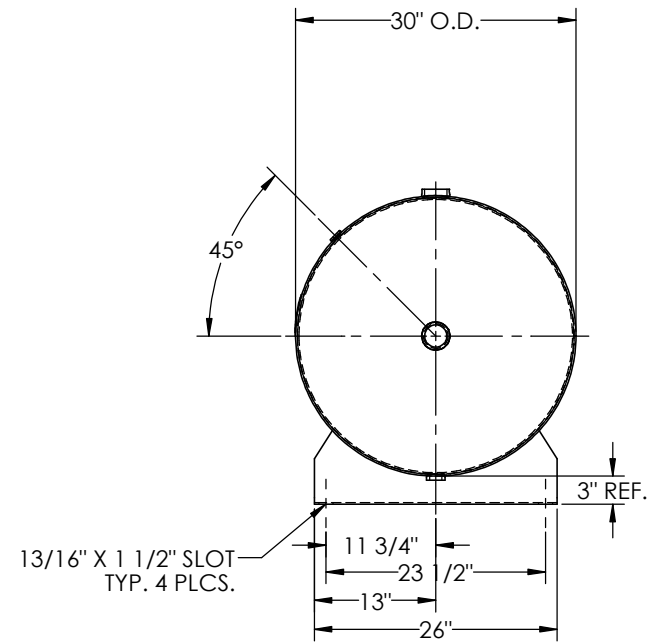
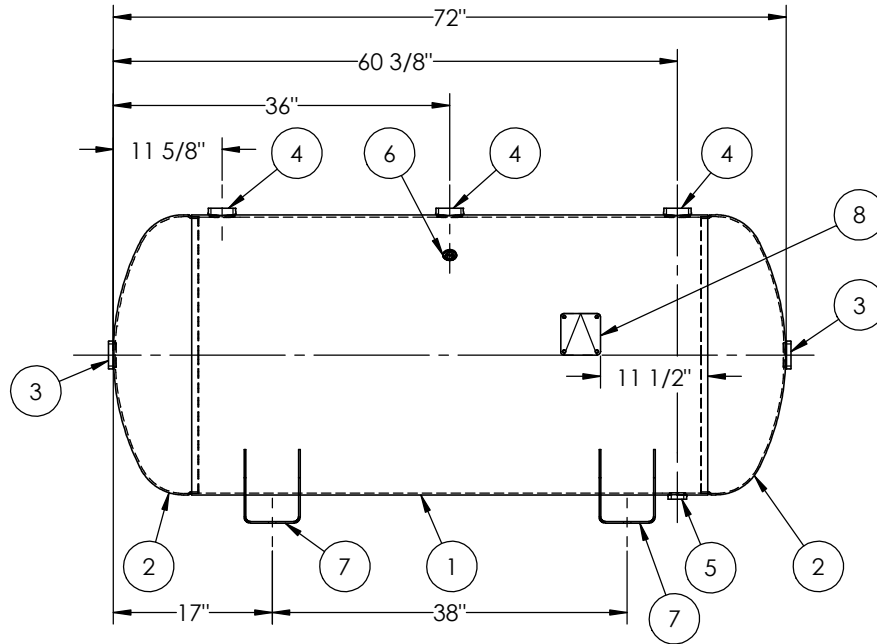


ITEM NO.	PART NO.	DESCRIPTION	QTY.
1	302482-SL	SHELL LAYOUT FOR 30" TANK	1
2	H32041	.186 MIN. 30" O.D. 2:1 ELLIP. JOG. HEAD	2
3	F30316	2"-NPT FLAT FLANGE O-RING	2
4	F30318	2"-NPT RADIAL FLANGE O-RING	3
5	F30263	1"-NPT RADIAL FLANGE	1
6	F31826	1/4"-NPT FLAT FLANGE	1
7	A55848.2	7GA SADDLE	2
8	A20910	ASME DATA PLATE	1



NOTES:

SPECIFICATIONS

O.D. 30 LGTH. 72
 WT. 525 LBS.
 S.A. 50 SQ.FT.
 GAL. 200 CU.FT.26.5 CRN: F0628.1C
 CODE: ASME Section VIII, Div.1, LATEST EDITION
 STD. TOLERANCES: M-2461 (UNLESS OTHERWISE NOTED)

MAWP 200 PSI @ 400°F

EXMT UG-20(f) CORR ALW 0 SH 0 HD
 WELD DETAILS: M-1932



HORIZONTAL AIR RECEIVER

FILE LOCATION: O:\SolidWorks\3000\302482

DRAWN BY: DATE:

APPR. BY: DATE:

SCALE: NONE
 DRWG NO. **302482**

RELEASED FOR PRODUCTION
 Q.C. _____ DATE _____

REVISIONS

REV.	BY	DESCRIPTION	DATE	APP.
A	BAK			JC
B	DS			DS

