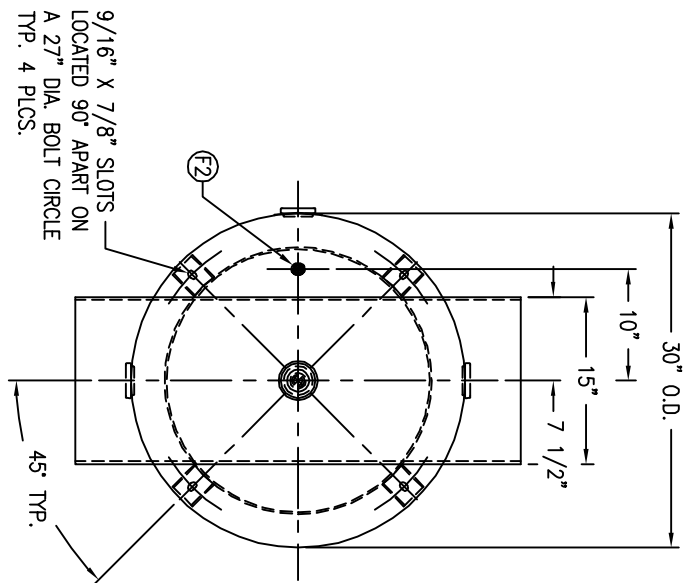
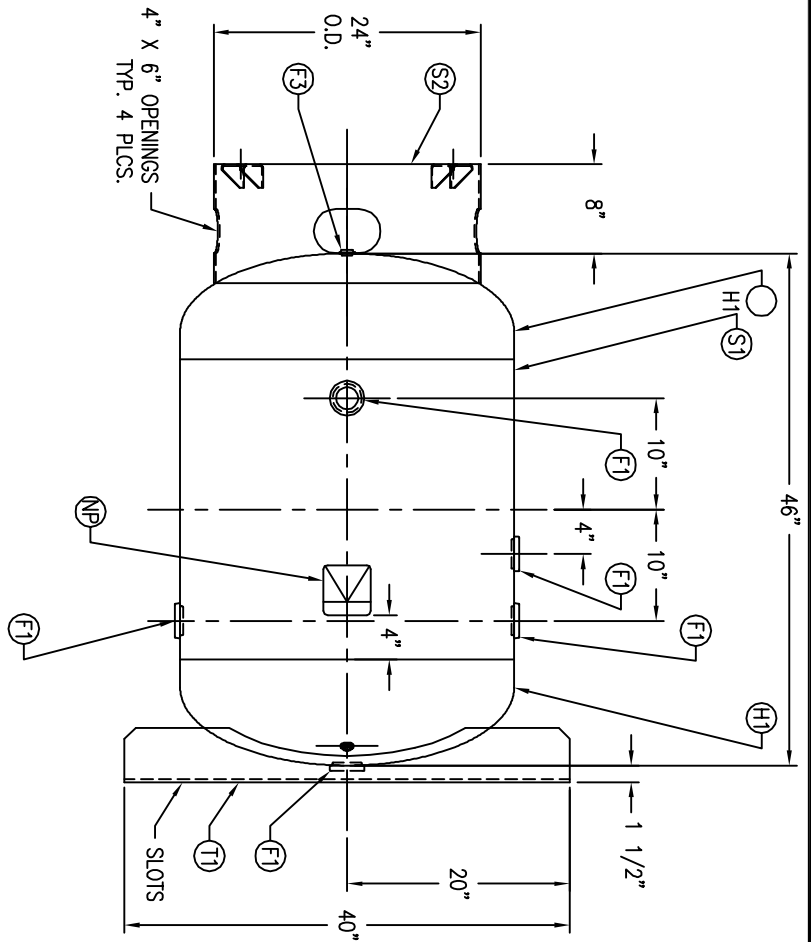


CODE/ADDENDA APPROVED  
 RELEASED FOR PRODUCTION  
 Q.C. \_\_\_\_\_ DATE \_\_\_\_\_




FIND NO.	NPT SIZE
F1	2
F2	1/4
F3	1/2

SYM	DATE	BY	REVISION
A		EGB	
B		EGB	
C		CDH	

APP	XREF	REV.	NOTES
TA			
JR			

SPECIFICATIONS	
O.D. 30	LGTH. 46
MAWP 300	PSI @ 400 °F
RT- MDMT-20	°F @ 300 PSI
EXMT	TEST
XRAY	PSI
CRN F1626.123456	
WELD DETAILS: M-1932	
STD. TOLERANCES (UNLESS OTHERWISE NOTED): M-2461	

  
 INTERPAIN APPS \DWG\302

**VERTICAL AIR RECEIVER**

DRAWN BY LB	DATE	SCALE: NONE
APP. BY AS	DATE	DRAWING NO. 302425