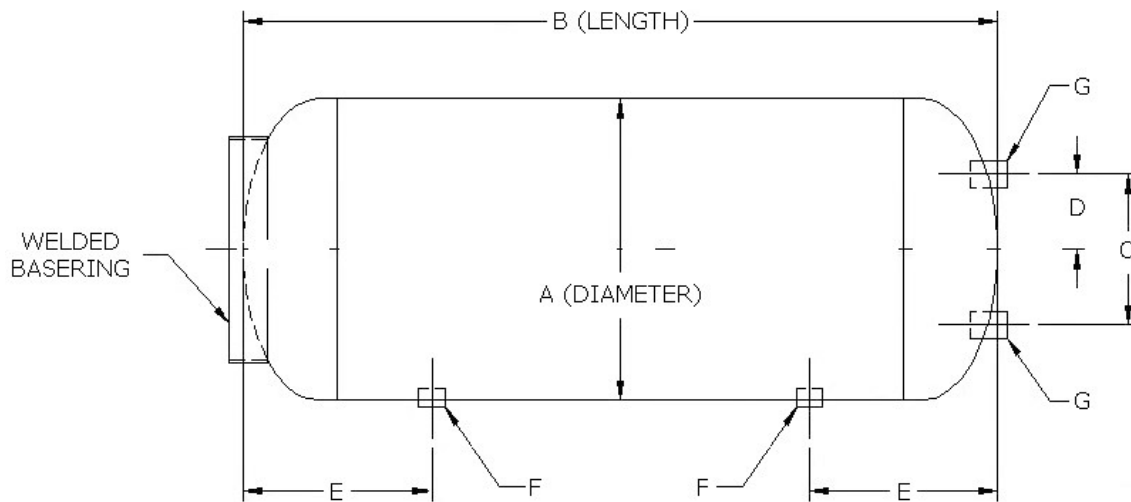




ASME Plain Steel Expansion Tanks

Features

- ASME constructed and stamped
- Design Pressure: 150 psi, test 195 psi
- Leak-proof, each tank individually tested
- Accurately positioned openings
- Manufacturer's Data Report for Pressure Vessels, Form U-1A available upon request



DESCRIPTION		DIMENSIONS					OPENINGS (NPT)		SHIPPING WEIGHT (LBS)
Part #	Gallons	A	B	C	D	E	F	G	Painted
302537	15	12"	33"	8"	4"	7 3/4"	1"	1/2"	46
302539	30	14"	48"	10"	5"	8 1/2"	1 1/2"	1/2"	67
302540	40	14"	63"	10"	5"	9 1/4"	1 1/2"	1/2"	85
303167	80	20"	62 1/4"	16"	8"	10"	2"	1/2"	134
302542	100	20"	78"	16"	8"	11 1/8"	2"	1/2"	166

Customer Service
P: 800-926-2791

www.manchestertank.com