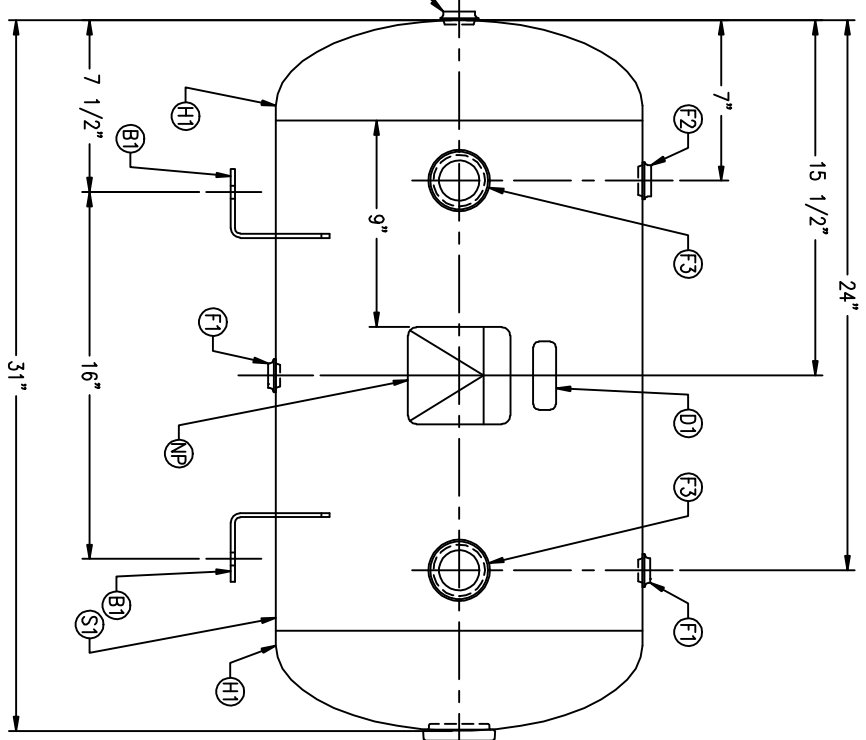
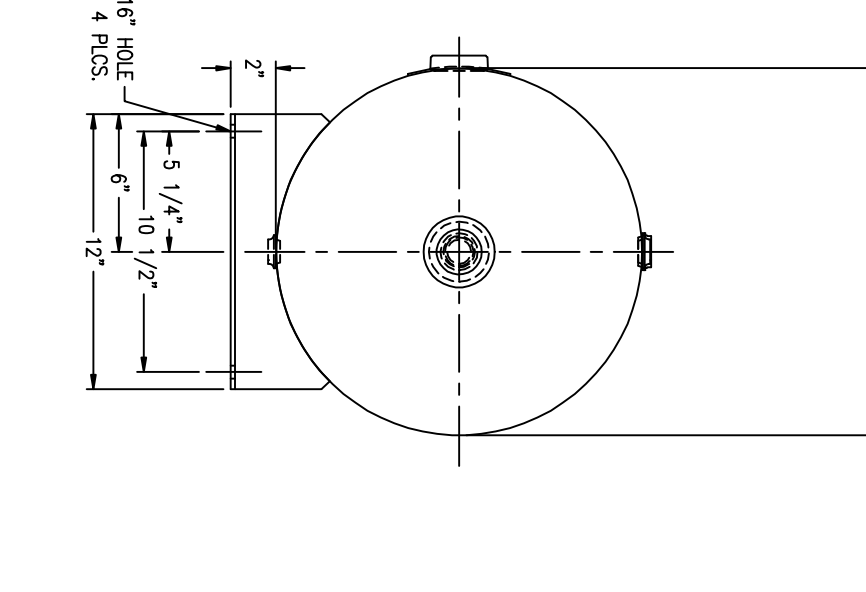


CODE/ADDENDA 2004/2006 APPROVED KM
 RELEASED FOR PRODUCTION
 Q.C. _____ DATE _____

FIND NO.	NPT SIZE
F1	1/2
F2	3/4
F3	1 1/2
F4	2



NOTES
 1. ALL PLUGS TO BE LOOSENED TO HAND TIGHT PLUS ONE HALF TURN PRIOR TO SHIPMENT.



SM DATE BY	REVISION	APP XREF REV	NOTES	SPECIFICATIONS
		C1127		O.D. 16 LGTH. 31 MAMP 200 PSI @ 650 F CRN F2151.1C



HORIZONTAL AIR RECEIVER

DRAWN BY	DATE	SCALE: NONE
APP. BY	DATE	DRAWING NO. 304944

CODE: ASME SEC. VIII DIV. I,
 LATEST EDITION & ADDENDA
 GAL. 23.8 S.A. 11.6
 WT. 72# CULFT. 3.2

WELD DETAILS: M-1932
 STD. TOLERANCES (UNLESS OTHERWISE NOTED): M-2461