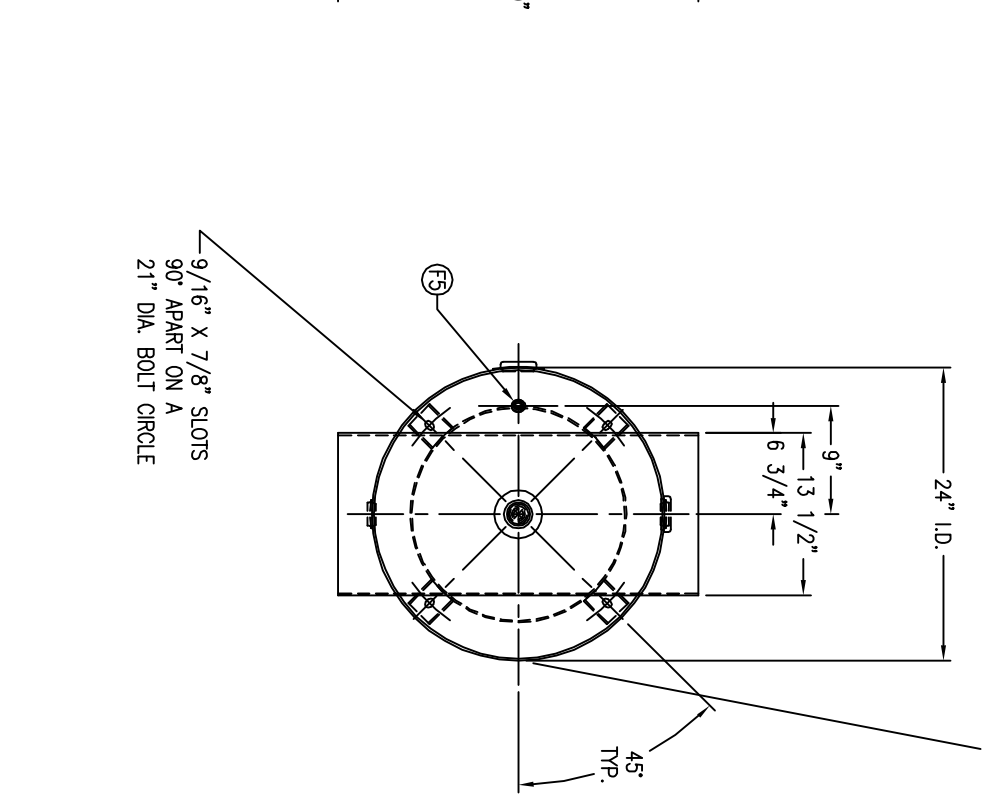
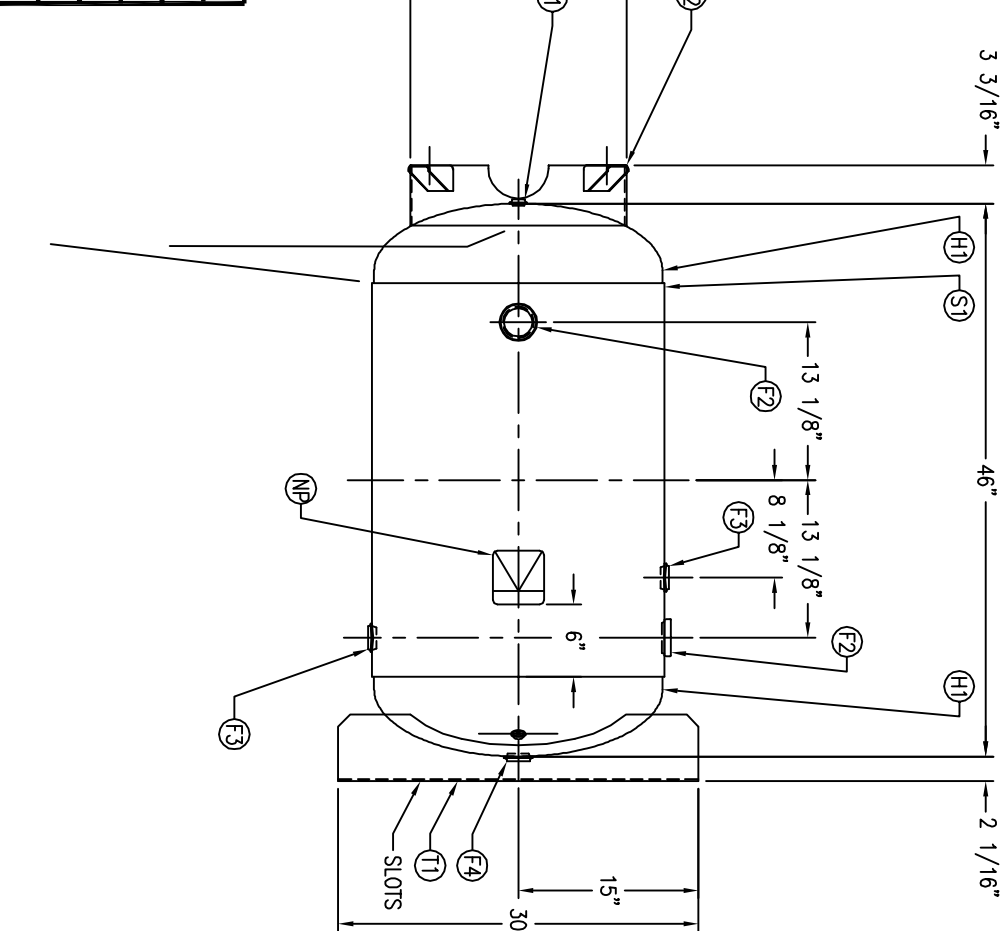


CODE/ADDENDA 2010/2011A APPROVED DP  
 RELEASED FOR PRODUCTION  
 Q.C. \_\_\_\_\_ DATE \_\_\_\_\_

FIND NO.	NPT SIZE
F1	1/2
F2	2
F3	1-1/4
F4	1-1/4
F5	1/4



9/16" X 7/8" SLOTS  
 90° APART ON A  
 21" DIA. BOLT CIRCLE

SYMBOL	DATE	BY	REVISION	APP	XREF	REV.	NOTES	SPECIFICATIONS
A		ECGB		ECGB	C427	E		I.D. 24 LGTH. 46 SH. MAT'L
B		CM		ECGB	C694	B		MAMP 200 PSI @ 690 F. HD. MAT'L
				DP				RT- MDMT T@ PSI GAL. 80 S.A. 26.3
								EMIT TEST W WT. 257# CU.FT. 10.7
								XRAY CRN E7400.2C CORR ALW SH HD
								WELD DETAILS: M-1932 CODE: ASME SEC. VIII DIV. 1
								STD. TOLERANCES (UNLESS OTHERWISE NOTED): M-2461 LATEST EDITION & ADDENDA



# VERTICAL AIR RECEIVER

DRAWN BY	DATE	SCALE
ECGB		NONE
APP. BY	DATE	DRAWING NO.
ECGB		302419