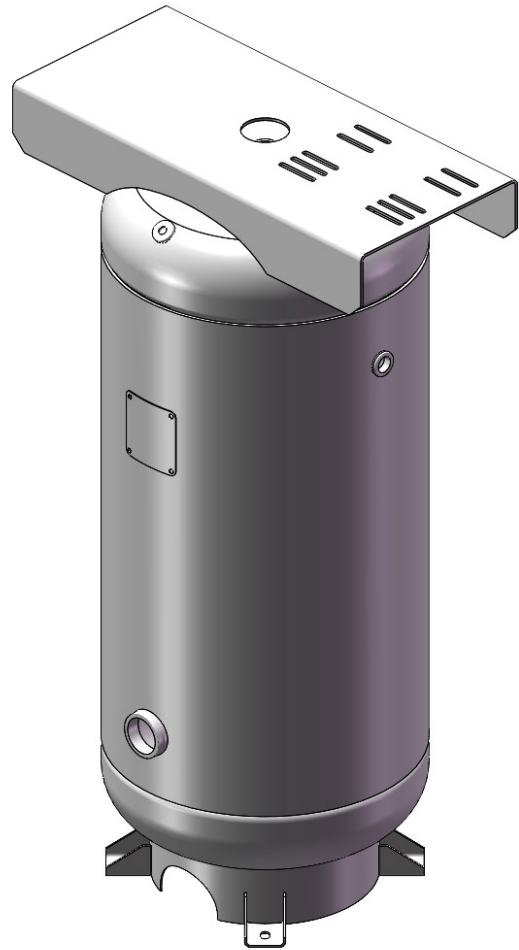
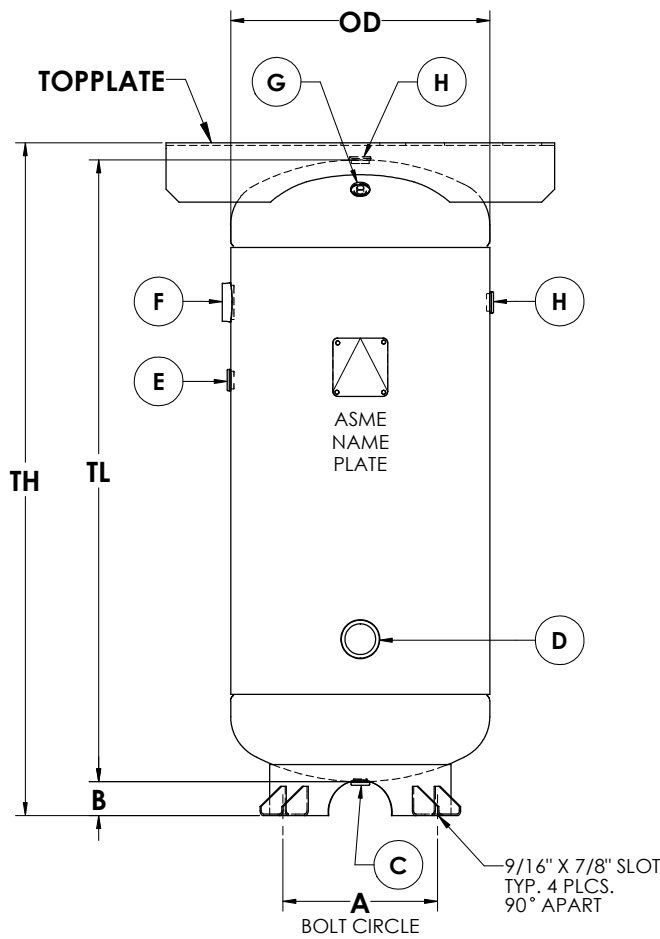


PRESSURE VESSELS & AIR RECEIVERS



Vertical Air Receivers / 10-120 Gallons

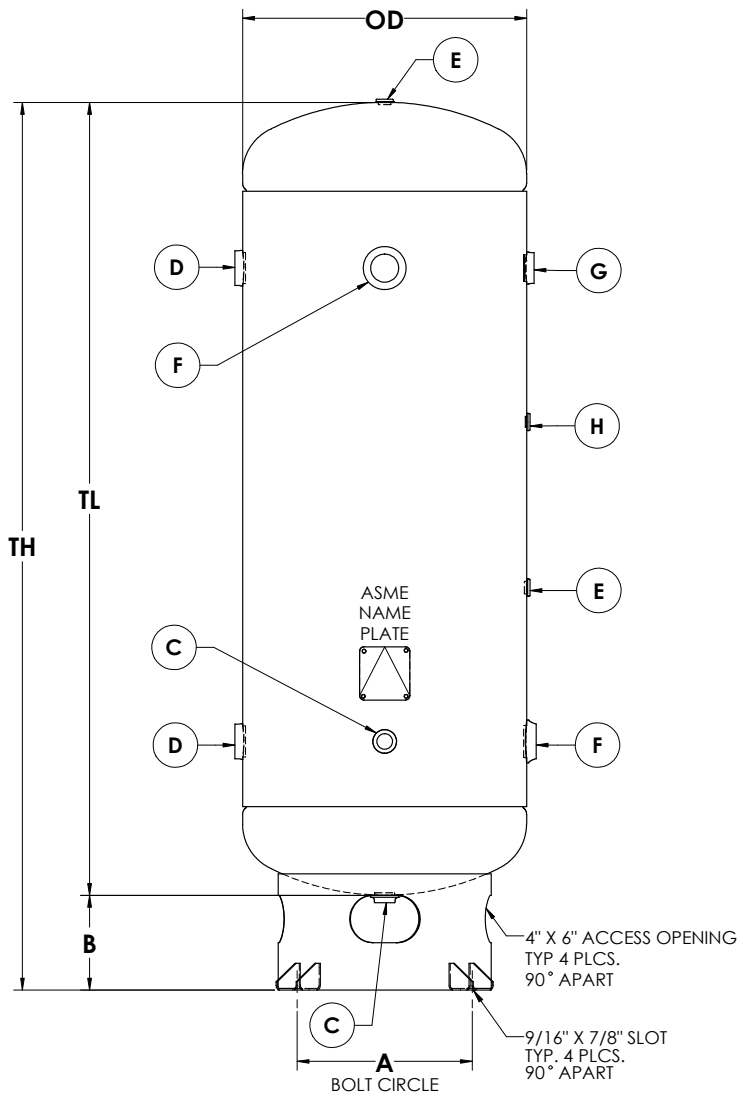


Pressure Vessel & Air Receiver drawings available for download, visit manchestertank.com.

NOM CAP		Part #	MAWP	Top Plate	TW*	DIMENSIONS IN INCHES					NPT OPENINGS					
Gal	Cu Ft					OD	TL	TH	A	B	C	D	E	F	G	H
10	1.34	302400	200	NONE	37	10	30	32.38	11.25	2.38	1/2	N/A	N/A	3/4	1/4	3/4
10	1.34	302401	300	NONE	42	10	30	32.38	11.25	2.38	1/2	N/A	N/A	3/4	1/4	3/4
15	2.01	302402	200	NONE	48	12	33	35.38	12.75	2.38	1/2	N/A	N/A	3/4	1/4	3/4
15	2.01	302403	300	NONE	62	12	33	35.38	12.75	2.38	1/2	N/A	N/A	3/4	1/4	3/4
20	2.67	302404	200	NONE	59	14	33	35.25	15.00	2.25	1/2	1 1/2	N/A	1 1/2	1/4	3/4
20	2.67	302405	300	NONE	93	14	33	35.25	15.00	2.25	1/2	1 1/2	N/A	1 1/2	1/4	3/4
30	4.01	302406	200	NONE	85	16	38	40.81	15.00	2.81	1/2	1 1/2	3/4	1 1/2	1/4	3/4
30	4.01	302407	300	NONE	112	16	38	40.81	15.00	2.81	1/2	1 1/2	3/4	1 1/2	1/4	3/4
30	4.01	302408	200	.18 X 10 X 24	107	16	38	41.81	15.00	2.81	1/2	1 1/2	3/4	1 1/2	1/4	3/4
30	4.01	302409	300	.18 X 10 X 24	134	16	38	41.81	15.00	2.81	1/2	1 1/2	3/4	1 1/2	1/4	3/4
60	8.02	302410	200	NONE	156	20	48	50.69	17.00	2.69	1/2	2	3/4	2	1/4	3/4
60	8.02	302411	300	NONE	240	20	48	50.63	17.00	2.63	1/2	2	3/4	2	1/4	3/4
60	8.02	302412	200	.18 X 13.5 X 30	190	20	48	52.00	17.00	2.69	1/2	2	3/4	2	1/4	3/4
60	8.02	302413	300	.18 X 13.5 X 30	273	20	48	52.00	17.00	2.63	1/2	2	3/4	2	1/4	3/4
80	10.70	302414	200	NONE	200	20	63	65.56	17.00	2.56	1/2	2	1 1/4	2	1/4	1 1/4
80	10.70	302415	300	NONE	303	20	63	65.75	17.00	2.75	1/2	2	1 1/4	2	1/4	1 1/4
80	10.70	302417	200	NONE	220	24	46	49.19	21.00	3.19	1/2	2	1 1/4	2	1/4	1 1/4
80	10.70	302418	300	NONE	317	24	46	49.13	21.00	3.13	1/2	2	1 1/4	2	1/4	1 1/4
80	10.70	302419	200	.18 X 13.5 X 30	257	24	46	51.25	21.00	3.19	1/2	2	1 1/4	2	1/4	1 1/4
80	10.70	302420	300	.18 X 13.5 X 30	354	24	46	51.19	21.00	3.13	1/2	2	1 1/4	2	1/4	1 1/4
120	16.04	302423	200	NONE	366	30	46	54.00	27.00	8.00	1/2	2	2	2	1/4	2
120	16.04	302424	200	.25 X 15 X 40	422	30	46	55.50	27.00	8.00	1/2	2	2	2	1/4	2
120	16.04	302425	300	.25 X 15 X 40	566	30	46	55.50	27.00	8.00	1/2	2	2	2	1/4	2

*Tank weight pounds is calculated, may vary slightly.

Vertical Air Receivers / 120-500 Gallons

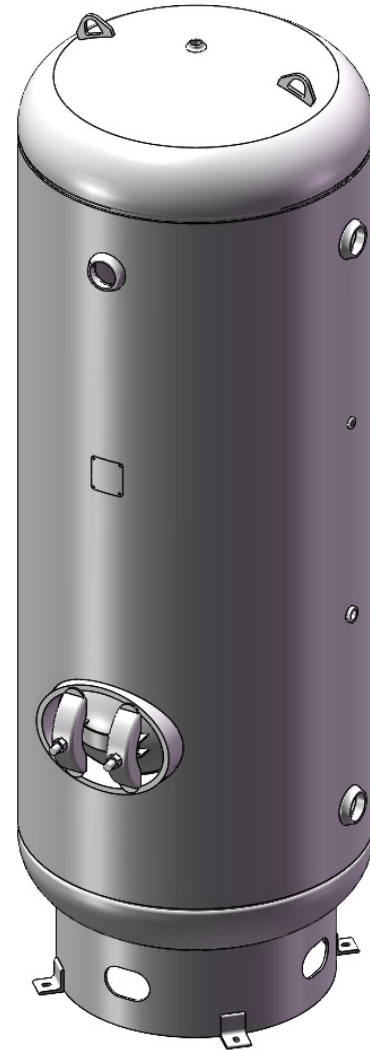
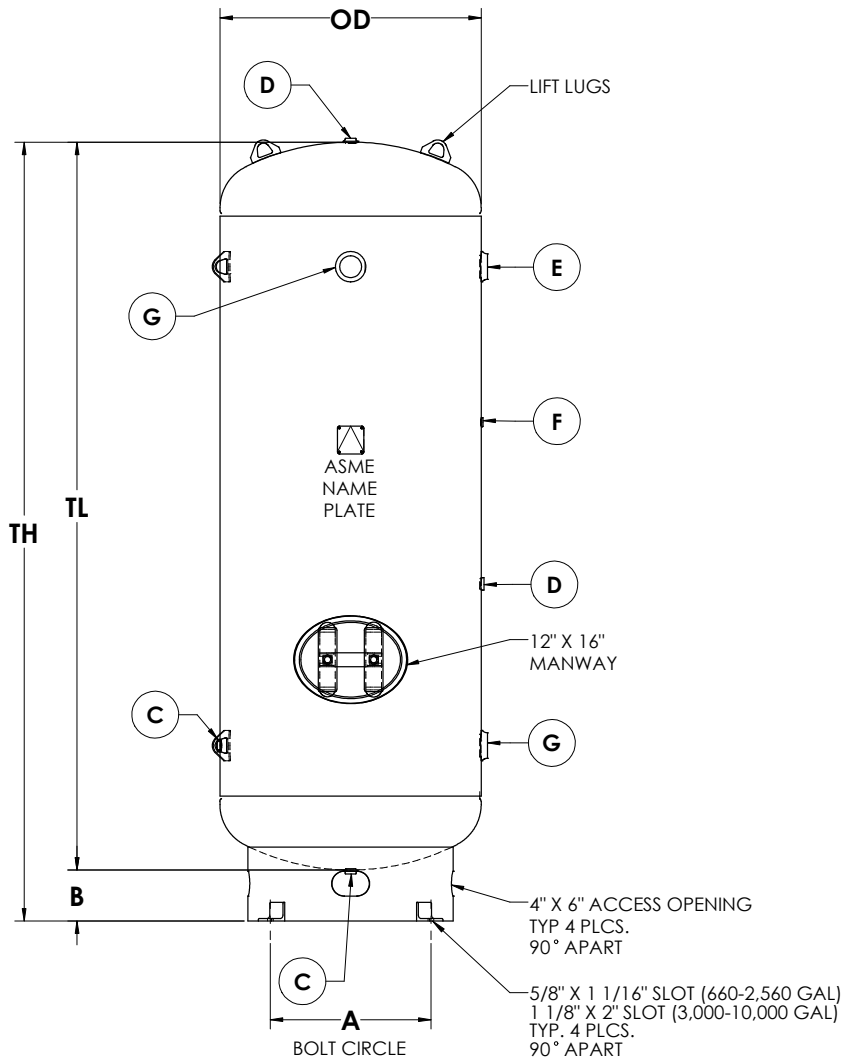


Pressure Vessel & Air Receiver drawings available for download, visit manchestertank.com.

NOM CAP		Part #	MAWP	TW*	DIMENSIONS IN INCHES					NPT OPENINGS					
Gal	Cu Ft				OD	TL	TH	A	B	C	D	E	F	G	H
120	16.04	302421	200	325	24	67	75	21	8	1	2	1/2	2	1 1/2	1/4
120	16.04	302422	300	442	24	67	75	21	8	1	2	1/2	2	1 1/2	1/4
200	26.74	302426	200	533	30	72	80	27	8	1	2	1/2	2	1 1/2	1/4
200	26.74	302427	300	740	30	72	80	27	8	1	2	1/2	2	1 1/2	1/4
240	32.09	302428	200	609	30	84	92	27	8	1	2	1/2	2	1 1/2	1/4
240	32.09	302429	300	845	30	84	92	27	8	1	2	1/2	2	1 1/2	1/4
400	53.48	302432	165	660	36	93	101	33	8	1	2	1/2	3	1 1/2	1/4
400	53.48	302433	200	740	36	93	101	33	8	1	2	1/2	3	1 1/2	1/4
500	66.84	302436	165	800	36	116	124	33	8	1	2	1/2	3	1 1/2	1/4
500	66.84	302437	200	900	36	116	124	33	8	1	2	1/2	3	1 1/2	1/4

*Tank weight pounds is calculated, may vary slightly.

Vertical Air Receiver / 660-10,000 Gallons

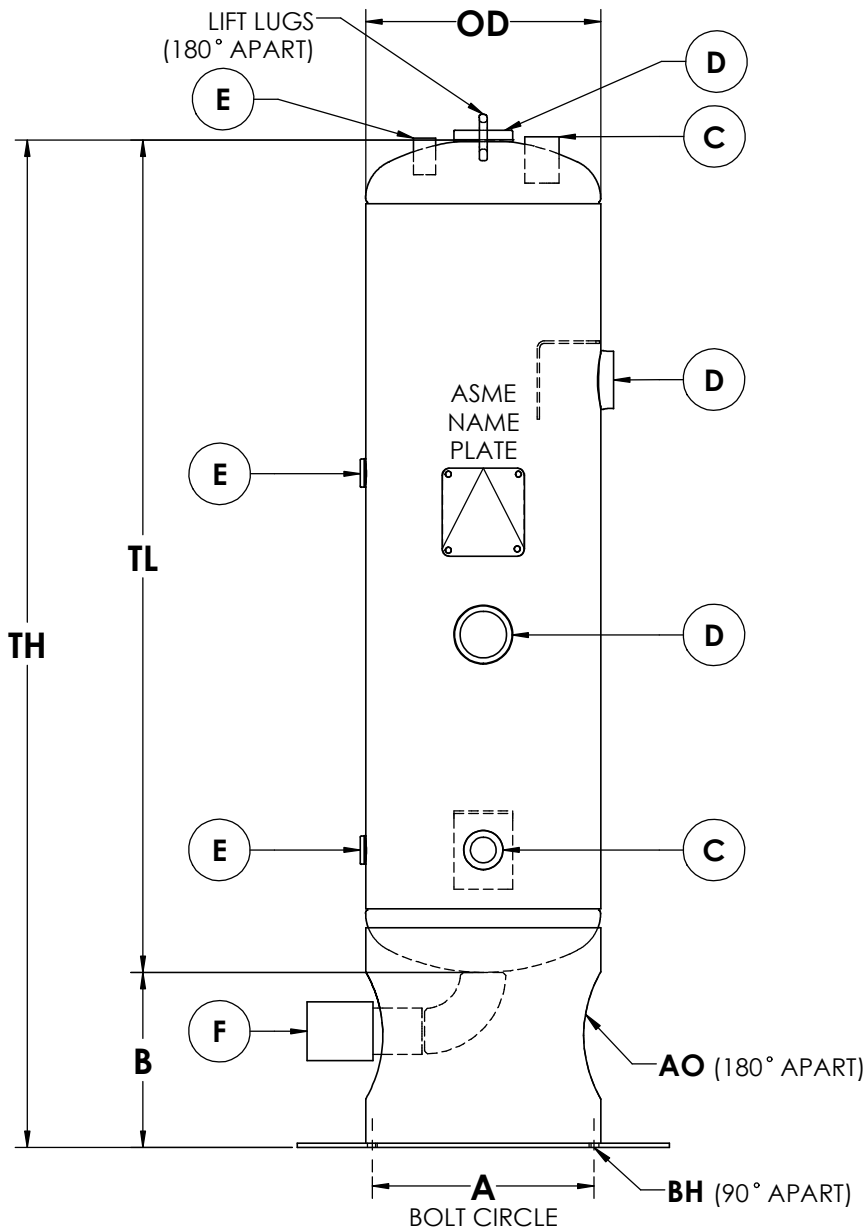


Pressure Vessel & Air Receiver drawings available for download, visit manchestertank.com.

NOM CAP		Part #	MAWP	TW*	DIMENSIONS IN INCHES					NPT OPENINGS				
Gal	Cu Ft				OD	TL	TH	A	B	C	D	E	F	G
660	88.24	302439	165	1365	42	117	125.19	36.50	8.19	1	1	3	1/4	3
660	88.24	302440	200	1425	42	117	125.19	36.50	8.19	1	1	3	1/4	3
1060	141.71	302443	165	2035	48	144	152	42.50	8	1	1	3	1/4	6"RFSO
1060	141.71	302444	200	2350	48	144	152	42.50	8	1	1	3	1/4	6"RFSO
1550	207.22	302446	165	2880	54	166	174	42.50	8	1 1/4	1	3	1/4	6"RFSO
1550	207.22	302447	200	2700	54	166	174	42.50	8	1 1/4	1	3	1/4	6"RFSO
2200	294.12	302449	165	3535	60	190	198	48.50	8	1 1/4	1	3	1/4	6"RFSO
2200	294.12	302450	200	4500	60	190	198	48.50	8	1 1/4	1	3	1/4	6"RFSO
2560	242.25	302452	165	4500	60	220	228	48.50	8	1 1/4	1	3	1/4	6"RFSO
2560	242.25	302453	200	5300	60	220	228	48.50	8	1 1/4	1	3	1/4	6"RFSO
3000	401.07	302454	137	5700	66	214	222	53.00	8	1 1/4	1	3	1/4	6"RFSO
3000	401.07	302455	165	5700	66	214	222	53.00	8	1 1/4	1	3	1/4	6"RFSO
3800	508.02	302457	165	6800	72	228	236	59.00	8	1 1/4	1	3	1/4	6"RFSO
5000	668.45	305653	165	8500	72	305	313	59.00	8	1 1/4	1	3	1/4	6"RFSO
5000	668.45	305995	200	11200	72	305	313	59.00	8	1 1/4	1	3	1/4	6"RFSO
5000	668.45	302459	165	10500	84	232	240	70.00	8	1 1/4	1	3	1/4	6"RFSO
5000	668.45	304718	200	10800	84	232	240	70.00	8	1 1/4	1	3	1/4	6"RFSO
8000	1069.52	305138	150	12300	84	355	363	70.00	8	1 1/4	1	3	1/4	6"RFSO
8000	1069.52	304807	137	14000	96	276	284	78.00	8	1 1/4	1	3	1/4	6"RFSO
10000	1336.90	303970	137	15700	108	275	283	87.00	8	2	1	3	1/4	6"RFSO

*Tank weight pounds is calculated, may vary slightly.

Vertical Gas Scrubber Tanks



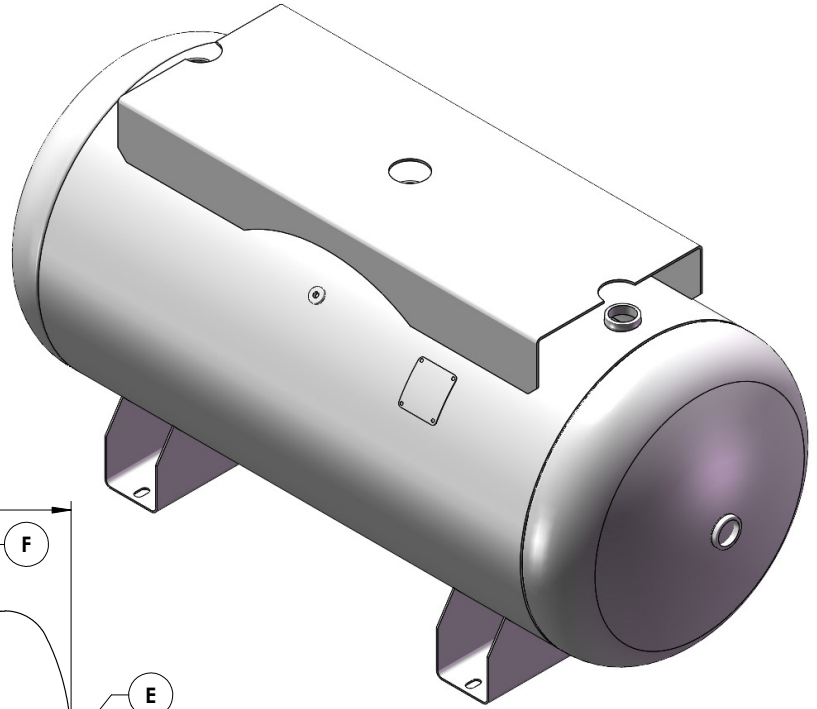
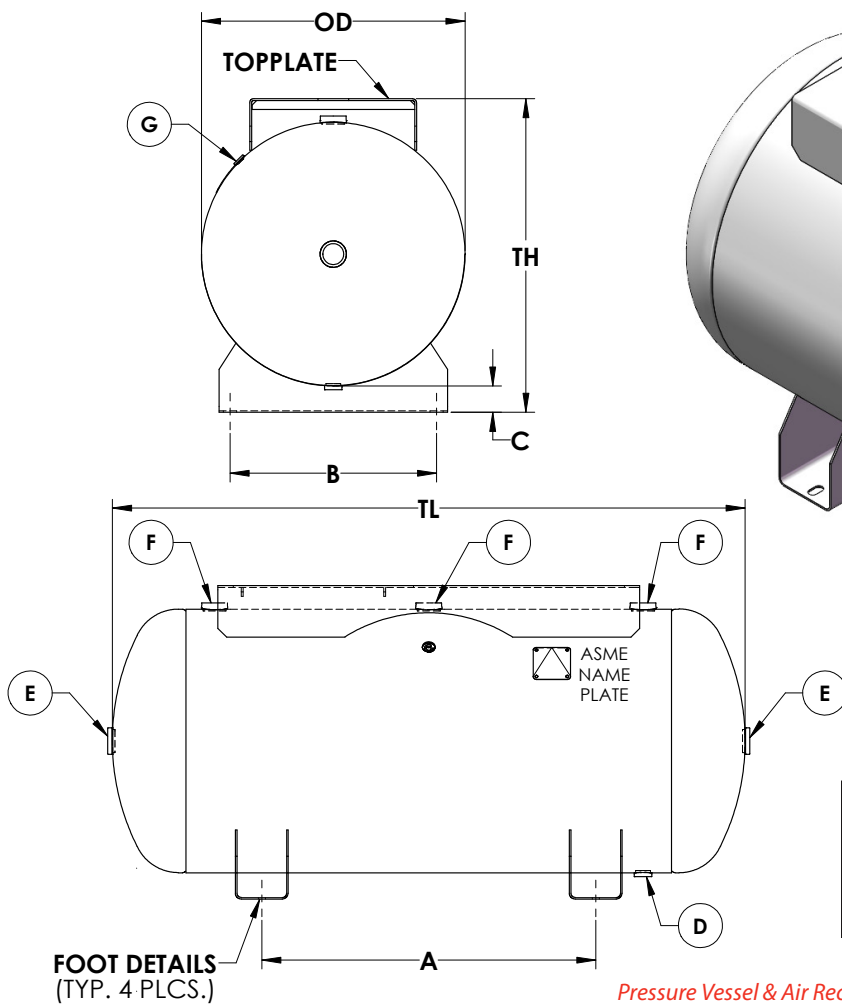
Pressure Vessel & Air Receiver drawings available for download, visit manchestertank.com.

NOM CAP		Part #	MAWP	TW*	DIMENSIONS IN INCHES							NPT OPENING			
Gal	Cu Ft				OD	TL	TH	A	B	AO	BH	C	D	E	F
7.7	1.03	301301**	250	34	10	25.25	27.88	8.5	2.625	-	0.56	1	2	1/2	-
50.5	6.8	309801	250	186	16	62.88	70.63	20	7.75	6	0.75	1	2	1/2	2
18.9	2.5	309811	250	90	12	42.5	51.44	16	.05	6.5	.05	1	2	1/2	2

*Tank weight pounds is calculated, may vary slightly.

**Details for this size vary slightly from depiction above, reference manchestertank.com for download.

Horizontal Air Receivers / 10-240 Gallons



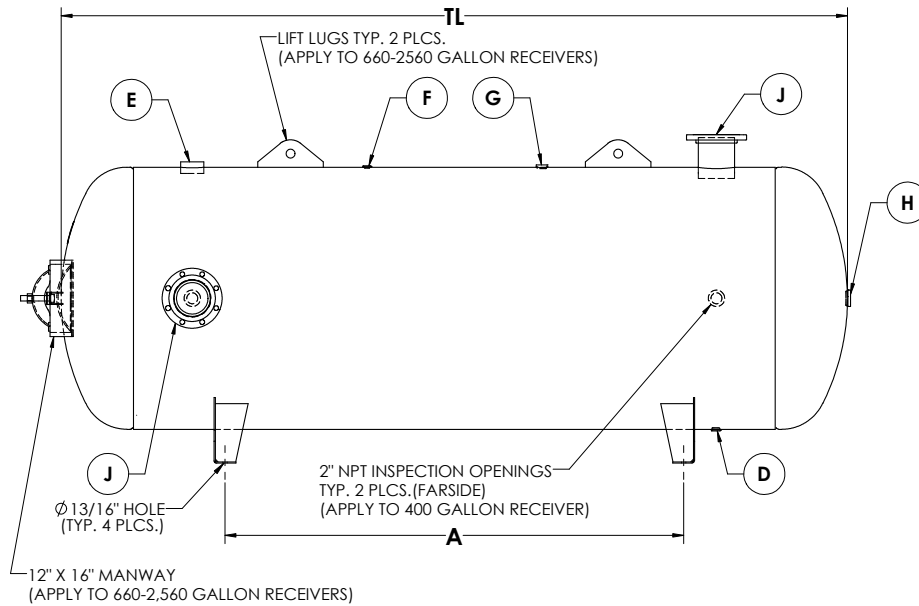
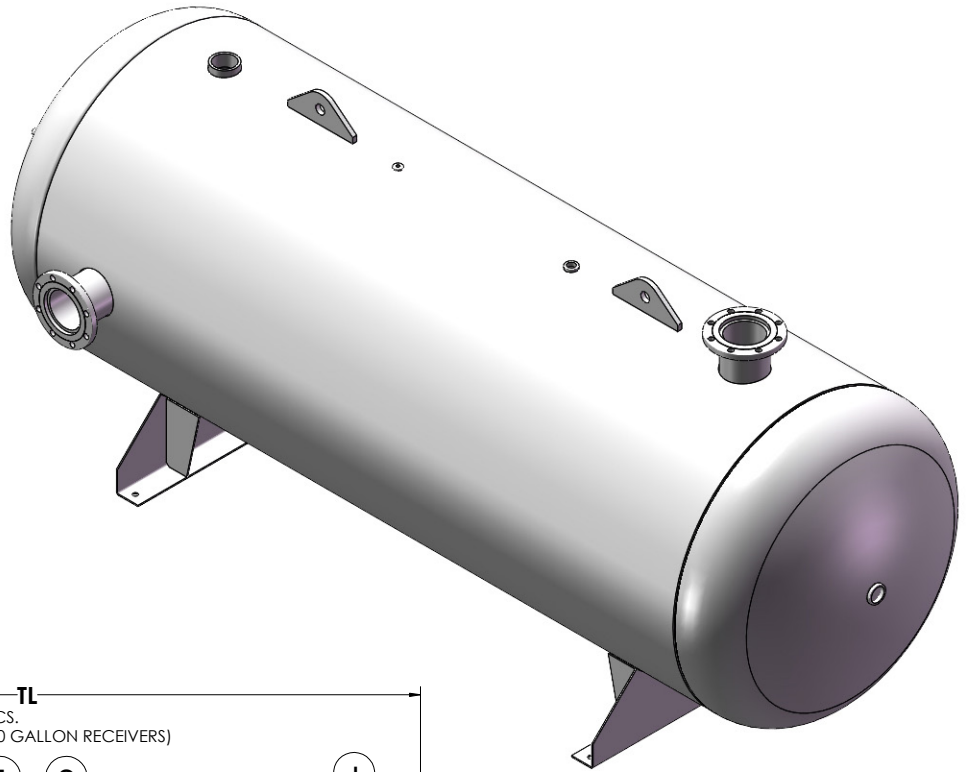
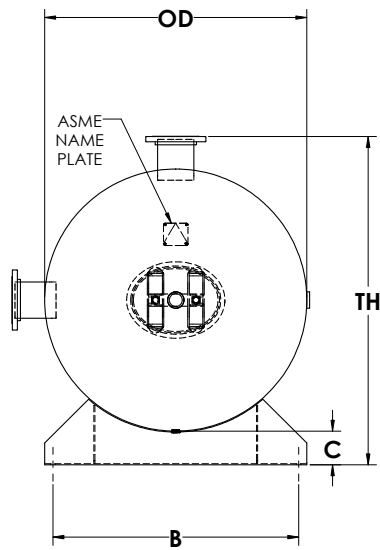
FOOT DETAILS		
10-15 GALLON	7/16" ϕ HOLE	PRESSED STEEL FOOT
20-30 GALLON	7/16" X 3/4" SLOT	WING FOOT
60-80 GALLON	9/16" X 1 1/2" SLOT	WING FOOT
120 GALLON	1 1/16" X 1 3/4" SLOT	WING FOOT
200-240 GALLON	1 3/16" X 1 1/2" SLOT	SADDLE FOOT

Pressure Vessel & Air Receiver drawings available for download, visit manchestertank.com.

NOM CAP		Part #	MAWP	Top Plate	TW*	DIMENSIONS IN INCHES						NPT OPENINGS			
Gal	Cu Ft					OD	TL	TH	A	B	C	D	E	F	G
10	1.34	302460	200	NONE	33	10	30	11.44	18	9.25	1.44	1/4	3/4	1/2	N/A
10	1.34	302461	200	.13 x 9 x 16	43	10	30	12.94	18	9.25	1.44	1/4	3/4	1/2	N/A
10	1.34	302462	300	.13 x 9 x 16	48	10	30	12.94	18	9.25	1.44	1/4	3/4	1/2	N/A
15	2.01	302463	200	NONE	45	12	33	13.06	20	11.00	1.06	1/4	3/4	1/2	N/A
15	2.01	302464	200	.13 x 9 x 18	54	12	33	14.56	20	11.00	1.06	1/4	3/4	1/2	N/A
15	2.01	302465	300	.13 x 9 x 18	66	12	33	14.56	20	11.00	1.06	1/4	3/4	1/2	N/A
20	2.67	302466	200	NONE	60	14	33	16.00	16	11.69	2.00	1/2	1 1/2	1/2	1/4
20	2.67	302467	200	.13 x 9 x 20	72	14	33	18.13	16	11.69	2.13	1/2	1 1/2	1/2	1/4
20	2.67	302468	300	.13 x 9 x 20	108	14	33	18.13	16	11.69	2.13	1/2	1 1/2	1/2	1/4
30	4.01	302469	200	NONE	86	16	38	18.00	20	12.81	2.00	1/2	1 1/2	3/4	1/4
30	4.01	302470	200	.18 x 10 x 24	108	16	38	20.63	20	12.81	2.00	1/2	1 1/2	3/4	1/4
30	4.01	302471	300	.18 x 10 x 24	140	16	40	20.63	20	12.81	2.00	1/2	1 1/2	3/4	1/4
60	8.02	302473	200	NONE	163	20	48	22.31	24	16.50	2.31	1/2	2	3/4	1/4
60	8.02	302474	200	.18 x 13.5 x 30	204	20	48	24.44	24	16.50	2.31	1/2	2	3/4	1/4
60	8.02	302475	300	.18 x 13.5 x 30	280	20	48	24.38	24	16.50	2.25	1/2	2	3/4	1/4
80	10.70	302476	200	NONE	207	20	63	22.31	32	16.50	2.31	1/2	2	1	1/4
80	10.70	302477	200	.25 x 15 x 40	263	20	63	24.13	32	16.50	2.31	1/2	2	1	1/4
80	10.70	302478	300	.25 x 15 x 40	371	20	63	24.00	32	16.50	2.25	1/2	2	1	1/4
120	16.04	302479	200	NONE	310	24	67	26.25	34	20.63	2.25	3/4	2	1 1/2	1/4
120	16.04	302480	200	.25 x 16 x 44	382	24	67	27.94	34	20.63	2.25	3/4	2	1 1/2	1/4
200	26.74	302482	200	NONE	525	30	72	33.00	38	23.50	3.00	1	2	2	1/4
200	26.74	302483	200	.25 x 19 x 48	613	30	72	35.69	38	23.50	3.00	1	2	2	1/4
240	32.09	302484	200	NONE	601	30	84	33.00	44	23.50	3.00	1	2	2	1/4
240	32.09	302485	200	.25 x 19 x 48	689	30	84	35.69	44	23.50	3.00	1	2	2	1/4

*Tank weight pounds is calculated, may vary slightly.

Horizontal Air Receivers / 400-2,560 Gallons

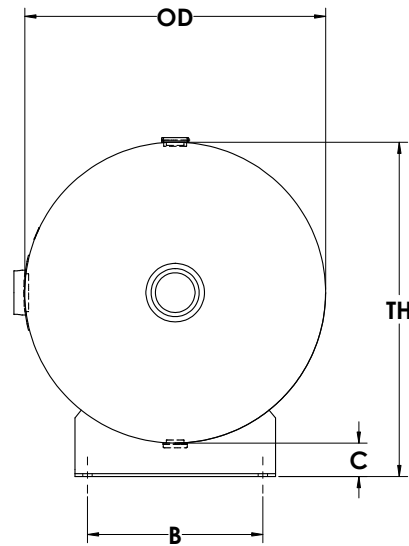
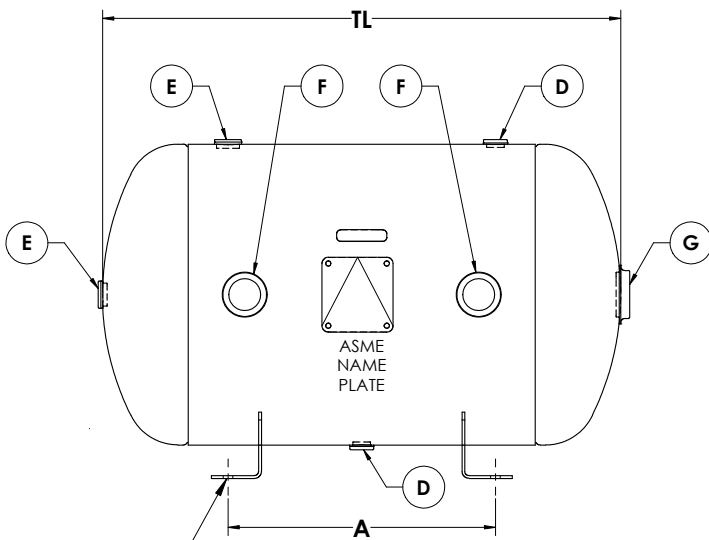
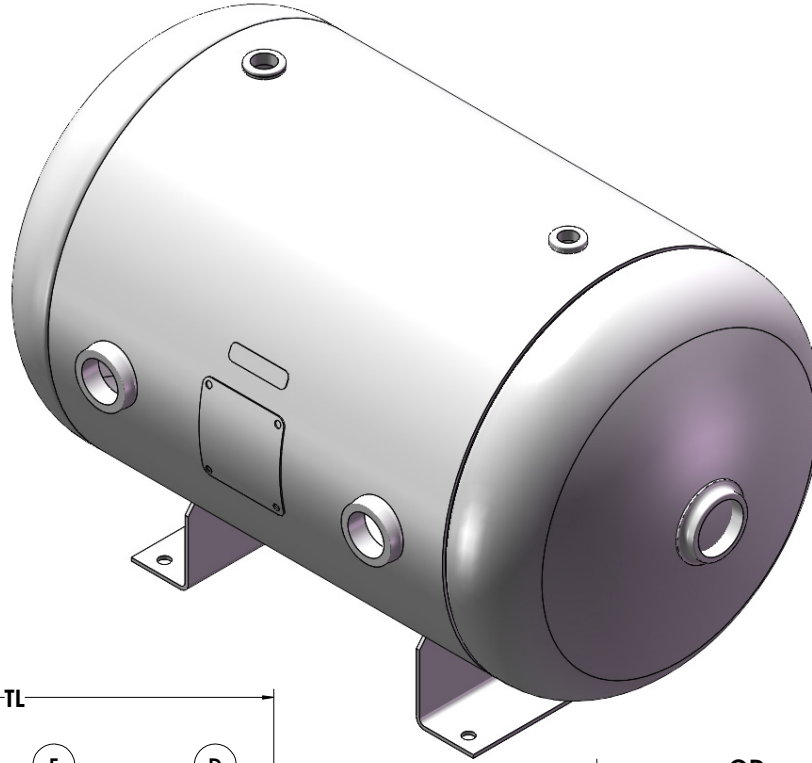


Pressure Vessel & Air Receiver drawings available for download, visit manchestertank.com.

NOM CAP		Part #	MAWP	TW*	DIMENSIONS IN INCHES						NPT OPENINGS					
Gal	Cu Ft				OD	TL	TH	A	B	C	D	E	F	G	H	J
400	53.48	302487	165	667	36	93	42	52	33	6	3/4	1 1/2	1/4	1/2	2	3
400	53.48	302488	200	744	36	93	42	52	33	6	3/4	1 1/2	1/4	1/2	2	3
660	88.23	302490	165	1386	42	117	48	70	39	6	3/4	3	1/4	1	2	3
660	88.23	302491	200	1445	42	117	48	70	39	6	3/4	3	1/4	1	2	3
1060	141.71	302493	165	2000	48	144	60	84	45	6	3/4	3	1/4	1	2	6" RFSO
1060	141.71	302494	200	2135	48	144	60	84	45	6	3/4	3	1/4	1	2	6" RFSO
1550	207.2	302496	165	2600	54	166	66	98	51	6	3/4	3	1/4	1	2	6" RFSO
2200	294.1	302498	165	4036	60	190	72	116	57	6	3/4	3	1/4	1	2	6" RFSO
2560	342.22	302500	165	4336	60	220	72	131	57	6	3/4	3	1/4	1	2	6" RFSO

*Tank weight pounds is calculated, may vary slightly.

Universal Horizontal Air Receivers / 1-30 Gallons



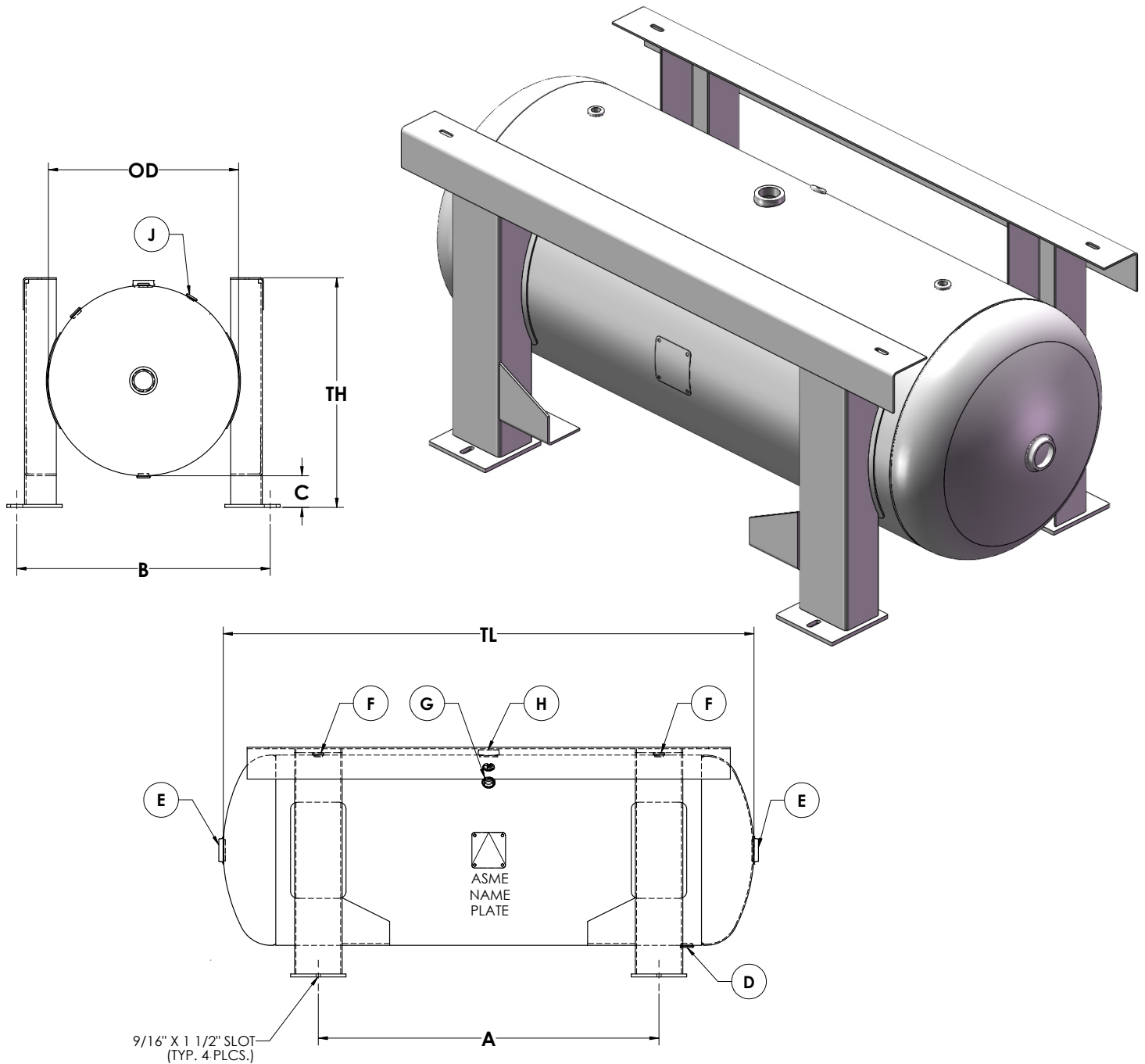
$\varnothing 7/16"$ HOLES (1-15 GALLON)
 $\varnothing 9/16"$ HOLES (19-30 GALLON)
 (TYP. 4 PLCS.)

Pressure Vessel & Air Receiver drawings available for download, visit manchestertank.com.

NOM CAP		Part #	MAWP	TW*	DIMENSIONS IN INCHES						NPT OPENINGS			
Gal	Cu Ft				OD	TL	TH	A	B	C	D	E	F	G
1	0.13	304978	200	12	6	11	8	7	3.5	2	1/2	3/4	3/4	1
2	0.27	304980	200	15	8	11	10	7	4.5	2	1/2	3/4	3/4	1
3	0.40	304982	200	19	8	16	10	10	4.5	2	1/2	3/4	3/4	1
5	0.67	304932	200	22	10	16	12	10	6.5	2	1/2	3/4	3/4	1
7	0.94	304934	200	28	12	17	14	10	6.5	2	1/2	3/4	3/4	1
10	1.34	304936	200	35	12	23	14	10	6.5	2	1/2	3/4	3/4	1
13	1.74	304938	200	44	14	23	16	15	6.5	2	1/2	3/4	1 1/2	1
15	2.01	304940	200	48	14	26	16	15	8.5	2	1/2	3/4	1 1/2	1
19	2.54	304942	200	59	16	25	18	16	8.5	2	1/2	3/4	1 1/2	2
24	3.21	304944	200	72	16	31	18	16	10.5	2	1/2	3/4	1 1/2	2
30	4.01	304946	200	97	18	31	20	16	10.5	2	1/2	3/4	1 1/2	2

*Tank weight pounds is calculated, may vary slightly.

Horizontal Grasshopper Tanks / 30-240 Gallons

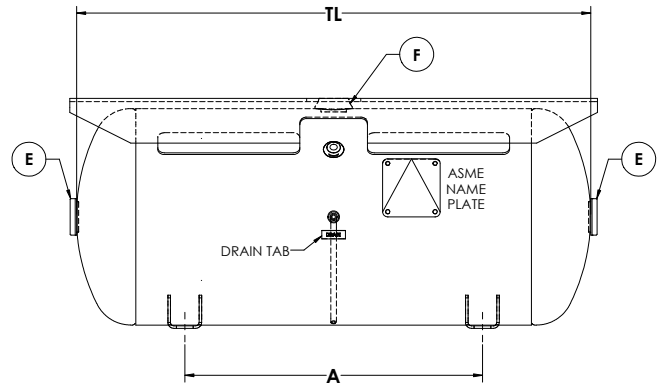
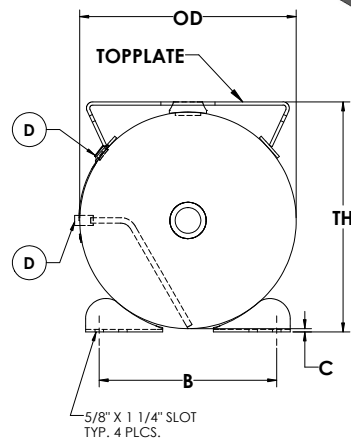
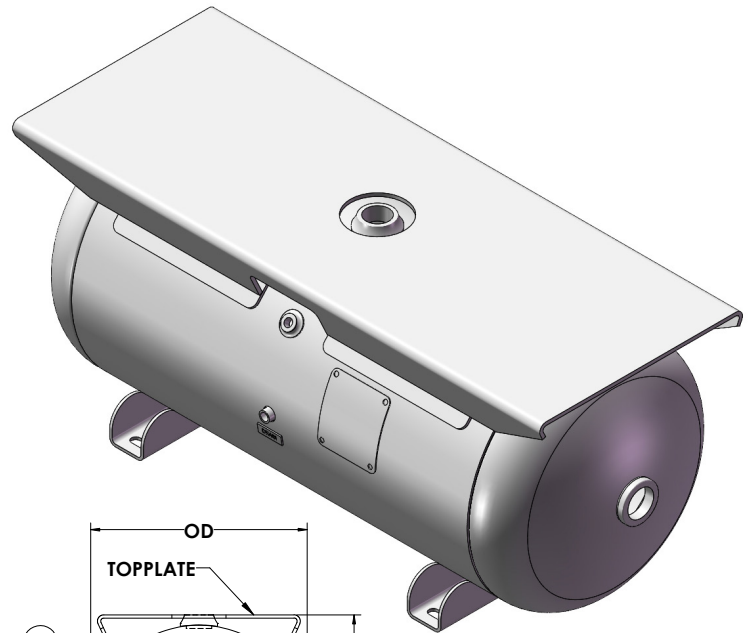
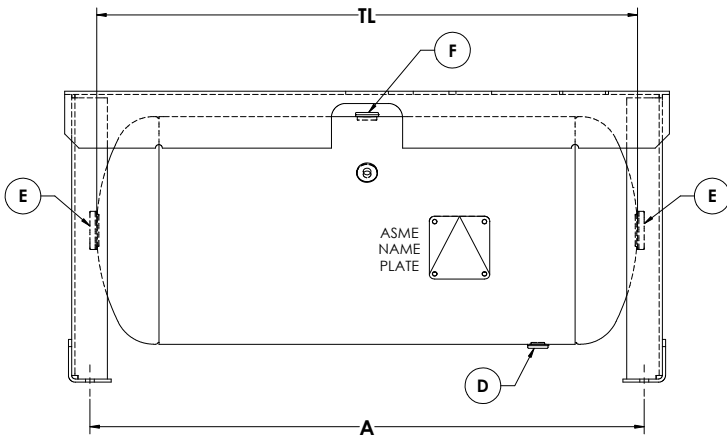
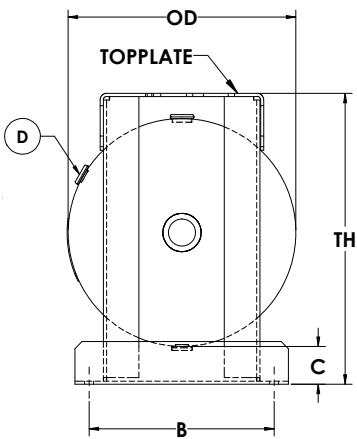
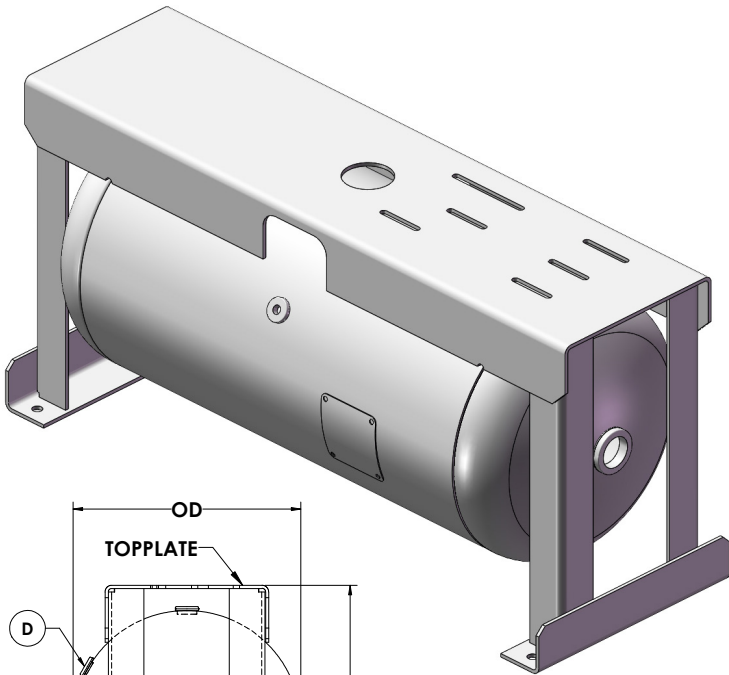


Pressure Vessel & Air Receiver drawings available for download, visit manchestertank.com.

NOM CAP		Part #	MAWP	TW*	DIMENSIONS IN INCHES						NPT OPENINGS					
Gal	Cu Ft				OD	TL	TH	A	B	C	D	E	F	G	H	J
30	4.01	305438	200	125	16	38	21	22	22.0	4	1/4	1 1/2	1/2	3/4	1 1/2	1/8
60	8.02	305439	200	221	20	48	25	27	26.5	4	3/4	2	1/2	3/4	1 1/2	1/8
80	10.70	305440	200	273	20	63	25	42	26.5	4	3/4	2	1/2	3/4	1 1/2	1/8
120	16.04	302481	200	441	24	67	29	43	32.0	4	3/4	2	1/2	3/4	1 1/2	1/8
200	26.74	302643	200	743	30	72	35	42	40.0	4	1	2	1/2	3/4	1 1/2	1/8
240	32.09	302652	200	824	30	84	35	54	40.0	4	1	2	1/2	3/4	1 1/2	1/8

*Tank weight pounds is calculated, may vary slightly.

Horizontal Gas Driven Tanks



Pressure Vessel & Air Receiver drawings available for download, visit manchestertank.com.

NOM CAP		Part #	MAWP	Top Plate	TW*
Gal	Cu Ft				
30	4.01	34917	200	.25 x 11.5 x 42.5	161

DIMENSIONS IN INCHES						NPT OPENINGS		
OD	TL	TH	A	B	C	D	E	F
16	38	20.56	38.94	13.00	2.75	1/4	1 1/2	3/4

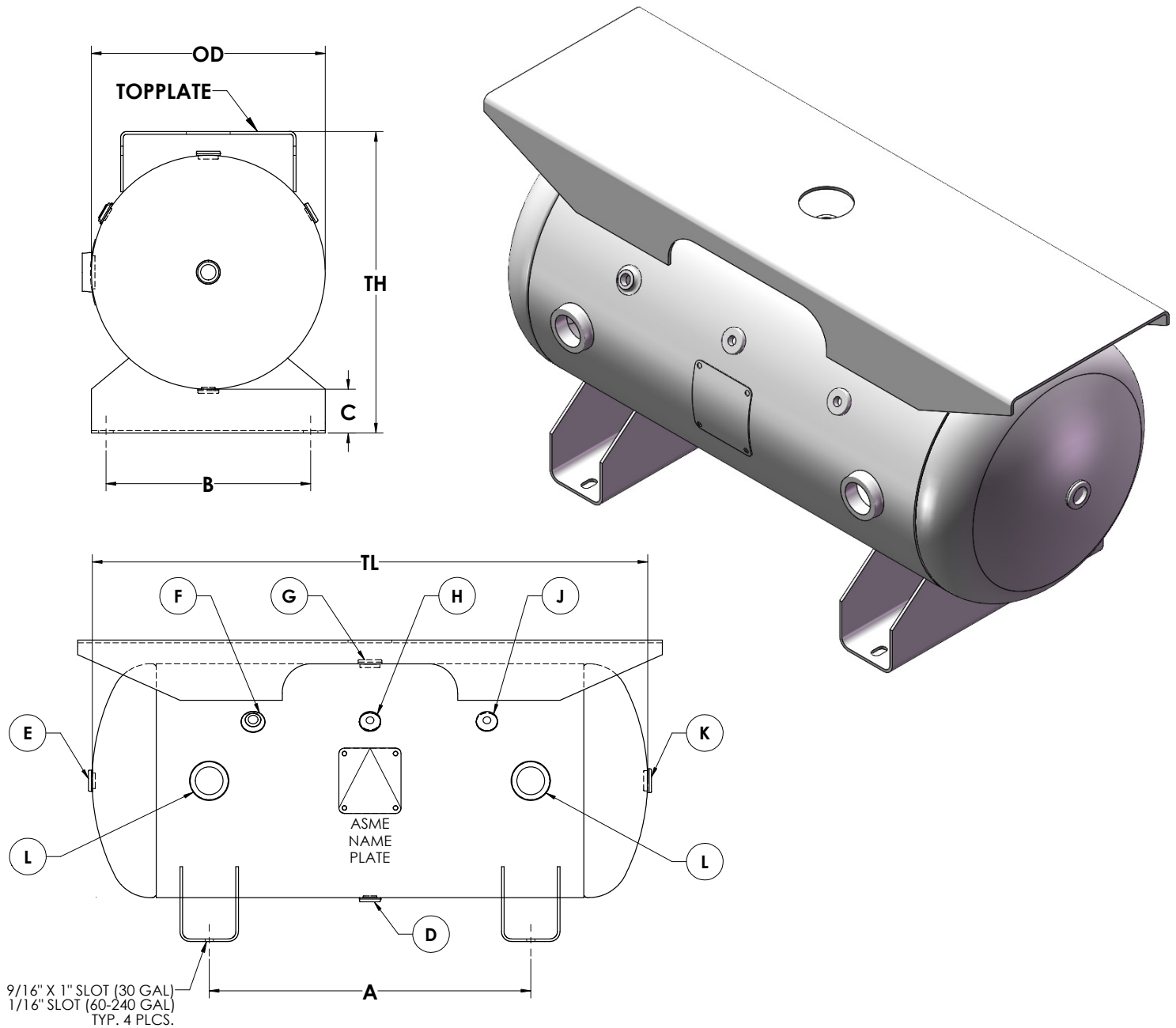
Part # 34917 approved for use in California

NOM CAP		Part #	MAWP	Top Plate	TW*
Gal	Cu Ft				
30	4.01	302472	200	.25 x 15 x 39	139

DIMENSIONS IN INCHES						NPT OPENINGS		
OD	TL	TH	A	B	C	D	E	F
16	38	17.19	22.00	13.13	0.31	1/4	1 1/2	1 1/4

*Tank weight pounds is calculated, may vary slightly.

Extended Top Plate Horizontal Air Receivers / 30-240 Gallons



Pressure Vessel & Air Receiver drawings available for download, visit manchestertank.com.

NOM CAP		Part #	MAWP	Top Plate	TW*	DIMENSIONS IN INCHES						NPT OPENINGS							
Gal	Cu Ft					OD	TL	TH	A	B	C	D	E	F	G	H	J	K	L
30	4.01	302686	200	.18 x 12 x 40	129	16	38	20.63	22	14	3	1/4	1/2	3/8	3/4	1/4	1/4	3/4	1 1/2
60	8.02	302693	200	.25 x 16 x 54	266	20	48	25.56	26	18	4	1/2	1/2	3/8	1	1/4	1/4	1	3/4
80	10.7	303977	200	.25 x 16 x 69	334	20	63	25.63	36	18	4	3/4	3/4	3/8	1 1/2	1/4	1/4	1 1/4	3/4
120	16.04	302700	200	.25 x 16 x 74	438	24	69	29.63	42	22	4	3/4	1	3/8	1 1/2	1/4	1/2	1 1/2	3/4
200	26.74	302701	200	.25 x 18 x 86	684	30	72	35.75	42	28	4	1	1	3/8	3/4	1/4	1/2	2	3/4
240	32.09	303181	200	.25 x 18 x 86	763	30	84	35.75	54	28	4	1	1	3/8	2	1/4	1/2	2	3/4

*Tank weight pounds is calculated, may vary slightly.

MANCHESTER TANK & EQUIPMENT CO., a division of McWane, Inc., is the premier manufacturer of pressure vessels for the containment of propane, compressed air, and chemical applications. Manchester Tank's mission is to set the industry standard for quality and reliability while providing customers with the resources, service and technical support necessary to be profitable in an increasingly competitive global market.

Pressure Vessel Codes & Registrations:

The items listed in this catalog have been designed and constructed in accordance with the ASME Section VIII Division I Code latest edition and are registered with the National Board of Pressure Vessels Inspectors. Most of the items listed in this catalog are also approved for use in Canada (CRN).

Manchester Tank has the capability to also design and construct pressure vessels to many other codes, such as:

- Department of Transportation (DOT)
- Transport Canada (TC)
- European Pressure Equipment Directive (PED)
- European Transportable Pressure Equipment Directive (TPED)
- Malaysia - Department of Occupational & Health (DOSH)
- Singapore - Ministry of Manpower (MOM)
- Australia Design Approval
- Brazilian NR-13
- UN-Portable
- Intermediate Bulk Container (IBC)
- And many other international codes

Manufacturing Capabilities:

Manchester Tank is capable of producing pressure vessels made from carbon steel and stainless steel material with sizes ranging from 3" diameter at 3,000 PSI to 120" diameter at 200 PSI.

Engineering Capabilities:

Manchester Tank's engineering professionals are highly trained in AutoCAD and SolidWorks 3D CAD to support your organization's technical design requirements. Our team is committed to fulfilling your custom equipment needs in a timely manner.

Paint Specifications:

The exterior surface of the items listed in this catalog have been painted with one coat of standard shop primer to serve as a rust preventative. A wide variety of custom interior and exterior coatings are available.

For your convenience, Manchester Tank's standard Pressure Vessels & Air Receiver drawings are available for download. Visit Manchester Tank's website at manchestertank.com

Check with your local authorities having jurisdiction over pressure vessels codes and standards for any requirements concerning installation, in-service inspection and maintenance.

US Manufacturing Operations

901 New Columbia Road • Campbellsville, KY 42718

3400 Wismann Lane • Quincy, IL 62301

Distribution

885 Fairway Drive • Walnut, CA 91789

14300 60th Street North • Clearwater, FL 33760

1300 West Crosby Road • Carrollton, TX 75006

11 Bloomer Street • Tillsonburg, ON N4G 2M1 Canada

Customer Service

Campbellsville, Kentucky Customer Service
P: 800-399-5628 F: 800-877-9988

Quincy, Illinois Customer Service
P: 800-926-2791 F: 217-224-2604



Manchester Tank & Equipment Co.

1000 Corporate Centre Drive, Suite 300
Franklin, TN 37067

manchestertank.com