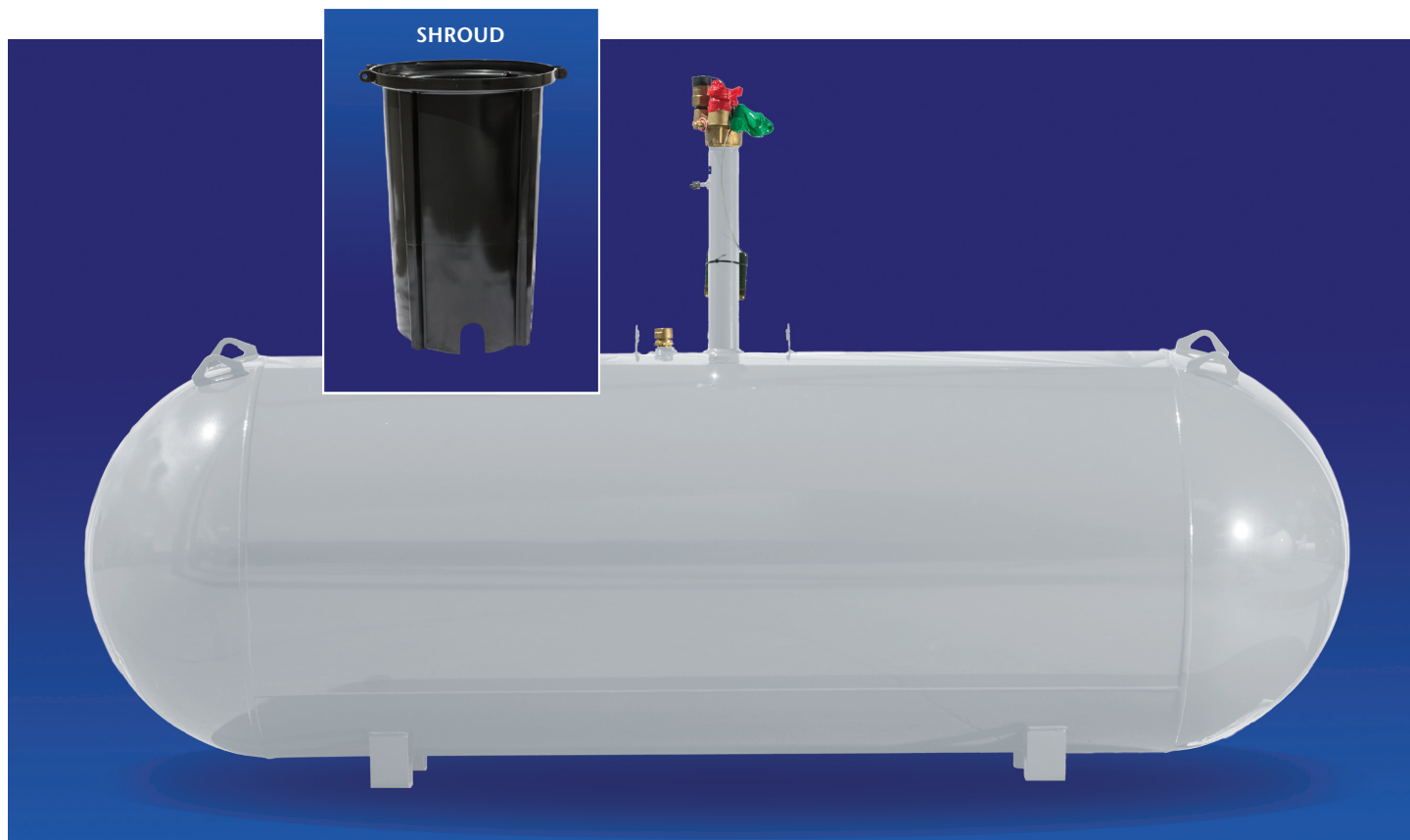




UNDERGROUND PROPANE STORAGE TANKS 120 - 1000 Gallons



PRESSURE VESSEL CODES & REGISTRATION

- Designed and constructed in accordance with the ASME Section VIII Division I Code
- Registered with the National Board of Boiler & Pressure Vessels Inspectors
- Complies with NFPA 58
- Conforms to specifications set forth by the Railroad Commission of Texas

PAINT SPECIFICATIONS

- Epoxy powder paint for maximum rust protection
- Tanks painted gray
- Ready to bury durable epoxy powder coating*



MADE IN THE U.S.A.

MANCHESTER TANK & EQUIPMENT CO.
mantank.com

VESSEL FEATURES

- Tanks fully fitted with RegO valves and Rochester liquid level gauges
- Container pressure rated at 250 PSI @ 400°F
- Vacuum pre-purged
- Duplicate data plate is zip tied on the riser pipe below the anode bolt connection for convenience
- Product is offered with 14" short or 28" tall risers
- Anode bolt connection located under the dome
- Short or tall plastic shroud assemblies (w/lid) supplied accordingly
- #54 liquid level outage valve orifice
- Made in the U.S.A

PROCESS CONTROL

All welded products are x-rayed and pressure tested @ 325 PSI per ASME Sec VII, Div I requirements, followed by rigorous leak test inspections, both pre and post valving

GENERAL MAINTENANCE REQUIREMENTS

Contact Propane Education & Research Council for additional resources and information at usepropane.com



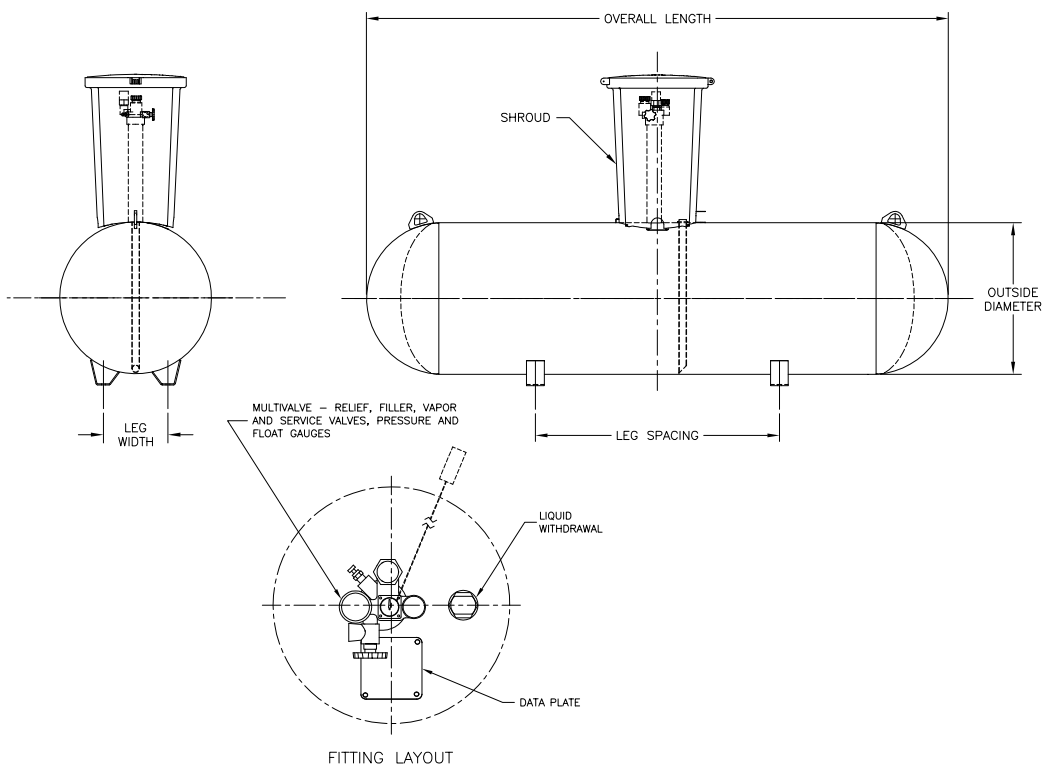
UNDERGROUND PROPANE STORAGE TANKS 120 - 1000 Gallons

UNDERGROUND VESSEL DIMENSIONS & SPECIFICATIONS

(All Vessel Dimensions are Approximate)

Part Number	Description	Water Capacity Gal/l	Outside Diameter In/mm	Head Type	Overall Length In/mm	Overall Riser Height In/mm		Leg Width In/mm	Leg Spacing In/mm	Weight Lbs/kg	Quantity	
						14" Riser	28" Riser				Full Load	Per Stack
68289	120 Gallon Underground LR Storage Tank	120 454.2	24" 609.6	Ellip	5' 8" 1727.2	— —	4' 4 1/4" 1327.15	10 1/8" 257.3	3' 0" 914.4	313 142	63	9
68269	120 Gallon Underground SR Storage Tank	120 454.2	24" 609.6	Ellip	5' 8" 1727.2	3' 8 1/16" 1119.2	— —	10 1/8" 257.3	3' 0" 914.4	304 137.9	72	9
68288	250 Gallon Underground LR Storage Tank	250 946.3	30" 762	Hemi	7' 10" 2387.6	— —	5' 5/8" 1539.9	12 3/4" 323.9	6" 1066.8	484 219.5	35	7
68271	250 Gallon Underground SR Storage Tank	250 946.3	30" 762	Hemi	7' 10" 2387.6	4' 2 1/16" 1271.6	— —	12 3/4" 323.9	6" 1066.8	475 215.5	42	7
68273	320 Gallon Underground LR Storage Tank	320 1211.3	30" 762	Hemi	9' 7" 2921	— —	5' 1 7/16" 1560.5	3/4" 323.9	4' 0 1/4" 1225.6	597 270.8	35	7
68285	320 Gallon Underground SR Storage Tank	320 1211.3	30" 762	Hemi	9' 7" 2921	4' 2 7/8" 1292.2	— —	12 3/4" 323.9	4' 0 1/4" 1225.6	593 269	35	7
68275	500 Gallon Underground LR Storage Tank	500 1892.7	37.5" 952.5	Hemi	9' 10" 2997.2	— —	5' 8 3/4" 1746.3	15" 381	5' 0" 1524	953 432.3	25	5
68286	500 Gallon Underground SR Storage Tank	500 1892.7	37.5" 952.5	Hemi	9' 10" 2997.2	4' 10 1/4" 1479.6	— —	15" 381	5' 0" 1524	949 430.5	25	5
68277	1000 Gallon Underground LR Storage Tank	1000 3785.4	41" 1041.4	Hemi	15' 11" 4851.4	— —	6' 0 1/4" 1835.2	16 1/4" 412.8	9' 0" 2743.2	1812 821.9	12	4
68287	1000 Gallon Underground SR Storage Tank	1000 3785.4	41" 1041.4	Hemi	15' 11" 4851.4	5' 1 11/16" 1566.9	— —	16 1/4" 412.8	9' 0" 2743.2	1808 820.1	12	4

* Federal, state or local regulations may contain specific applicable requirements for protective coatings and cathodic protection. The purchaser and installer are responsible for compliance with such federal, state, local and NFPA industry regulations, including, but not limited to, proper purging prior to putting into service. Cathodic protection is required. Coating (s) must be continuous, uninterrupted and must comply with local, state or national codes or regulations.



MADE IN THE U.S.A.