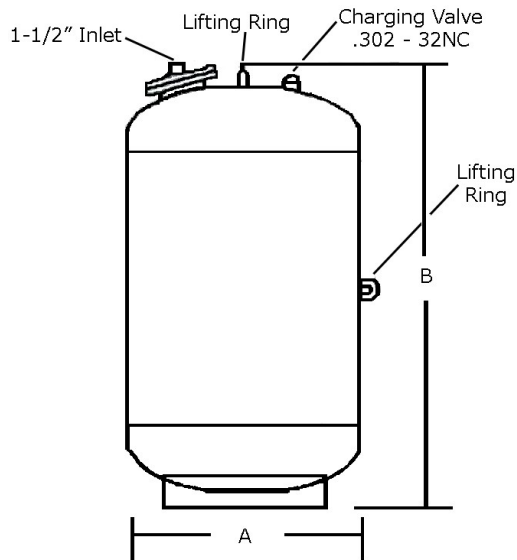


ASME "Top Feed" Bladder Expansion Tanks

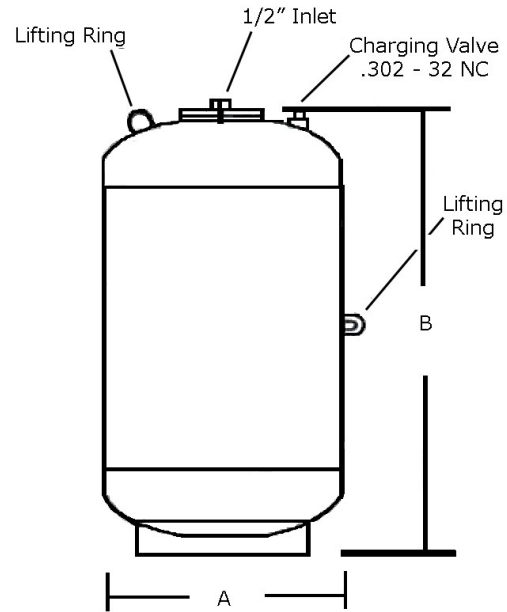
Features

- Removable and replaceable heavy-duty butyl rubber bladder
- Economical "Partial Acceptance" for small installations and chilled water applications
- "Full Acceptance" for larger expanded fluid volumes
- ASME constructed and stamped
- Maximum Design Pressure 125 PSI
- Maximum Design Temperature 240°F



Options

- Higher working pressures
- Epoxy coated and stainless steel covers
- Seismic mounting clips
- "Bulls Eye Sight Glass"



Full Acceptance

Part Number	Tank Volume Gallons	Inches		Shipping Weight
		A	B	
302751	36	20	39 1/2	195
302752	57	20	54	290
303168	82	24	57 1/8	320
302753	120	24	78 3/8	400
302755	165	30	69 3/4	460
302756	220	30	88 1/4	590
302800	271	36	79 3/4	790
302757	324	36	91 3/4	940
302758	377	36	104	1,020
302759	440	48	78 1/8	1,380
302760	550	48	90 1/8	1,650

Partial Acceptance

Part Number	Tank Volume Gallons		Inches		Shipping Weight
	Total	Acceptance	A	B	
302763	8	5	14	22	90
302764	12	5	14	27	105
302765	26	12	16	41	150
302766	35	19	16	52	200
302767	46	24	16	64	240
302768	58	34	20	54	250
302769	68	34	20	62	280
303107	82	43	24	55	300
302770	100	43	24	65	330
302801	115	61	24	72	380
302771	137	61	24	83	425

Phone: 800-399-5628

www.mantank.com