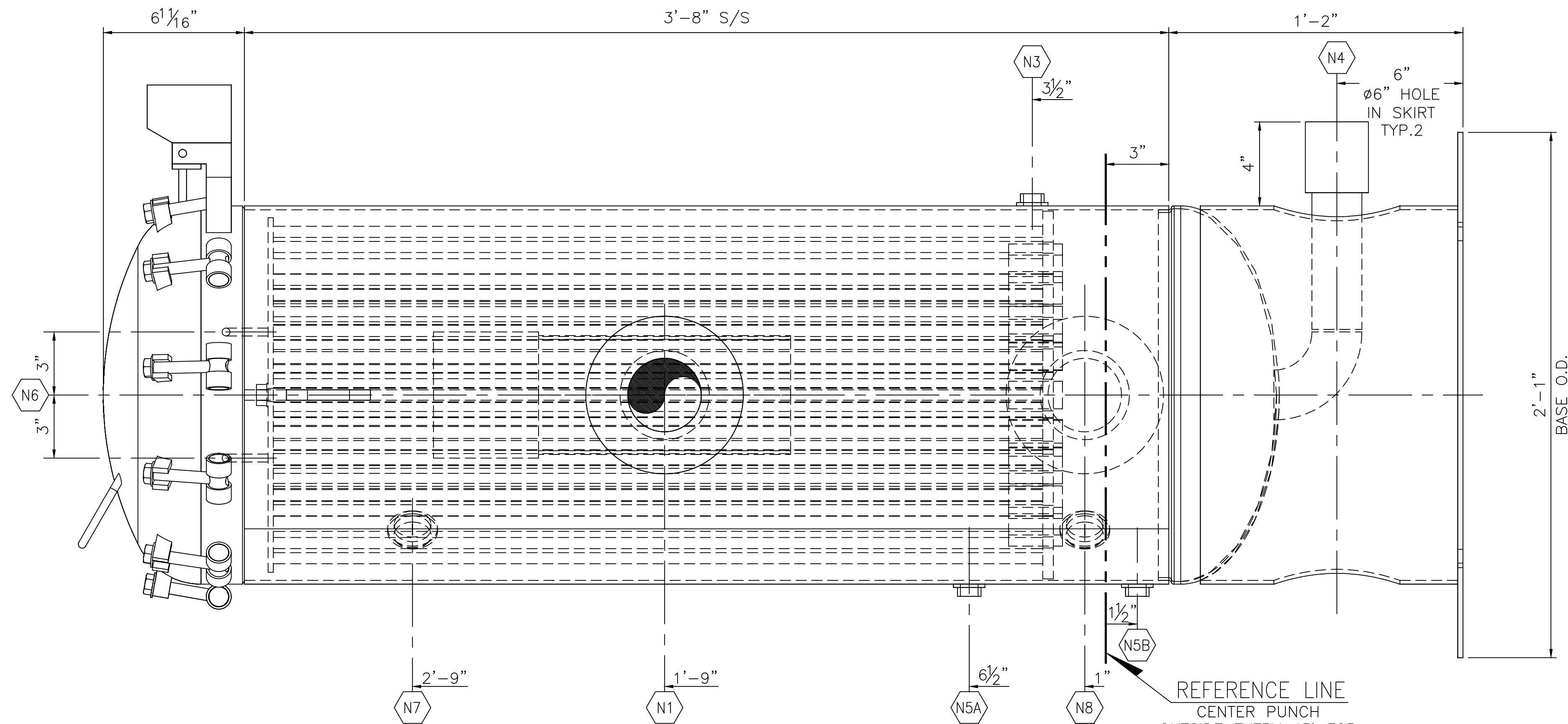
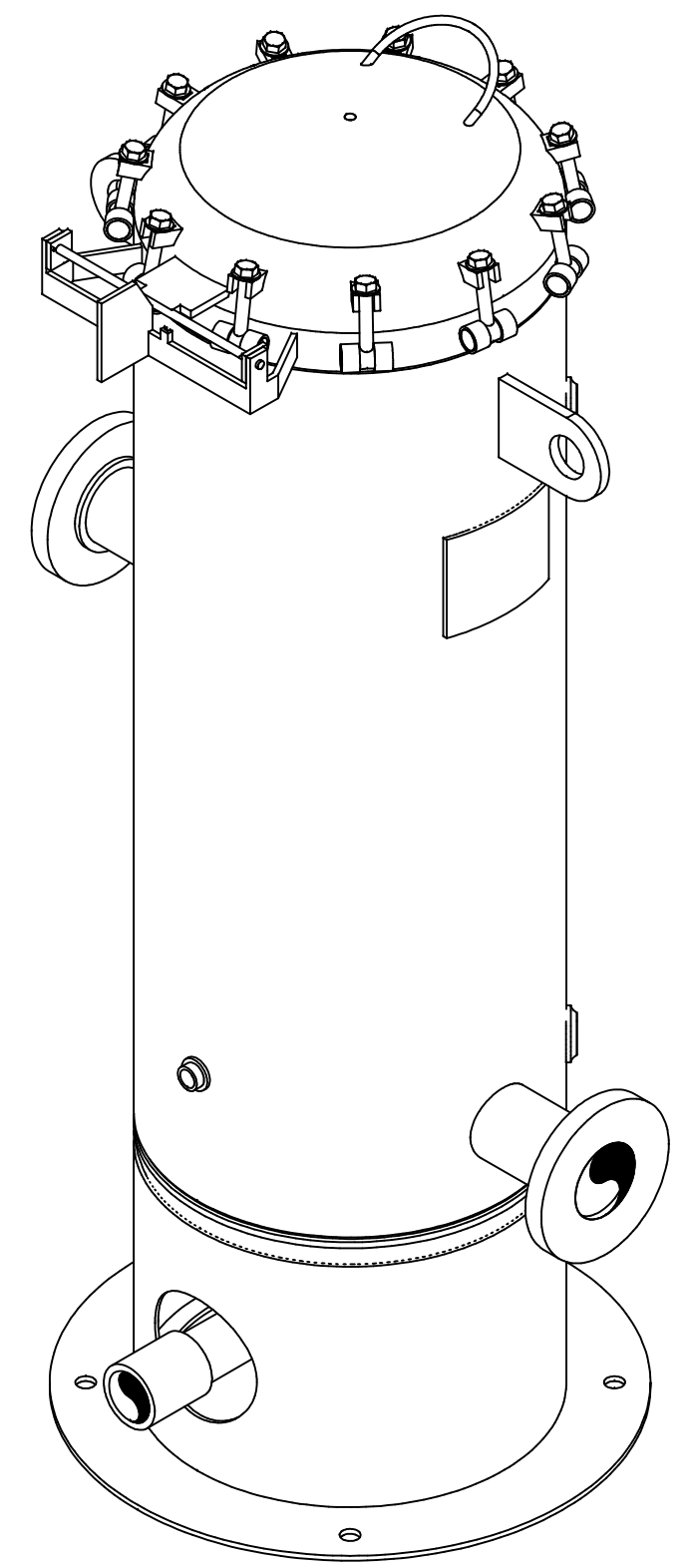


PLAN VIEW
SCALE 3" = 1'-0"
CLOSURE REMOVED FOR CLARITY
(TRUE ORIENTATION)



ELEVATION VIEW
SCALE 3" = 1'-0"

REFERENCE LINE
CENTER PUNCH
OUTSIDE EVERY 45° FOR
PERMANENT REFERENCE.
ALL TAIL DIMENSIONS
ARE TO THIS LINE.



ISOMETRIC VIEW
SCALE NONE

MARK	REQ'D.	SIZE	RATING & TYPE	SERVICE	NECK O.D.	NECK SCH.	O.S. PROJECTION	I.S.	REINF. PAD SIZE	WELDING DETAIL NO.	A	B	C
N8	1	1"	1500# NPT	PSV AUX	-	-	-	-	-	W13	3/16"	-	-
N7	1	1"	1500# NPT	PSV	-	-	-	-	-	W13	3/16"	-	-
N6	1	1 1/2"	NPT	VENT (SUPPLIED WITH CLOSURE)	-	-	-	-	-	-	-	-	-
N5B	1	1 1/2"	1500# NPT	DPI	-	-	-	-	-	W13	3/16"	-	-
N5A	1	1 1/2"	1500# NPT	DPI	-	-	-	-	-	W13	3/16"	-	-
N4	1	2"	3000# CPLG	LOWER DRAIN	-	-	FLUSH	-	-	W3	3/16"	-	-
N3	1	1 1/2"	1500# NPT	UPPER DRAIN	-	-	-	-	-	W13	3/16"	-	-
N2	1	3"	150# RFSO	OUTLET	3.50"	S/40	6.00"	1.00"	-	W2/W7	3/16"	-	-
N1	1	3"	150# RFSO	INLET	3.50"	S/40	6.00"	1.00"	-	W2/W7	3/16"	-	-

NOZZLE SCHEDULE & WELDING DETAILS

NOZZLE NOTES: 1) DRILL AND TAP 1/4" N.P.T. HOLE IN REINFORCING PADS. 2) INSIDE EDGES OF NOZZLE NECKS SHALL BE ROUNDED TO 1/8" RAD. OR HALF THE WALL THICKNESS IF LESS THAN 1/4". 3) GOUGE, GRIND OR CHIP INSIDE TO SOUND METAL BEFORE MAKING WELD "b". 4) NOZZLE PROJ. ARE FROM SHORT SIDE.

NAMEPLATE DATA

CERTIFIED BY

 U W MAWP 125 PSI @250 F
 EXT. PRESS -- PSI @ -- F
 RT-4 MDMT-20 F@125 PSI
 CAT# -- YR 2015
 CRN --
 SH GAL 50
 HD 2:1 SE --

TOTAL WEIGHT = 500 LBS.

TOLERANCES
(EXCEPT AS NOTED)
 FRACTIONAL
 ± 1/8"
 DECIMAL
 ± 0.125"
 ANGULAR
 ± 1°

FABRICATION NOTES:

- UNLESS NOTED OTHERWISE, ALL WELDS ARE TO BE 3/16" FILLET WELDS.
- ALL FLANGE BOLT HOLES TO STRADDLE VESSEL CENTERLINES.
- EACH CONNECTION TO BE TAGGED W/ ABBREVIATION SERVICE DESCRIPTION



THIS DRAWING IS THE PROPERTY OF MANCHESTER TANK AND IS NOT TO BE USED FOR ANY PURPOSE OTHER THAN THAT FOR WHICH IT IS SPECIFICALLY FURNISHED

CUSTOMER
MANCHESTER TANK

TITLE
GLYCOL SOLIDS FILTER
 18" OD x 3'-8" S/S @ 125 PSIG
 ELEVATION & PLAN VIEW

REV	DESCRIPTION	DATE	BY	CHK	SCALE	AS NOTED
A	ISSUED FOR INFORMATION	06/18/15	MCH	JEG		
REV	DESCRIPTION	DATE	BY	CHK	SCALE	AS NOTED

DRW. NO.	DATE	CHK BY	DATE	SCALE	REV
309715-S	06/18/15	JEG	06/18/15	AS NOTED	A