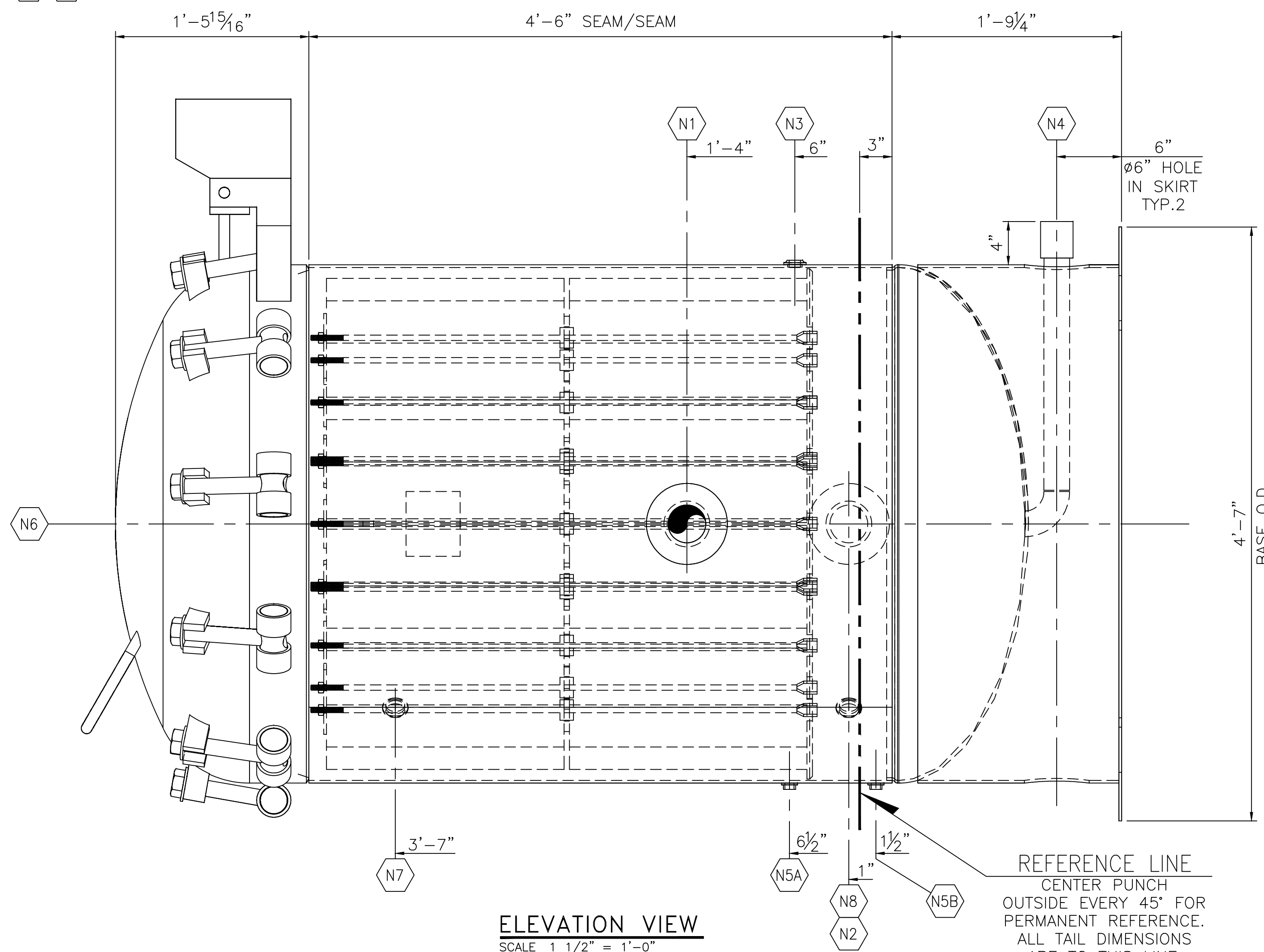
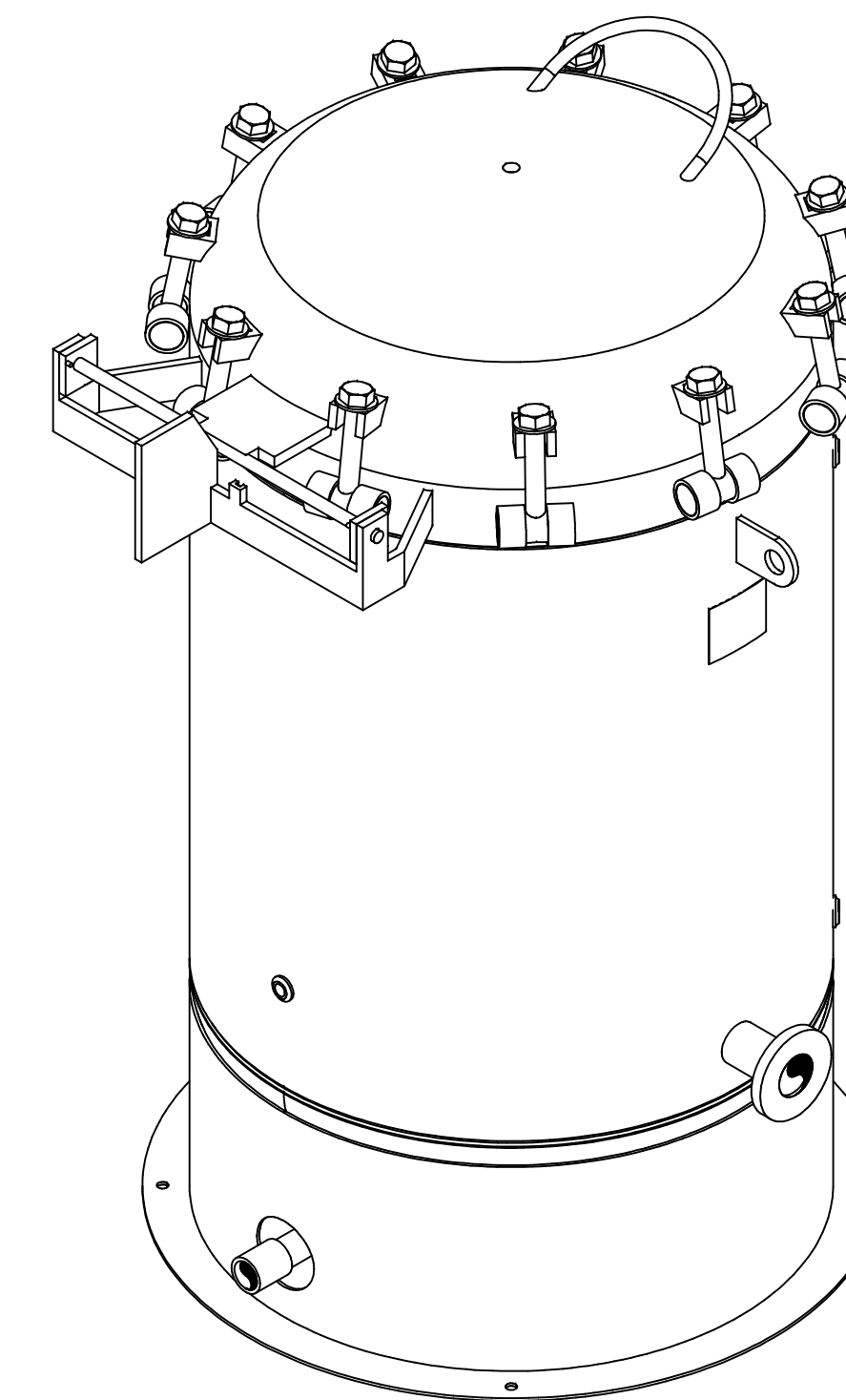


**PLAN VIEW**  
SCALE 1 1/2" = 1'-0"  
CLOSURE REMOVED FOR CLARITY  
(TRUE ORIENTATION)



**ELEVATION VIEW**  
SCALE 1 1/2" = 1'-0"



**ISOMETRIC VIEW**  
SCALE NONE

MARK	REQ'D.	SIZE	RATING & TYPE	SERVICE	NECK O.D.	NECK SCH.	O.S. PROJECTION	I.S.	REINF. PAD SIZE	WELDING DETAIL NO.	A	B	C
N8	1	1"	1500# NPT	PSV AUX	-	-	-	-	-	W13	3/16"	-	-
N7	1	1"	1500# NPT	PSV	-	-	-	-	-	W13	3/16"	-	-
N6	1	1 1/2"	1500# NPT	VENT (PROVIDED ON CLOSURE)	-	-	-	-	-	W13	3/16"	-	-
N5B	1	1 1/2"	1500# NPT	DPI	-	-	-	-	-	W13	3/16"	-	-
N5A	1	1 1/2"	1500# NPT	DPI	-	-	-	-	-	W13	3/16"	-	-
N4	1	2"	3000# CPLG	LOWER DRAIN	-	-	FLUSH	-	-	W3	3/16"	-	-
N3	1	3/4"	1500# NPT	UPPER DRAIN	-	-	-	-	-	W13	3/16"	-	-
N2	1	3"	150# RFSO	OUTLET	3.50"	S/40	6.00"	1.00"	-	W2/W7	1/4"	-	-
N1	1	3"	150# RFSO	INLET	3.50"	S/40	6.00"	1.00"	-	W2/W7	1/4"	-	-

**NOZZLE SCHEDULE & WELDING DETAILS**

NOZZLE NOTES: 1) DRILL AND TAP 1/4" N.P.T. HOLE IN REINFORCING PADS. 2) INSIDE EDGES OF NOZZLE NECKS SHALL BE ROUNDED TO 1/8" RAD. OR HALF THE WALL THICKNESS IF LESS THAN 1/4". 3) GOUGE, GRIND OR CHIP INSIDE TO SOUND METAL BEFORE MAKING WELD "b". 4) NOZZLE PROJ. ARE FROM SHORT SIDE.

**NAMEPLATE DATA**

CERTIFIED BY

**MANCHESTER-TANK**

U W MAWP 125 PSI @250 F  
EXT. PRESS -- PSI @ -- F  
RT-4 MDMT-20 F@125 PSI  
CAT# --- YR 2015  
CRN --  
SH GAL 475  
HD 2:1 SE --

TOTAL WEIGHT = 2,400 LBS.

TOLERANCES (EXCEPT AS NOTED)				
FRACTIONAL	± 1/8"			
DECIMAL	± 0.125"			
ANGULAR	± 1°			
<b>FABRICATION NOTES:</b>				
1. UNLESS NOTED OTHERWISE, ALL WELDS ARE TO BE 3/16" FILLET WELDS.				
2. ALL FLANGE BOLT HOLES TO STRADDLE VESSEL CENTERLINES.				
3. EACH CONNECTION TO BE TAGGED W/ ABBREVIATION SERVICE DESCRIPTION				
REV	DESCRIPTION	DATE	BY	CHK
A	ISSUED FOR INFORMATION	06/18/15	MCH	JEG

THIS DRAWING IS THE PROPERTY OF MANCHESTER TANK AND IS NOT TO BE USED FOR ANY PURPOSE OTHER THAN THAT FOR WHICH IT IS SPECIFICALLY FURNISHED.

CUSTOMER: **MANCHESTER TANK**

TITLE: **VERTICAL CHARCOAL FILTER**  
48" OD x 4'-6" S/S @ 125 PSIG  
ELEVATION & PLAN VIEW

DRW. NO.	DATE	CHK. BY	DATE	SCALE
309707-S	06/18/15	JEG	06/18/15	AS NOTED