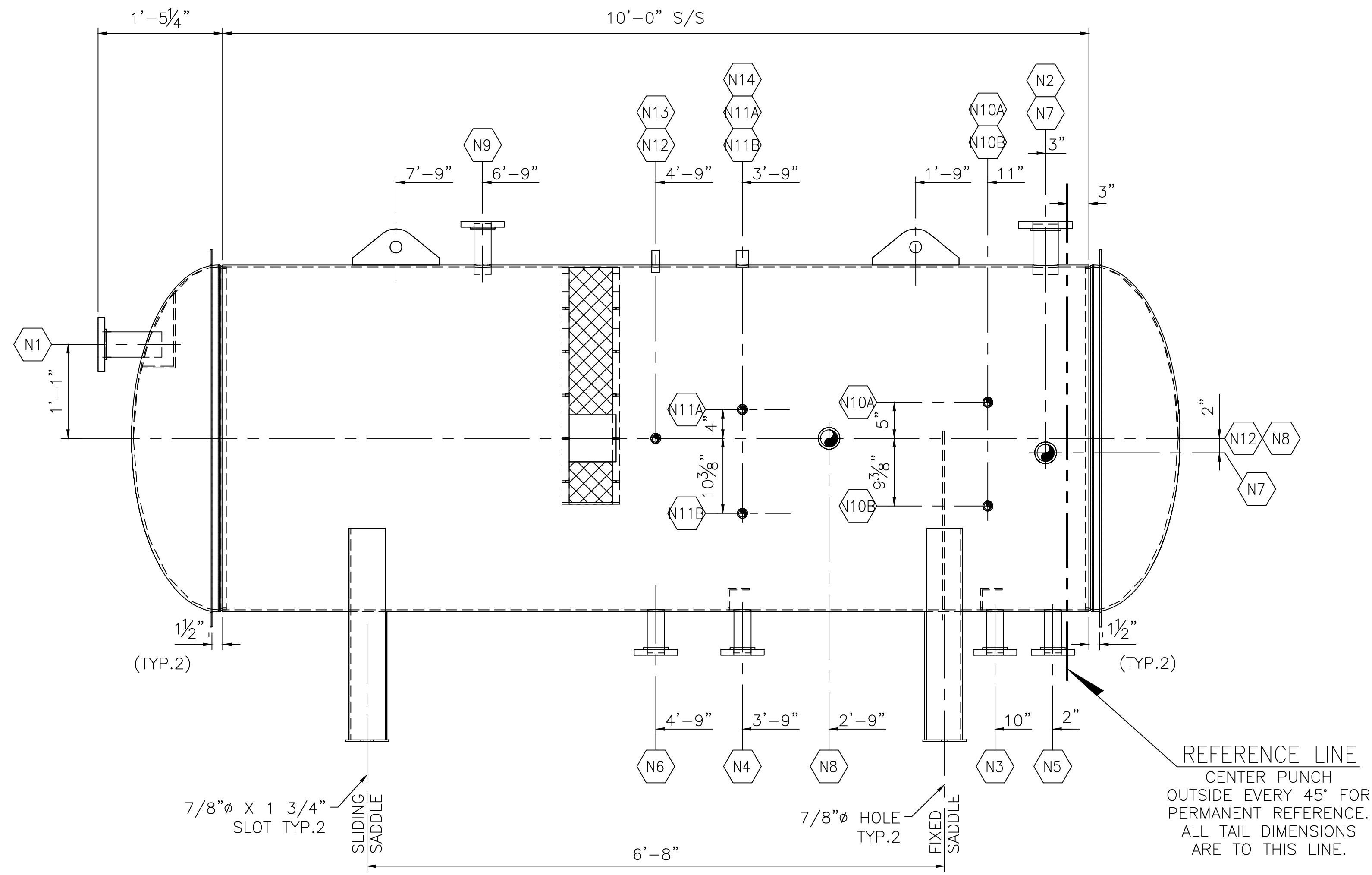
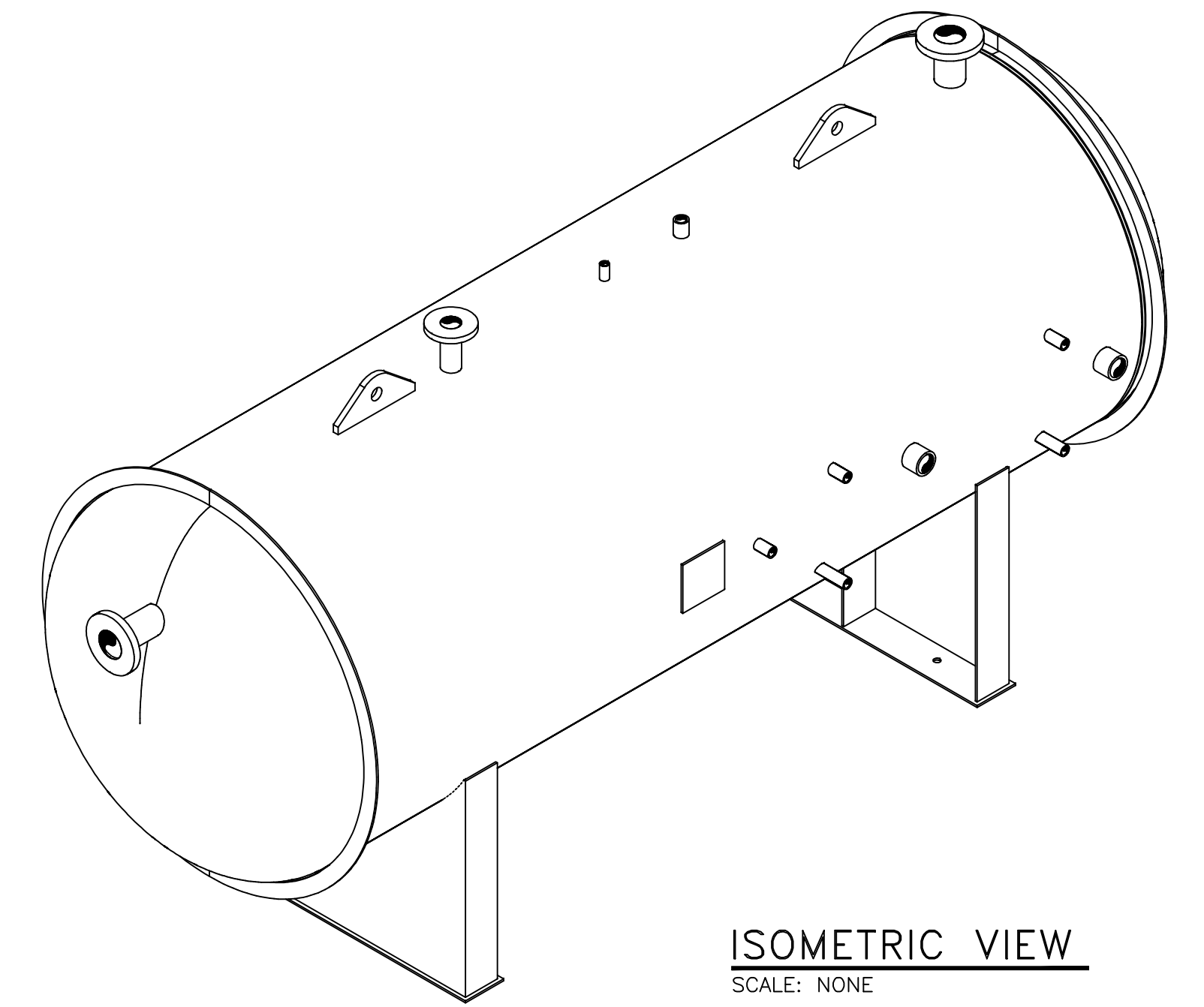


LEFT END VIEW
SCALE: 1" = 1'-0"



ELEVATION VIEW
SCALE: 1" = 1'-0"



ISOMETRIC VIEW
SCALE: NONE

MARK	REQ'D.	SIZE	RATING & TYPE	SERVICE	NECK O.D.	NECK SCH.	O.S. PROJECTION	I.S.	REIN. PAD SIZE	WELDING DETAIL NO.	A	B	C
N14	1	1"	3000# CPLG	VENT	-	-	2.00"	-	-	W14	5/16"	-	-
N13	1	1/2"	3000# CPLG	PI	-	-	2.00"	-	-	W14	3/16"	-	-
N12	1	3/4"	3000# CPLG	TI	-	-	ELEV	-	-	W14	3/16"	-	-
N11B	1	3/4"	3000# CPLG	GLYCOL LG	-	-	ELEV	-	-	W14	3/16"	-	-
N11A	1	3/4"	3000# CPLG	GLYCOL LG	-	-	ELEV	-	-	W14	3/16"	-	-
N10B	1	3/4"	3000# CPLG	CONDENSATE LG	-	-	ELEV	-	-	W14	3/16"	-	-
N10A	1	3/4"	3000# CPLG	CONDENSATE LG	-	-	ELEV	-	-	W14	3/16"	-	-
N9	1	2"	150# RFSO	RELIEF	2.375"	S/40	6.00"	1.00"	-	W7/W15	1/4"	1/4"	-
N8	1	2"	3000# CPLG	GLYCOL LC	-	-	ELEV	-	-	W14	3/16"	-	-
N7	1	2"	3000# CPLG	CONDENSATE LC	-	-	ELEV	-	-	W14	3/16"	-	-
N6	1	2"	150# RFSO	DRAIN	2.375"	S/40	6.00"	-	-	W2/W7	1/4"	-	-
N5	1	2"	150# RFSO	DRAIN	2.375"	S/40	6.00"	-	-	W2/W7	1/4"	-	-
N4	1	2"	150# RFSO	GLYCOL OUTLET	2.375"	S/40	6.00"	-	-	W2/W7	1/4"	-	-
N3	1	2"	150# RFSO	CONDENSATE OUTLET	2.375"	S/40	6.00"	-	-	W2/W7	1/4"	-	-
N2	1	3"	150# RFSO	GAS OUTLET	3.50"	S/40	6.00"	1.00"	-	W2/W7	1/4"	-	-
N1	1	3"	150# RFSO	INLET	3.50"	S/40	ELEV	1.00"	-	W7/W15	1/4"	1/4"	-

NOZZLE SCHEDULE & WELDING DETAILS

NOZZLE NOTES: 1) DRILL AND TAP 1/4" N.P.T. HOLE IN REINFORCING PADS. 2) INSIDE EDGES OF NOZZLE NECKS SHALL BE ROUNDED TO 1/8" RAD. OR HALF THE WALL THICKNESS IF LESS THAN 1/4". 3) GOUGE, GRIND OR CHIP INSIDE TO SOUND METAL BEFORE MAKING WELD "b". 4) NOZZLE PROJ. ARE FROM SHORT SIDE.

NAMEPLATE DATA

CERTIFIED BY

 U W MAWP 125 PSI @250 F
 EXT. PRESS -- PSI @ -- F
 RT-- MDMT-20 F@125 PSI
 CAT# -- YR 2015
 CRN --
 SH GAL 536
 HD 2:1 SE --

TOTAL WEIGHT = 2,300 LBS.

TOLERANCES
(EXCEPT AS NOTED)
 FRACTIONAL
 ± 1/8"
 DECIMAL
 ± 0.125"
 ANGULAR
 ± 1°

- FABRICATION NOTES:**
 1. UNLESS NOTED OTHERWISE, ALL WELDS ARE TO BE 3/16" FILLET WELDS.
 2. ALL FLANGE BOLT HOLES TO STRADDLE VESSEL CENTERLINES.
 3. EACH CONNECTION TO BE TAGGED W/ ABBREVIATION SERVICE DESCRIPTION



THIS DRAWING IS THE PROPERTY OF MANCHESTER TANK AND IS NOT TO BE USED FOR ANY PURPOSE OTHER THAN THAT FOR WHICH IT IS SPECIFICALLY FURNISHED.
 CUSTOMER: MANCHESTER TANK
 TITLE: HORIZONTAL GAS/GLYCOL/DISTILLATE SEPARATOR
 48" OD x 10'-0" S/S @ 125 PSIG
 ELEVATION & PLAN VIEW

REV	DESCRIPTION	DATE	BY	CHK
A	ISSUED FOR INFORMATION	06/18/15	MCH	JEG

DWG. NO.	DATE	CHK BY	DATE	SCALE	AS NOTED
309705-S	06/18/15	JEG	06/18/15	AS NOTED	A