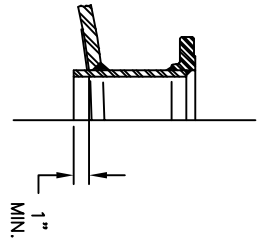
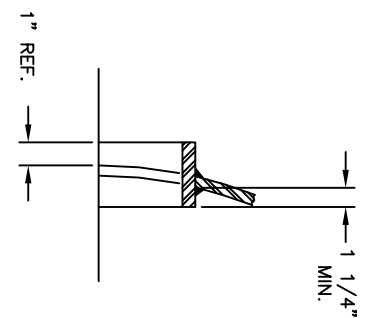


CODE/ADDENDA APPROVED
 RELEASED FOR PRODUCTION
 Q.C. _____ DATE _____

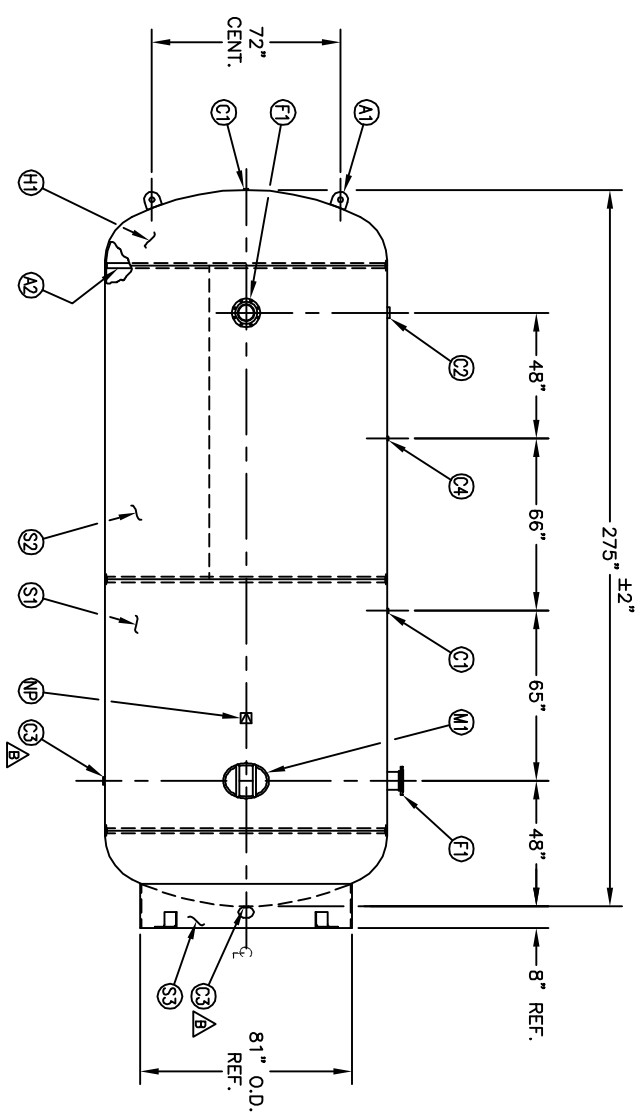
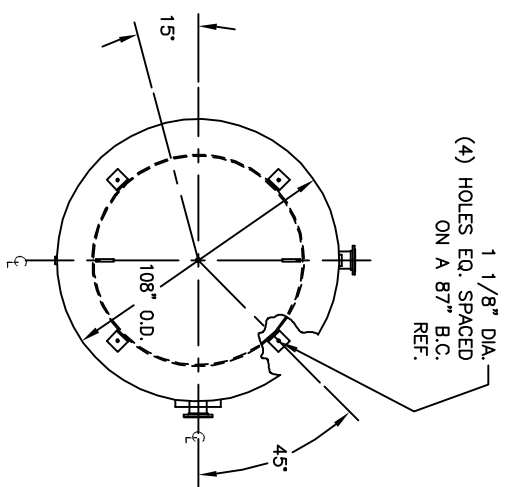


NOZZLE DETAIL



MANWAY DETAIL

NO. QTY	DESCRIPTION	SPEC	SUB-DWG.
S1 1			
S2 1			
H1 2			
F1 2	6" 150# ANSI RF-SO. FLANGE	SA-105	
F1 2	6" SCH.80 PIPE X 8" LONG	SA-106-B	
F1 2	.134 X 8 5/8" X 6 5/8" BACKING RING	C1008	
C1 2	1"-NPT 3000# FULL COUPLING	SA-105	
C2 1	3"-NPT 3000# FULL COUPLING	SA-105	
C3 2	1-1/4"-NPT 3000# HALF COUPLING	SA-105	
C4 1	1/4"-NPT 3000# T.O.E. COUPLING X 2 3/8" LONG	SA-105	
M1 1	12" X 16" X 3/4" X 4" 300# MANWAY	SA-075-70/SA-106-C	
S3 1	STANDARD 8" SKIRT & CLIP ASSY. FOR 108" DIA. TANK		
A1 2	1" X 6" X 6" STANDARD LIFT LUG		
A2 3	3/16" X 2" X 335 9/16" BACKING RING	C1008/SA-36	
NP 1	ASME DATA PLATE	C1010	



NOTES
 BREAK ALL EXPOSED INTERIOR NOZZLE EDGES
 ALL FLANGE BOLT HOLES TO STRADDLE VESSEL CENTERLINES

SPECIFICATIONS

O.D. 108	LGTH. 275	SH.
MAWP 137 PSI @ 450 F.	HD.	
RT- MDMT -20 F @ 137 PSI	QAL 10000	SA. 697
EAMT	WT. 15700#	CUFT. 1327
XRAY	PSI	
CEN. N/A	CODE ASME SECT. VIII, DIV. 1	HD
WELD DETAILS: M-1932	PER DATE OF DWG/LAST REV	
STD. TOLERANCES (UNLESS OTHERWISE NOTED): M-2461		

MANCHESTER TANK Q.C. 3000

STANDARD VERTICAL AIR RECEIVER

SCALE: NONE

DRAWING NO. 303970

DATE _____

SCALE: NONE

DRAWING NO. 303970

SM/DATE	BY	REVISION	APP
A	JC		JC
B	BS		BS