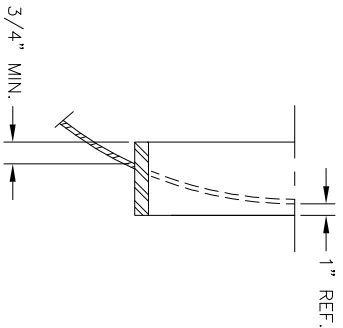
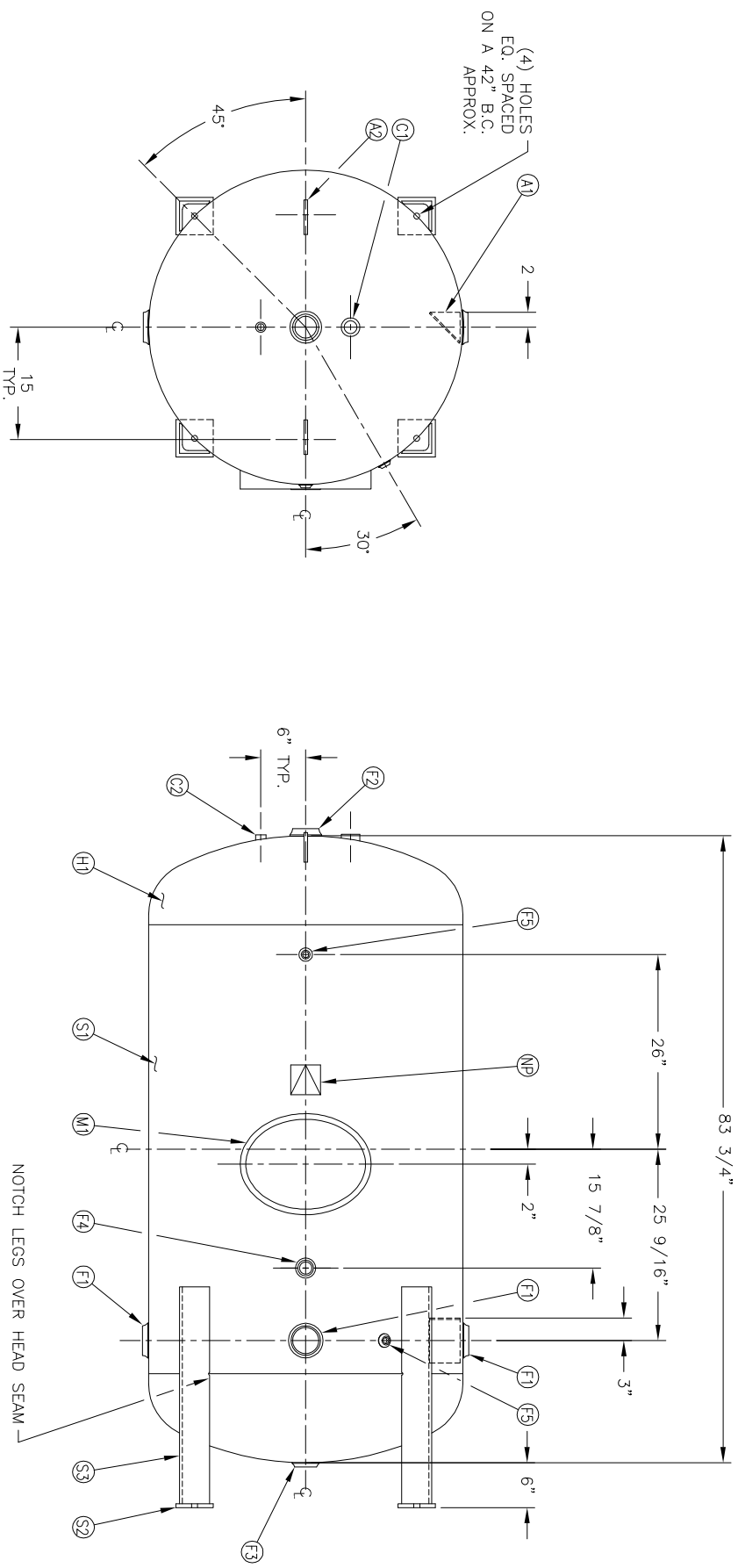


LEG/PAD DETAIL



MANWAY DETAIL

| NO. QTY | DESCRIPTION                         | SPEC      | SUB-DWG. |
|---------|-------------------------------------|-----------|----------|
| S1 1    |                                     |           |          |
| H1 2    |                                     |           |          |
| M1 1    | 12" X 16" X 3/4" X 4" 300# MANWAY   | SA-106-C  |          |
| F1 3    | 3"-NPT 1500# RADIAL FLANGE          | SA-181-70 |          |
| F2 1    | 3"-NPT 1500# FLAT FLANGE            | SA-181-70 |          |
| F3 1    | 2"-NPT 1500# FLAT FLANGE            | SA-181-70 |          |
| C1 1    | 1 1/2"-NPT 3000# FULL COUPLING      | SA-105    |          |
| F4 1    | 1 1/4"-NPT 1500# RADIAL FLANGE      | SA-181-70 |          |
| C2 1    | 3/4"-NPT 3000# FULL COUPLING        | SA-105    |          |
| F5 2    | 1/2"-NPT 1500# FLAT FLANGE          | SA-181-70 |          |
| A1 1    | BAFFLE                              | A84451    |          |
| A2 2    | 1/2" X 4" X 4" STANDARD LIFT LUG    | SA-516-70 | A84386   |
| S2 4    | 1/2" X 5" X 5" PAD                  | SA-516-70 |          |
| S3 4    | 3/8" X 4" X 4" ANGLE LEG X 29" LONG | SA-36     |          |
| NP 1    | ASME DATA PLATE                     | C1010     |          |



| SW/ DATE | BY | REVISION | APP | XREF | REV | NOTES   | SPECIFICATIONS   | DATE | DATE | SCALE |
|----------|----|----------|-----|------|-----|---|--|------|------|-------|
|          |    |          |     |      |     | INTERIOR FINISH NOTE<br>1. 1/8" RADIUS ALL EDGES<br>2. GRIND ALL INTERNAL WELDS SMOOTH.<br>3. SANDBLAST TO NEAR WHITE FINISH.<br>4. ALL VOIDS AND GAPS TO BE CAULKED<br>5. COAT WITH DEVCO 233H EPOXY (OR EQUIV.) | O.D. 42 LGTH. 83.75<br>MAMP 150 PSI @ 250 F<br>QAL 450 SA<br>Wt. 1110# CUFT. |      |      | NONE  |



VERTICAL EPOXY LINED WATER TANK

| ALL OPEN TAPS TO HAVE PLASTIC THREAD PROTECTORS          |                  |   |
|--|------------------|---|
| CODE ASME SECT. VIII, DIV. 1<br>PER DATE OF DWG/LAST REV | DRAWN BY<br>DATE | SCALE: NONE<br>DRAWING NO.<br><b>302519</b> |