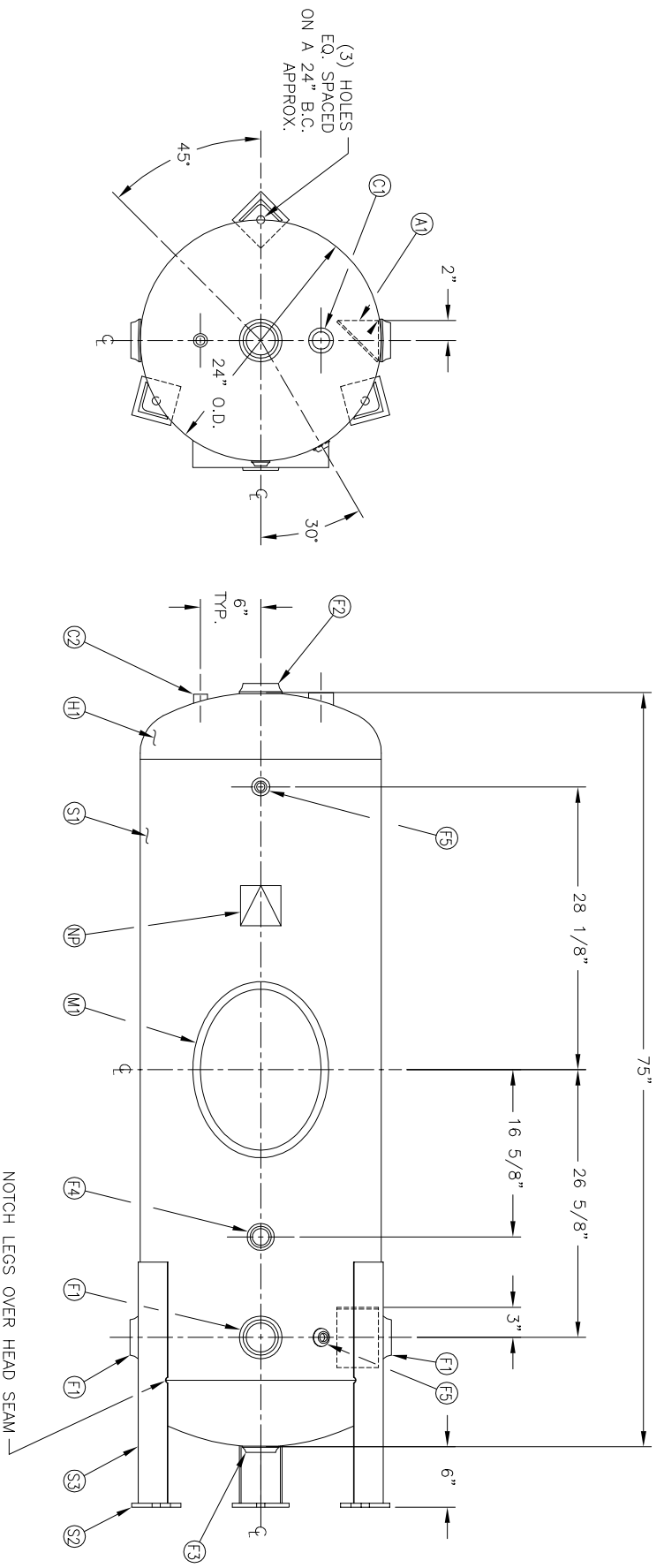


NO. QTY.	DESCRIPTION	SPEC	SUB-DWG.
S1 1			
H1 2			
M1 1	12" X 16" X 3/4" X 4" 300# MANWAY	SA-675-70/SA-106-C	
F1 3	2.1/2 NPT 1500# RADIAL FLANGE	SA-181-70	
F2 1	2.1/2 NPT 1500# FLAT FLANGE	SA-181-70	
F3 1	2 NPT 1500# FLAT FLANGE	SA-181-70	
C1 1	1.1/2 NPT 3000# FULL COUPLING	SA-105	
F4 1	1.1/4 NPT 1500# RADIAL FLANGE	SA-181-70	
C2 1	3/4 NPT 3000# FULL COUPLING	SA-105	
F5 2	1/2 NPT 1500# FLAT FLANGE	SA-181-70	
A1 1	BAFLE		A84451
S2 3	3/8" X 4" X 4" PAD	SA-516-70	
S3 3	1/4" X 3" X 3" ANGLE LEG X 24" LONG	SA-36	
NP 1	ASME DATA PLATE	C1010	

LEG/PAD DETAIL

MANWAY DETAIL



DATE	BY	REVISION	APP	XREF	REQ.	NOTES	SPECIFICATIONS	DRAWN BY	DATE	SCALE	DRAWING NO.
						INTERIOR FINISH NOTE: 1. 1/8" RADIUS ALL EDGES. 2. GRIND ALL INTERNAL WELDS SMOOTH. 3. SANDBLAST TO NEAR WHITE FINISH. 4. ALL VOIDS AND GAPS TO BE CAULKED 5. COAT WITH DEVCO 233H EPOXY.	O.D. 24 LGTH. 75 MAMP 150 PSI @ 250 F GAL 140 WT. 350# CODE ASME SECT. VIII, DIV. 1 PER DATE OF DWG/LAST REV			NONE	302512



24" X 75" VERT.  
EPOXY LINED WATER TANK

ALL OPEN TAPS TO HAVE PLASTIC THREAD PROTECTORS