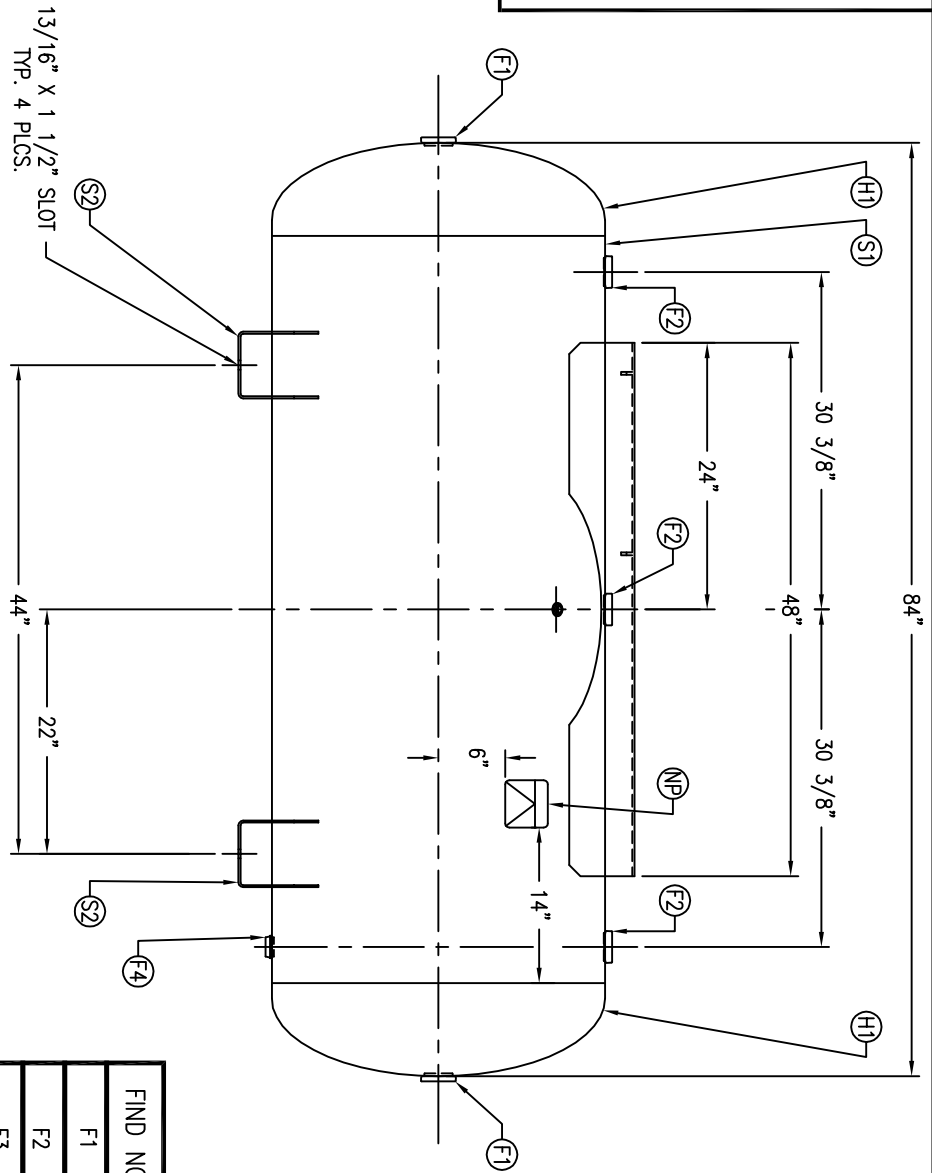
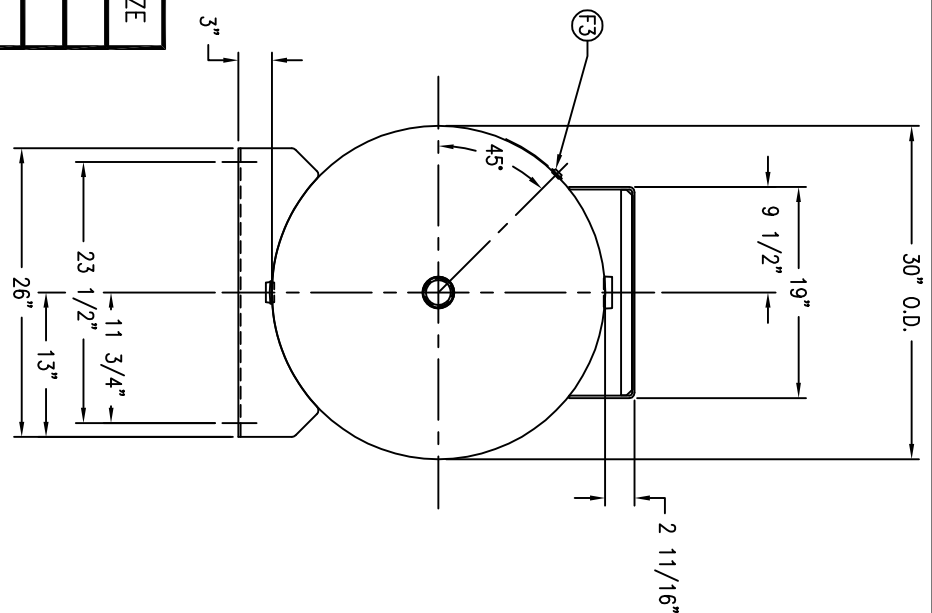


CODE/ADDENDA 2004/- APPROVED JR
 RELEASED FOR PRODUCTION
 Q.C. _____ DATE _____



FIND NO.	NPT SIZE
F1	2
F2	2
F3	1/4
F4	1



SYMBOL	DATE	BY	REVISION	APP	XREF	REV.	NOTES	SPECIFICATIONS

O.D. 30		LGTH. 84		MAMP 200		PSI @ 650 °F	
CRN F0628.1C		GAL. 240		S.A. 57.8		WT. 716#	
WELD DETAILS: M-1932		CODE: ASME SEC. VIII DIV. 1,		LATEST EDITION & ADDENDA		STD. TOLERANCES (UNLESS OTHERWISE NOTED): M-2461	
DRAWN BY		DATE		SCALE: NONE		DRAWING NO.	
APP. BY		DATE		HORIZONTAL AIR RECEIVER		302485	



H:\3000\