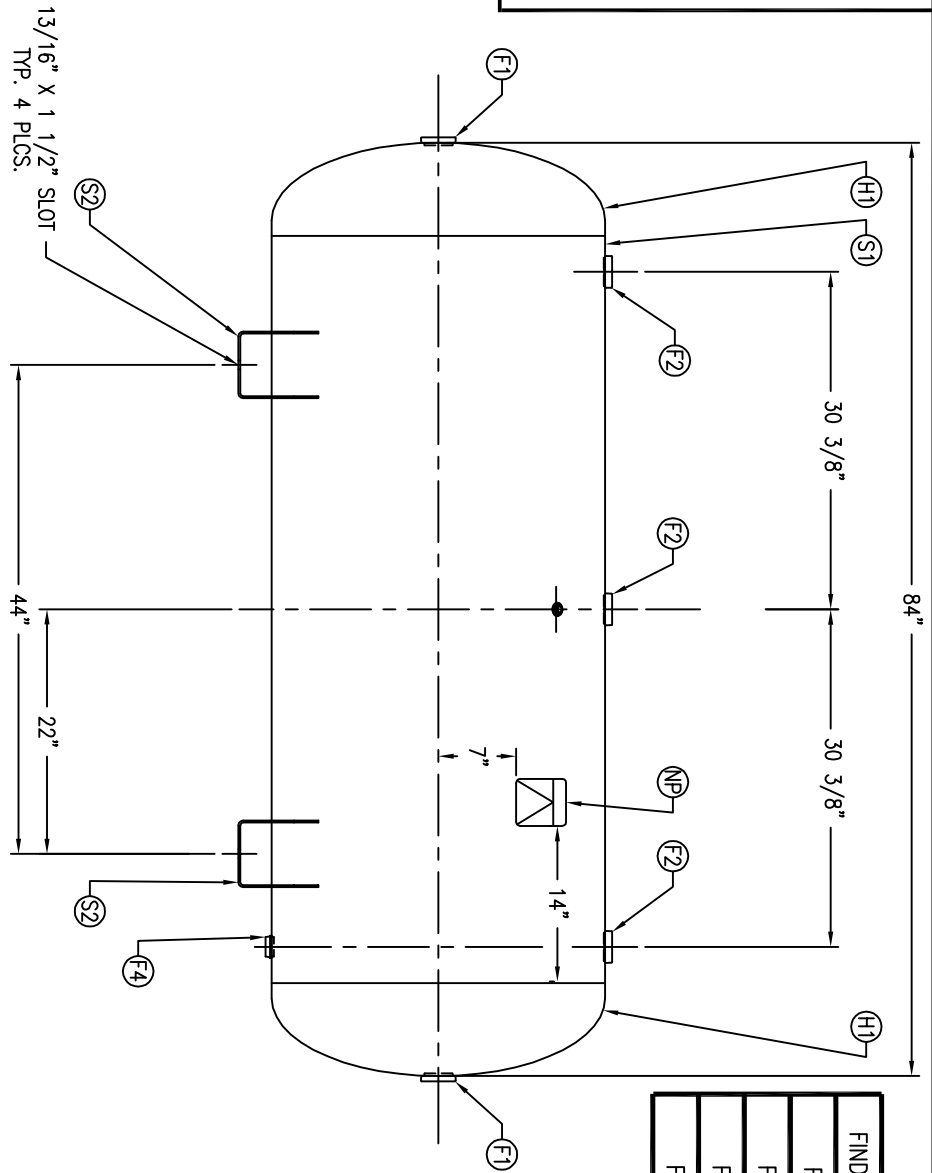
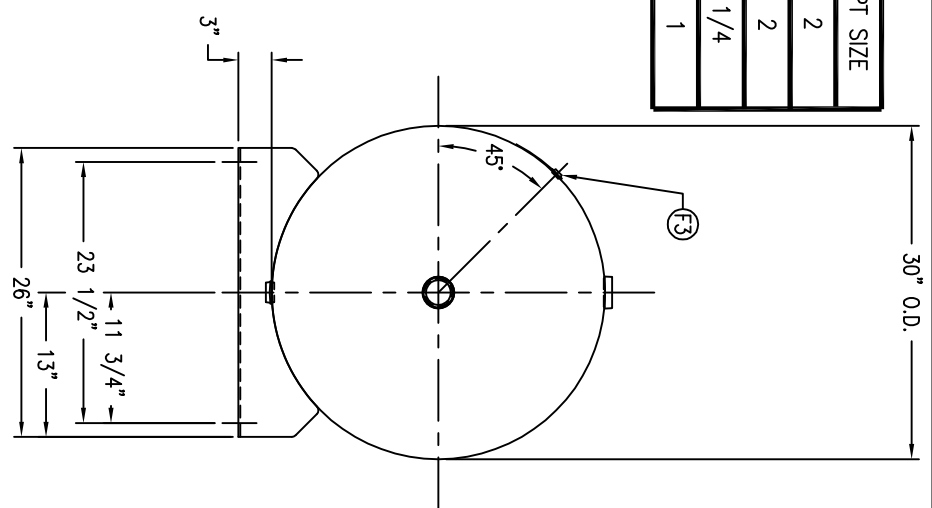


CODE/ADDENDA APPROVED
 RELEASED FOR PRODUCTION
 Q.C. _____ DATE _____



FIND NO.	NPT SIZE
F1	2
F2	2
F3	1/4
F4	1



SYMBOL	DATE	BY	REVISION	APP	XREF	REV.	NOTES
A		KAT		JC			

SPECIFICATIONS	
O.D. 30	LGTH. 84
MAMP 200	PSI @ 400 °F
RT - MDMT -20 °F @ 200 PSI	
EXMT U620(f)	TEST
XRAY	W
CRN V6306.2C	

WELD DETAILS: M-1932	
SH.	MAT'L
HD.	MAT'L
WT. 510	CU.FT. 31.3
CORR ALW	SH
CODE: ASME SEC. VIII DIV. 1	HD
LATEST EDITION & ADDENDA	

DRAWN BY		DATE		SCALE	
FCB				NONE	
JR					

DRAWING NO.	
302484	

MANCHESTER TANK	
O:\3000\	

HORIZONTAL AIR RECEIVER	
-------------------------	--