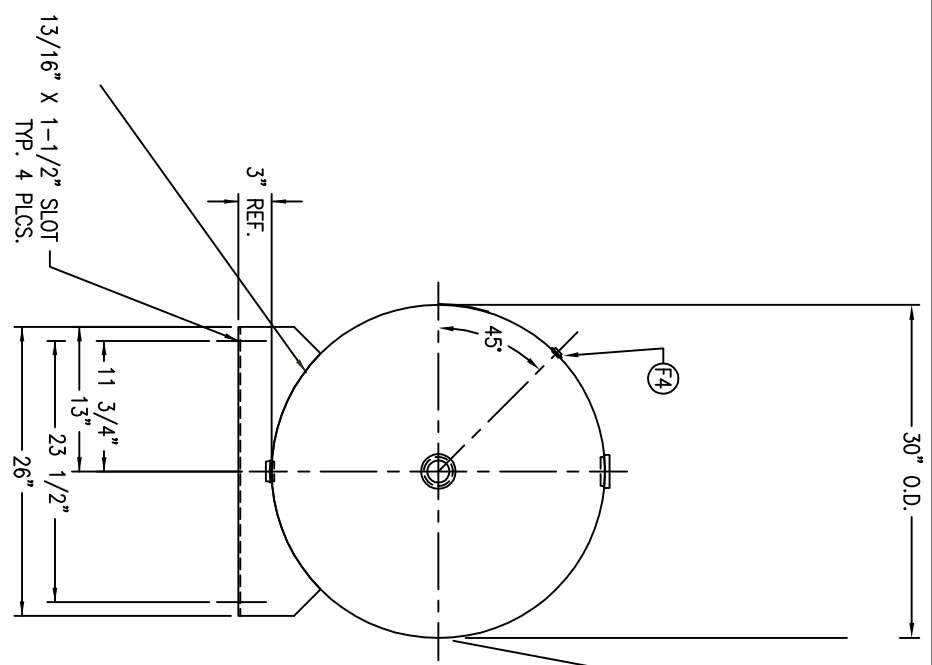
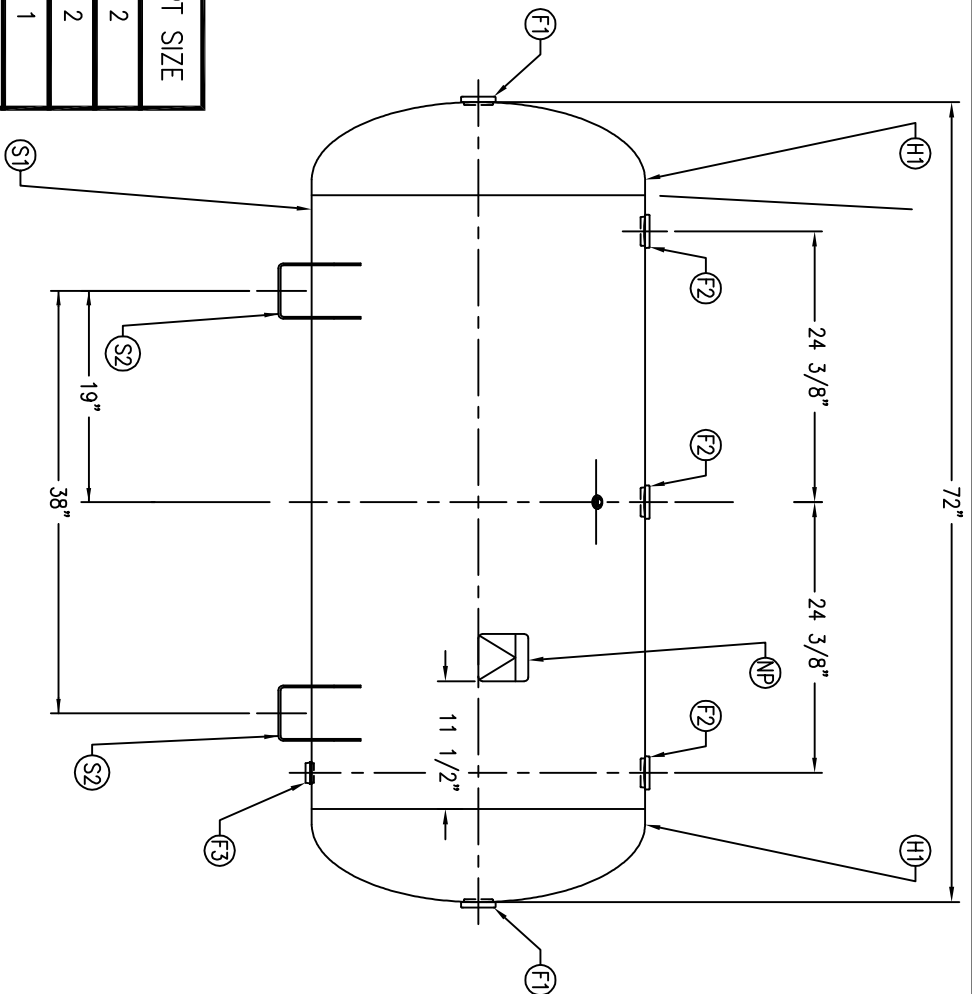


CODE/ADDENDA 2004/- APPROVED JR
 RELEASED FOR PRODUCTION
 Q.C. _____ DATE _____

FIND NO.	NPT SIZE
F1	2
F2	2
F3	1
F4	1/4



SYM	DATE	BY	REVISION	APP	XREF	REV.	NOTES

SPECIFICATIONS		NOTES	
O.D. 30	LGTH. 72	CRN F0628.1C	
MAMP 200	PSI @ 650 F	WELD DETAILS: M-1932	
GAL. 200	S.A. 50.0	STD. TOLERANCES (UNLESS OTHERWISE NOTED): M-2461	
WT. 538#	CU.FT. 26.5		
CODE: ASME SEC. VIII DIV. I, LATEST EDITION & ADDENDA			
DRAWN BY	DATE	SCALE: NONE	
APP. BY	DATE	DRAWING NO. 302482	

HORIZONTAL AIR RECEIVER



H:\3000\