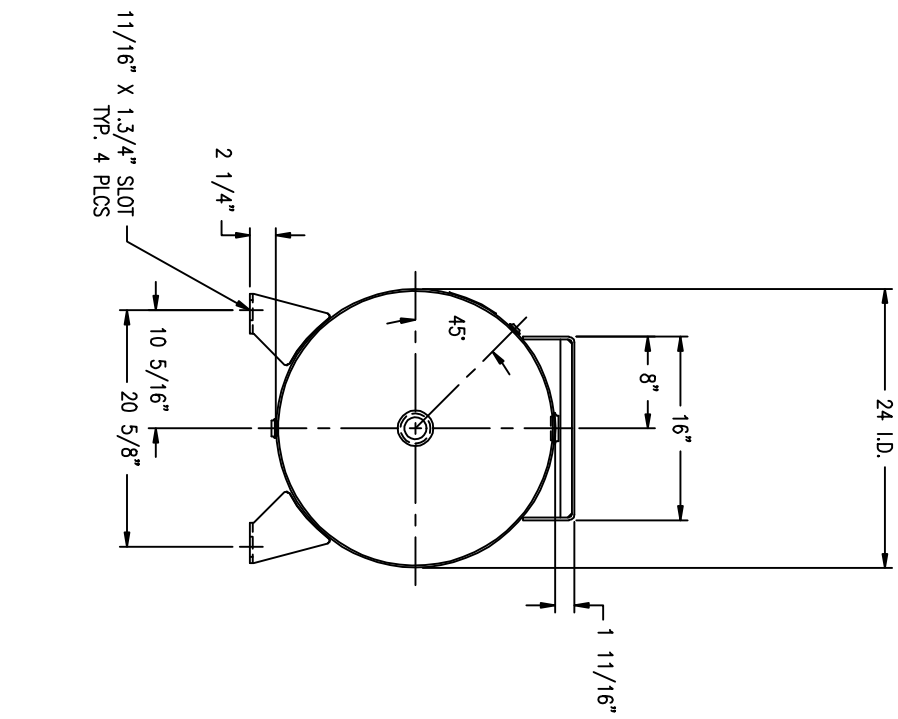
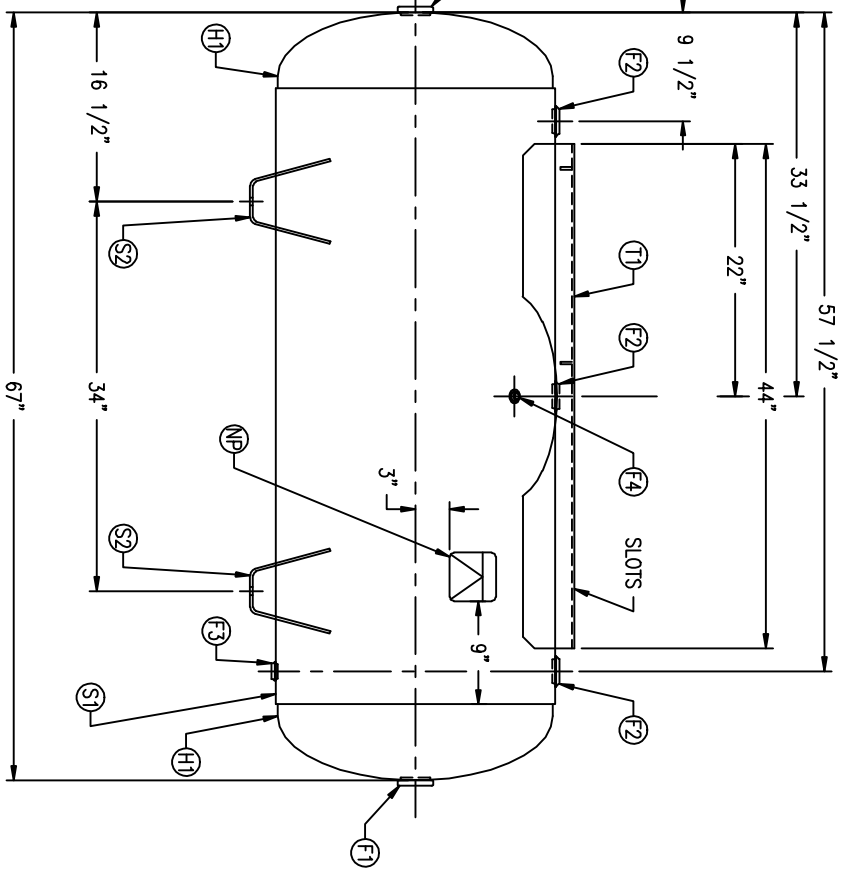


CODE/ADDENDA 2004/2006 APPROVED KM
 RELEASED FOR PRODUCTION
 Q.C. _____ DATE _____

FIND NO.	NPT SIZE
F1	2
F2	1 1/2
F3	3/4
F4	1/4



SYM	DATE	BY	REVISION	APP	XREF	REV	NOTES
					C1097	A	

SPECIFICATIONS	
I.D. 24	LGTH. 67
MANP 200	PSI @ 650 °F
CRN E7400.2C	
WELD DETAILS: M-1932	
STD. TOLERANCES (UNLESS OTHERWISE NOTED): M-2461	

DRAWN BY		DATE		SCALE: NONE	



HORIZONTAL AIR RECEIVER

CODE: ASME SEC. VIII DIV. I, LATEST EDITION & ADDENDA	DRAWING NO. 302480
DATE	
DATE	

302480