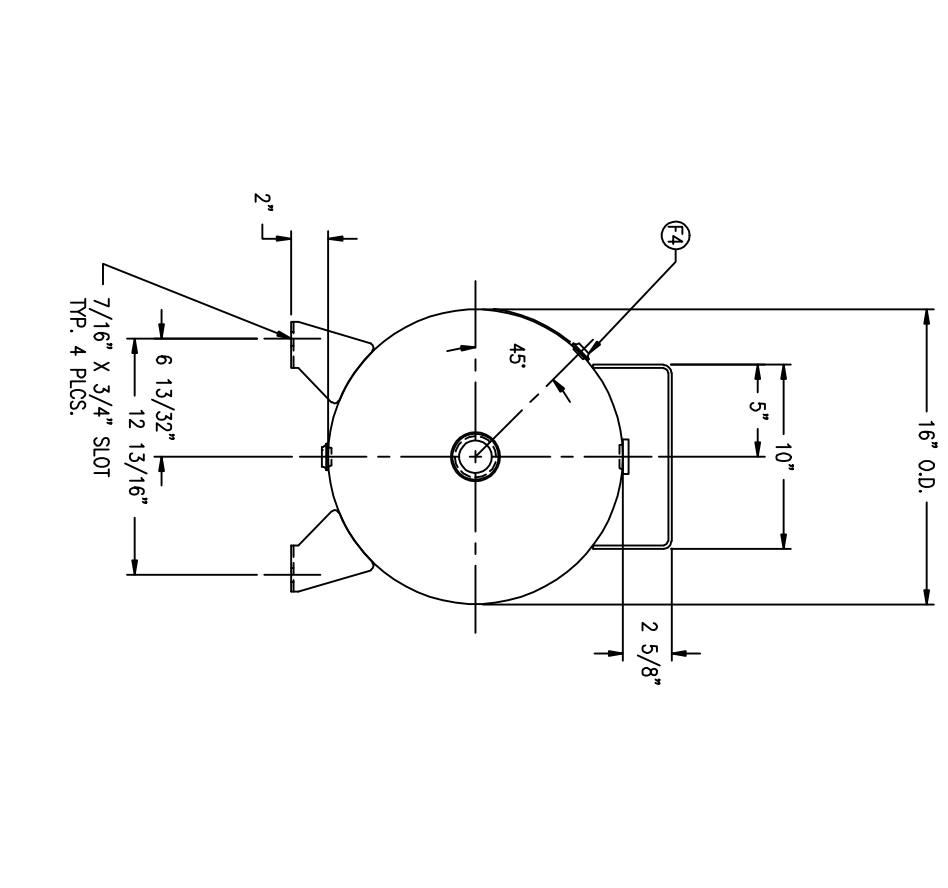
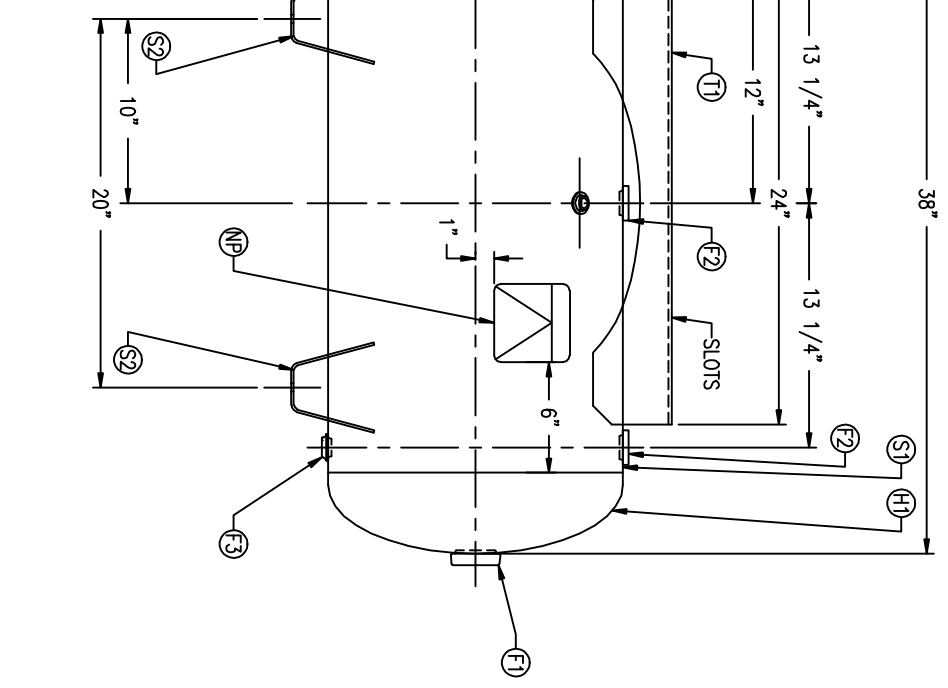


CODE/ADDENDA 2004/2006 APPROVED KM
 RELEASED FOR PRODUCTION
 Q.C. _____ DATE _____

FIND NO.	NPT SIZE
F1	1 1/2
F2	3/4
F3	1/2
F4	1/4



SYM.	DATE BY	REVISION	APR.	REF. REV.	NOTES	SPECIFICATIONS
						O.D. 16 LGTH. 38 MAWP 200 PSI @ 650 F GRN F2151.1C GALL. 30 S.A. 14.1 WT. 111# CULFT. 4.0 CODE: ASME SEC. VIII DIV. I, LATEST EDITION & ADDENDA WELD DETAILS: M-1932 STD. TOLERANCES (UNLESS OTHERWISE NOTED): M-2461



HORIZONTAL AIR RECEIVER

DRAWN BY	DATE	SCALE: NONE
APP. BY	DATE	DRAWING NO. 302470