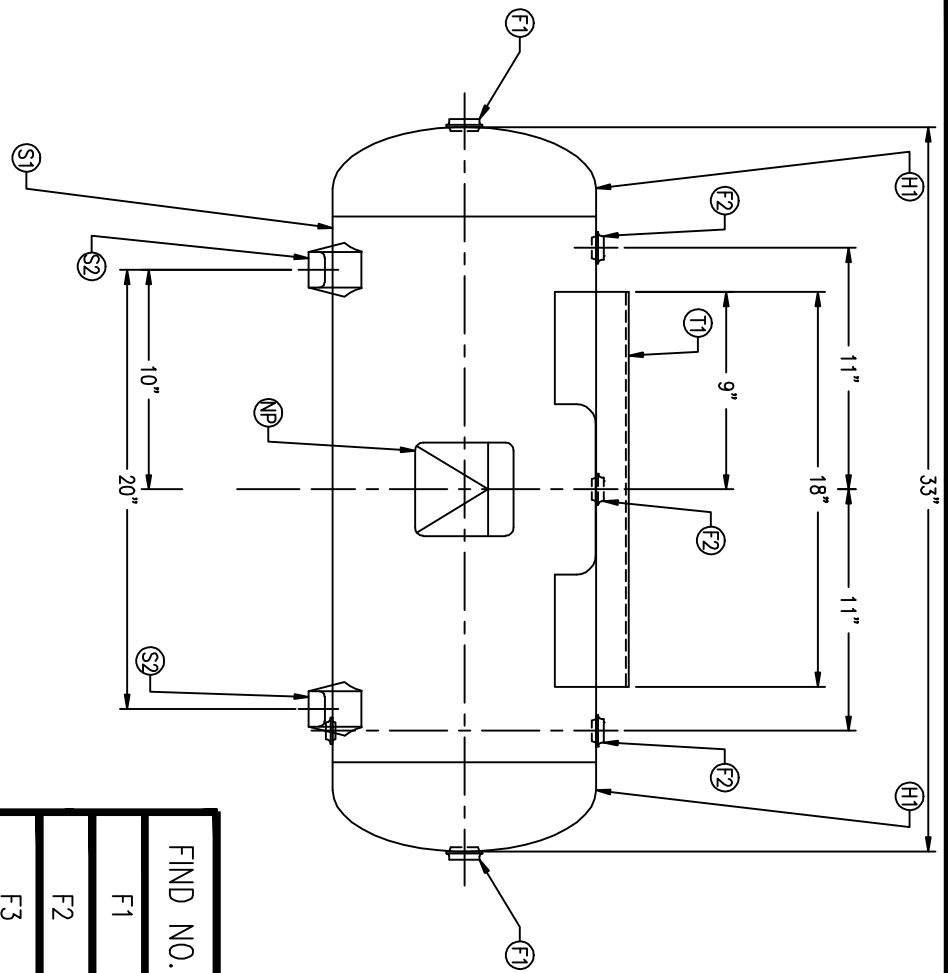
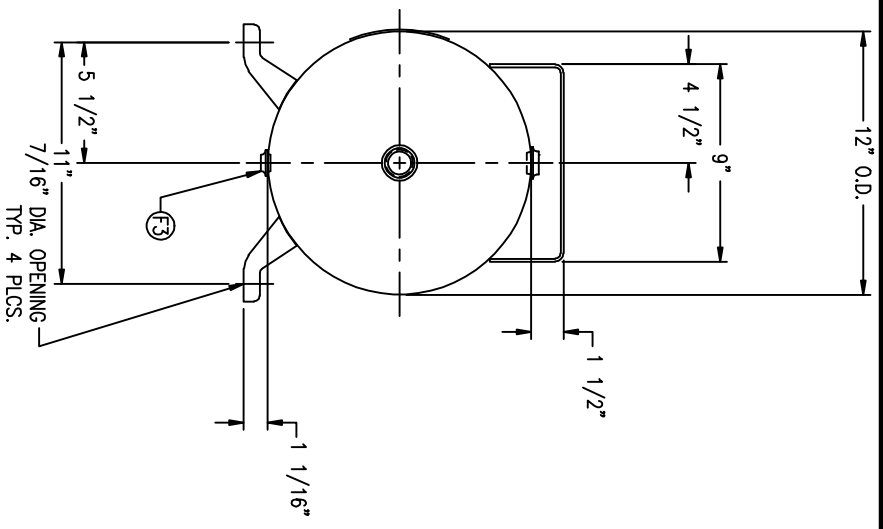


CODE/ADDENDA _____ APPROVED
 RELEASED FOR PRODUCTION
 Q.C. _____ DATE _____



FIND NO.	NPT SIZE
F1	3/4
F2	1/2
F3	1/4



SYM DATE BY _____ REVISION _____ APP XREF REV. _____ NOTES _____

C1013 A	O.D. 12 LGTH. 33
C1012	MAWP 300 PSI @ 650 F

SPECIFICATIONS

CRN H8368.1234567890	GAL. 15 SA. 9.1
WELD DETAILS: M-1932	WT. 66# CU.FT. 1.9
STD. TOLERANCES (UNLESS OTHERWISE NOTED): M-2461	



Q.A. 3000

HORIZONTAL AIR RECEIVER

DRAWN BY _____	DATE _____	SCALE: NONE
APP. BY _____	DATE _____	DRAWING NO. 302465