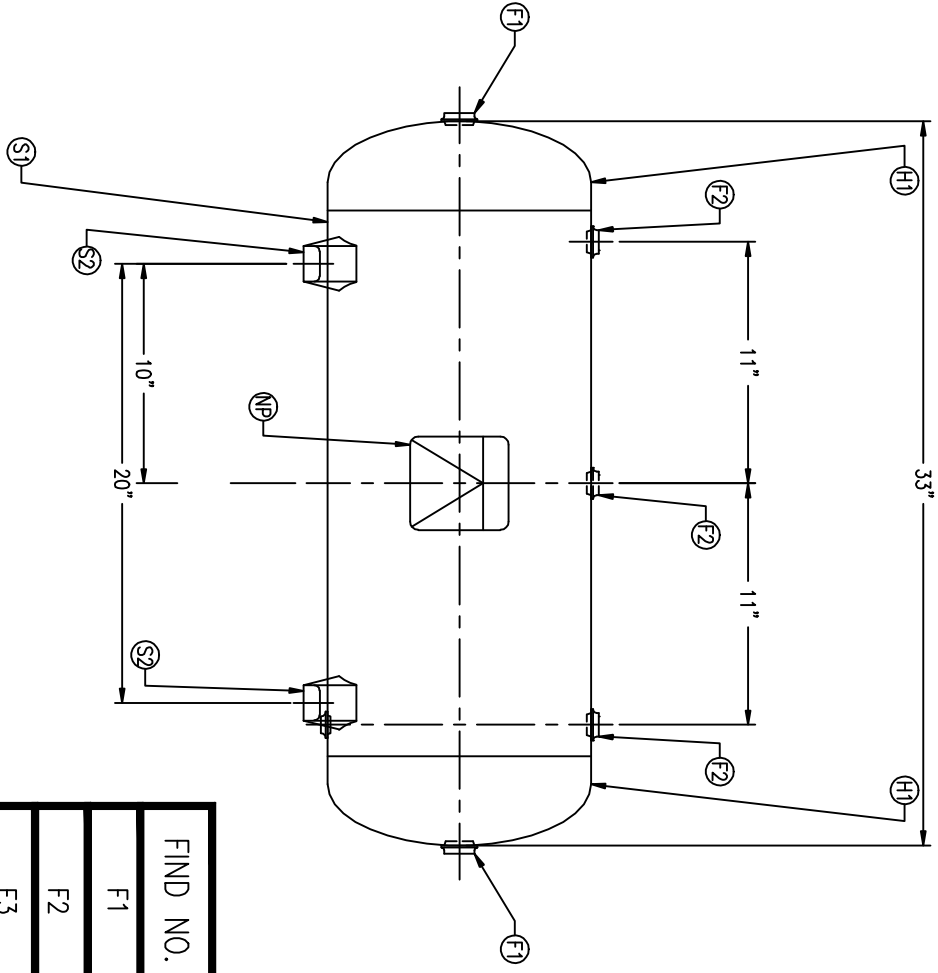
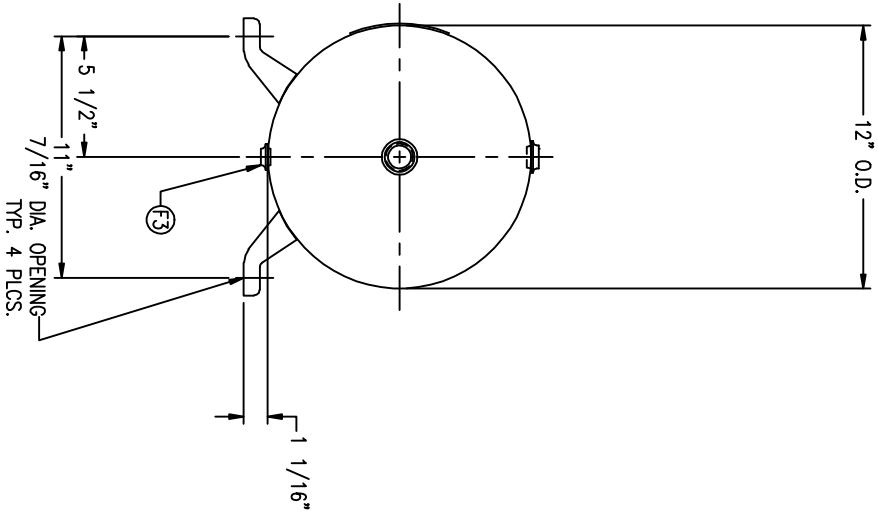


CODE/ADDENDA _____ APPROVED _____
 RELEASED FOR PRODUCTION
 Q.C. _____ DATE _____



FIND NO.	NPT SIZE
F1	3/4
F2	1/2
F3	1/4



SWM DATE BY

REVISION

APP XREF REV.

C695 C
 C1012

NOTES

SPECIFICATIONS

O.D. 12 LGTH. 33
 MAWP 200 PSI @ 650 F

GAL. 15 S.A. 9.1
 WT. 51# CU.FT. 2.0

CRN F1144.1C
 WELD DETAILS: M-1932
 STD. TOLERANCES (UNLESS OTHERWISE NOTED): M-2461

CODE: ASME SEC. VIII DIV. 1
 LATEST EDITION & ADDENDA



HORIZONTAL AIR RECEIVER

DRAWN BY _____ DATE _____ SCALE: NONE
 APP. BY _____ DATE _____ DRAWING NO. 302463