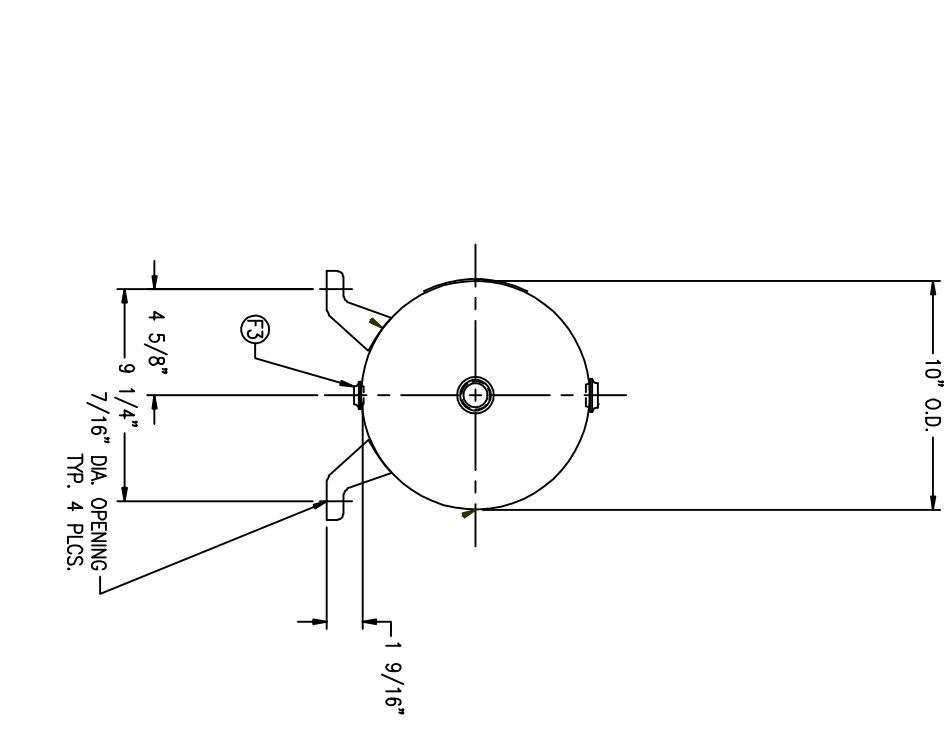
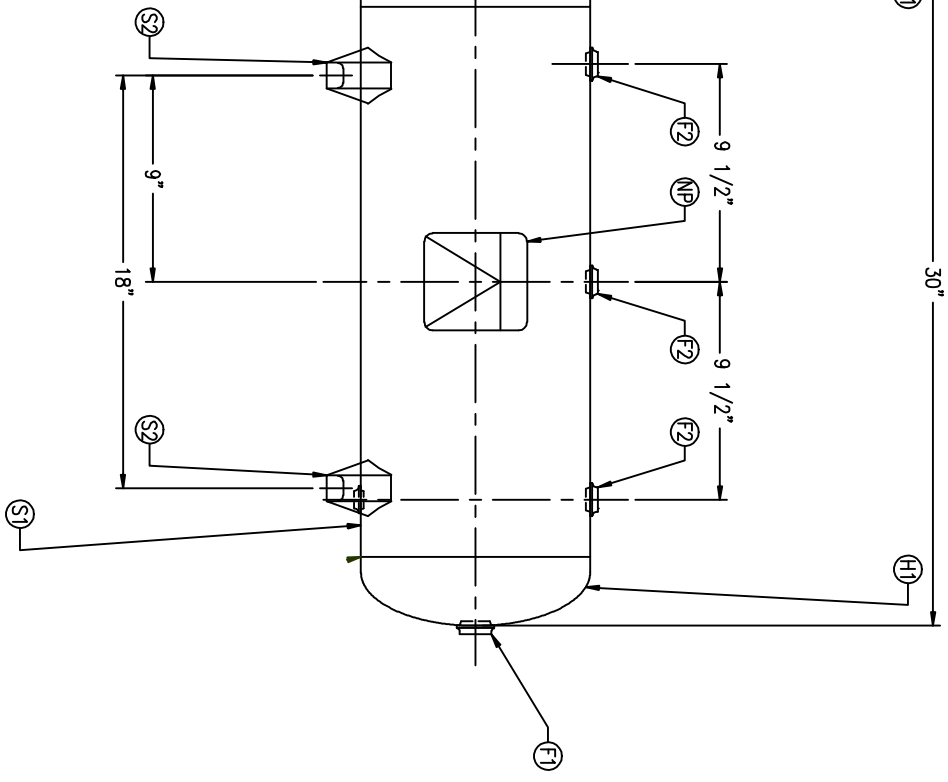


CODE/ADDENDA 2004/- APPROVED JR
 RELEASED FOR PRODUCTION
 Q.C. _____ DATE _____

FIND NO.	NPT SIZE
F1	3/4
F2	1/2
F3	1/4



SYM.	DATE BY	REVISION	APPR.	REF. REV.	NOTES	SPECIFICATIONS
				C1009 A C1011		O.D. 10 LGTH. 30 MAWP 200 PSI @ 650 F



Q:\3000\

HORIZONTAL AIR RECEIVER

DRAWN BY	DATE	SCALE: NONE
APP. BY	DATE	DRAWING NO. 302460

CODE: ASME SEC. VIII DIV. 1
 LATEST EDITION & ADDENDA
 GRN F2150.1C
 WELD DETAILS: M-1932
 STD. TOLERANCES (UNLESS OTHERWISE NOTED): M-2461