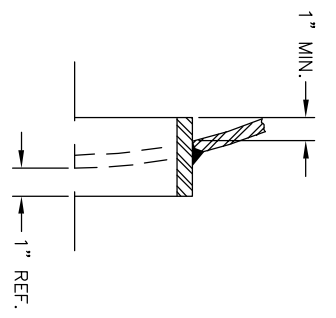
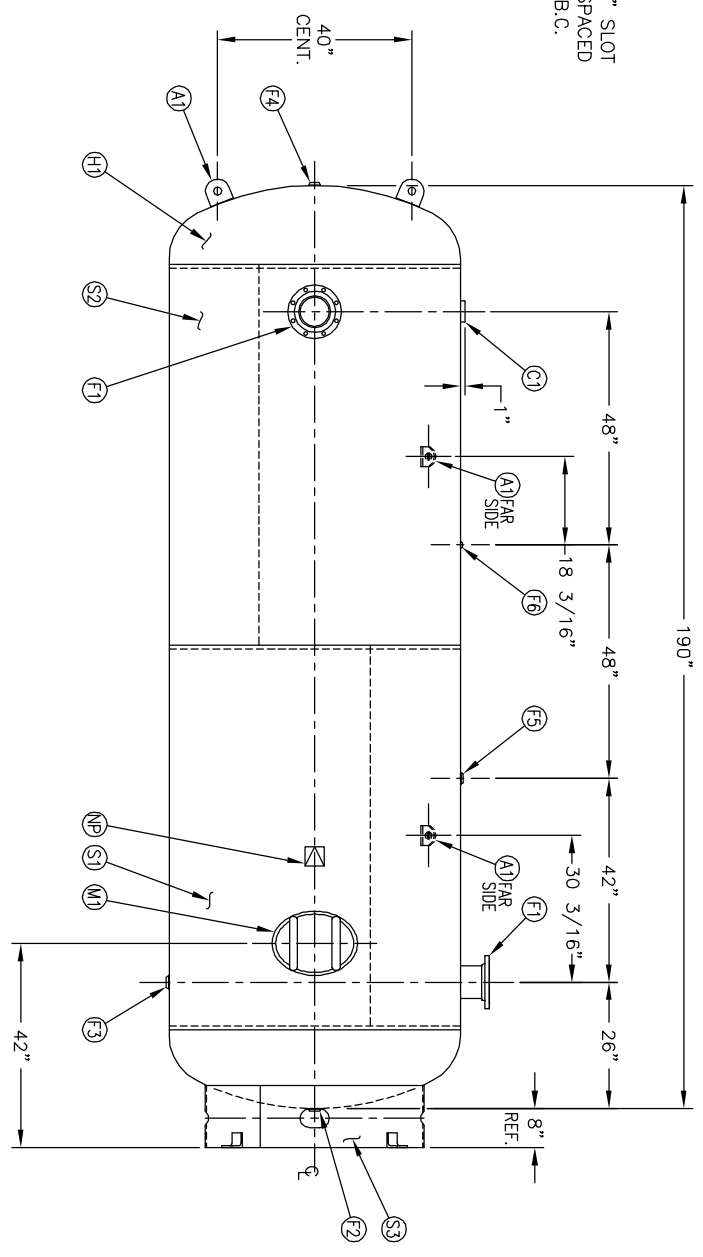
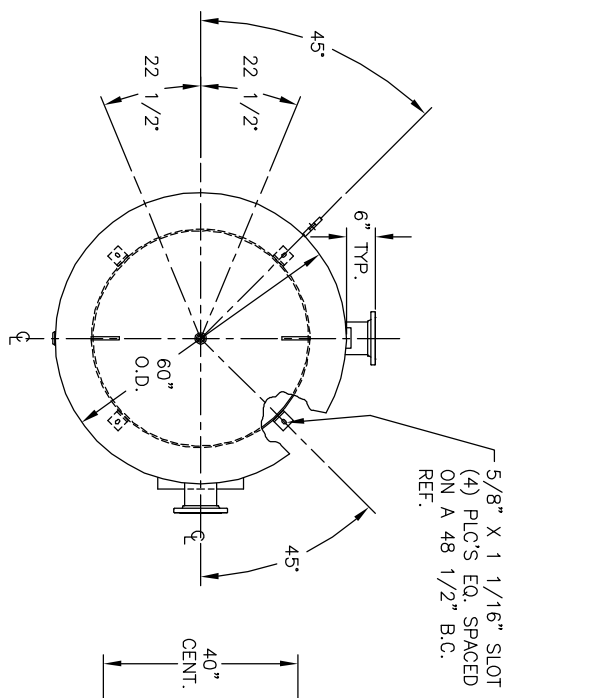


6" NOZZLE DETAIL



MANWAY DETAIL

NO. QTY	DESCRIPTION	SPEC	SUB-DWG.
S1 1			
S2 1			
H1 2			
F1 2	6" 150# ANSI REF. SQ. FLANGE	SA-105	
F1 2	6" S/80 PIPE X 7 1/2" LONG	SA-106-B	
F1 2	.134 X 8 5/8" O.D. X 6 5/8" I.D. BACKING RING	C1008/SA-36	
F2 1	1 1/4"-NPT 1500# FLAT FLANGE	SA-181-70	
F3 1	1 1/4"-NPT 1500# RADIAL FLANGE	SA-181-70	
F4 1	1"-NPT 1500# FLAT FLANGE	SA-181-70	
F5 1	1"-NPT 1500# RADIAL FLANGE	SA-181-70	
F6 1	1/4"-NPT 1500# FLAT FLANGE	SA-181-70	
C1 1	3"-NPT 3000# HALF COUPLING	SA-105	
M1 1	12" X 16" X 3/4" X 4" 300# MANWAY	SA-106-C	
A1 4	3/4" X 5" X 5" STANDARD LIFT LUG		A84524
S3 1	STANDARD 8" BASERING ASSEMBLY FOR 60" DIA.		A85012
NP 1	ASME DATA PLATE	C1010	



REV	DATE	BY	REVISION	APP	DATE	REV	NOTES
A		EGB		TA			
B		CH		JR			
C		CH		JR			
D		JPR		AMA			
E		JC		JC			
F		BS		BS			

MANCHESTER TANK Q: 3000

VERTICAL AIR RECEIVER

CODE/ADDENDA RELEASED FOR PRODUCTION APPROVED
O.C. _____ DATE _____

Q.D. 60 LGTH. 190 SH. HD.
 MAMP 165 PSI @ 450 F.
 RT- MDMT -20 F @ 165 PSI GAL. 2200 SA. 264
 EXMT TEST W.T. 3535 C.U.F.T. 294.1
 XRAY TEST CORR ALW SH HD
 CRN -- PER DATE OF DWG/LAST REV CODE ASME SEC. VIII DIV. 1

WELD DETAILS: M-1932
 STD. TOLERANCES (UNLESS OTHERWISE NOTED): M-2461

DRAWN BY: C. HAYRE DATE: _____
 APP. BY: J. REED DATE: _____

SCALE: NONE
 DRAWING NO. 302449