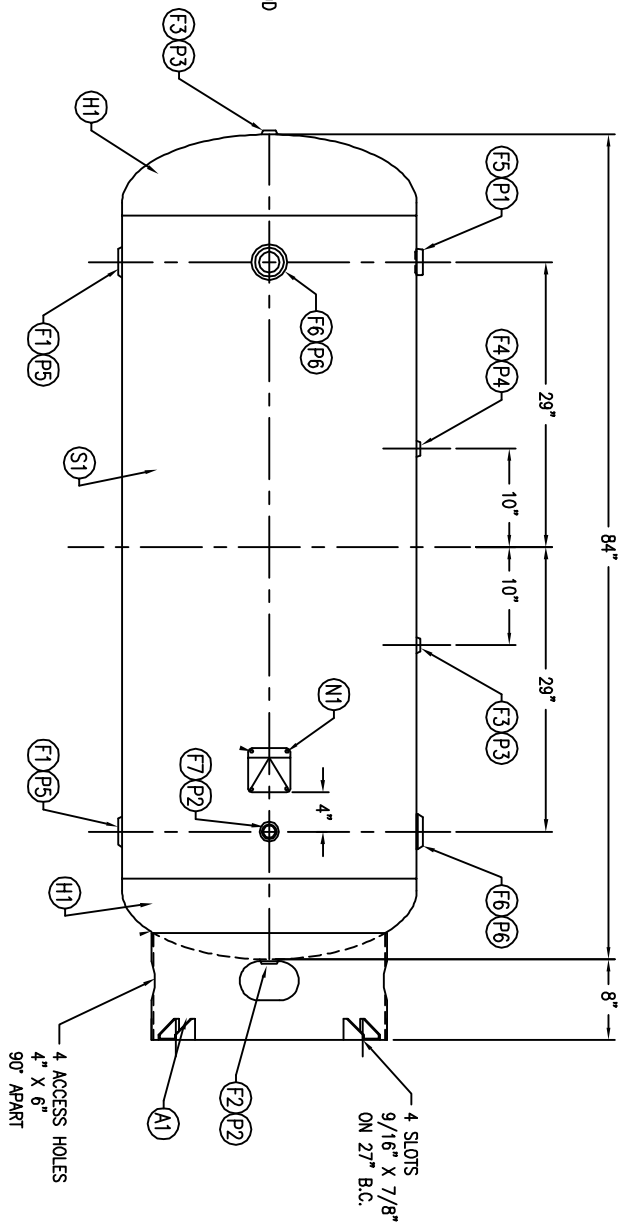
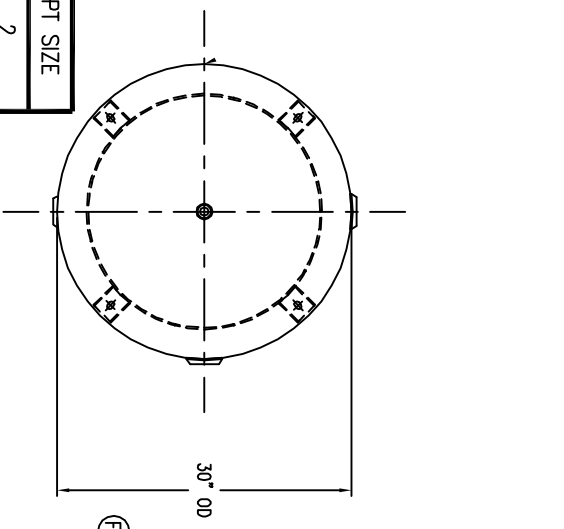


CODE/ADDENDUM _____ APPROVED _____
 RELEASED FOR PRODUCTION
 Q.C. _____ DATE _____



FIND NO.	NPT SIZE
F1	2
F2	1
F3	1/2
F4	1/4
F5	1-1/2
F6	2
F7	1

SYM	DATE	BY	REVISION	APP	NOTES
A		ECB		TA	
B		CDH		JR	
C		JC		AMA	
D		JC		JC	
E		JC		JC	

SPECIFICATIONS	
O.D.: 30	LGTH: 84
MAWP: 300 PSI @ 400° F	HD: MAT'L:
RT MDMT: F @ 300 PSI	GAL: 240
EXMT:	WT: 850 # CU.FT: 31.1
X-RAY:	CONR ALW: SH HD
CRN# F1629.123456	CODE: ASME / NB
	PER DATE OF DWG/LAST REV

WELD DETAILS M-1932
 STD. TOLERANCES (UNLESS OTHERWISE NOTED) M-2461

MANCHESTER

VERTICAL AIR RECEIVER
 240 GALLON

Q:\3000

DRAWN BY	DATE	SCALE: NONE
APP. BY	DATE	DRAWING NO.
AS		302429

REF 283008400260
 3189