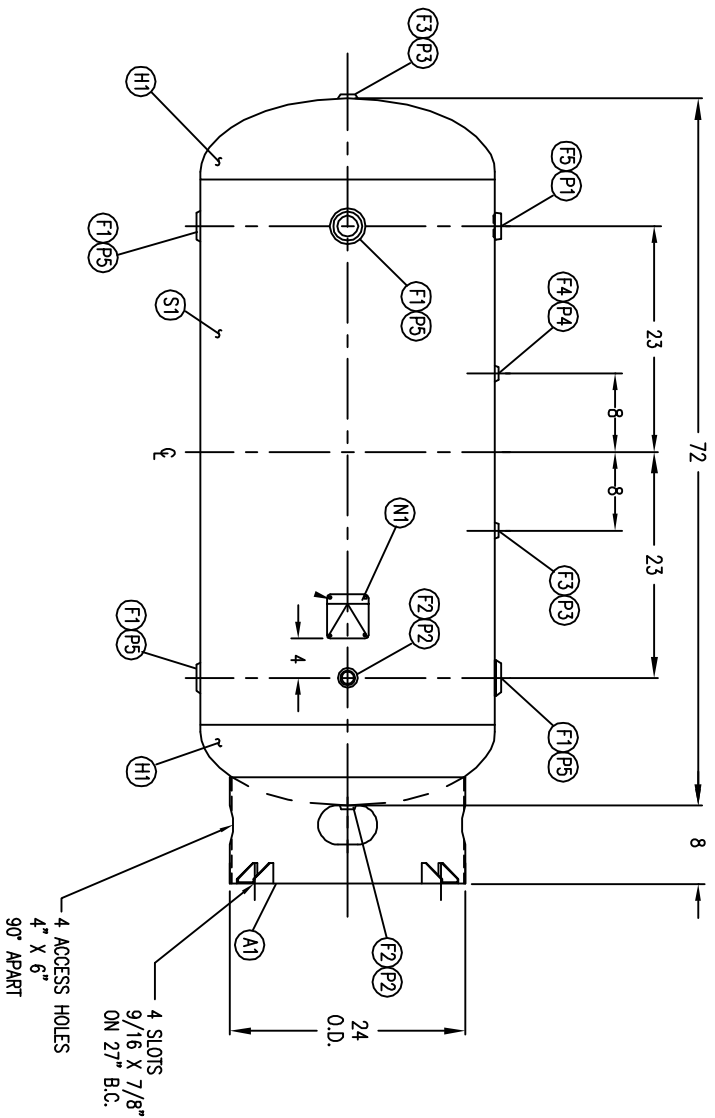
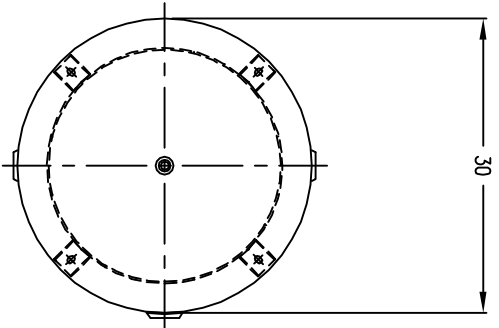



CODE/ADDENDA _____ APPROVED _____
 RELEASED FOR PRODUCTION
 Q.C. _____ DATE _____



FIND NO.	NPT SIZE
F1	2
F2	1
F3	1/2
F4	1/4
F5	1-1/2

SYML	DATE	BY	REVISION	APP	NOTES
A		ECB			
B		JC		TA	
C		JC		JC	

SPECIFICATIONS	
O.D.: 30	LGTH: 72
MAWP: 200 PSI @ 400° F	RT MDMT: F @ 400° F
EXMT:	PSI
X-RAY:	
CRN#:	
WELD DETAILS M-1932	
STD. TOLERANCES (UNLESS OTHERWISE NOTED) M-2461	
GAL: 200	Sa: 51 ft ²
WT: 450 #	CUL.FT: 27
CODE: ASME / NB	HD
PER DATE OF DWG/LAST REV	



DANQUISTER

VERTICAL AIR RECEIVER
200 GALLON

Q:\3000

DRAWN BY	DATE	SCALE: NONE
APP. BY	DATE	DRAWING NO.
AS		302426