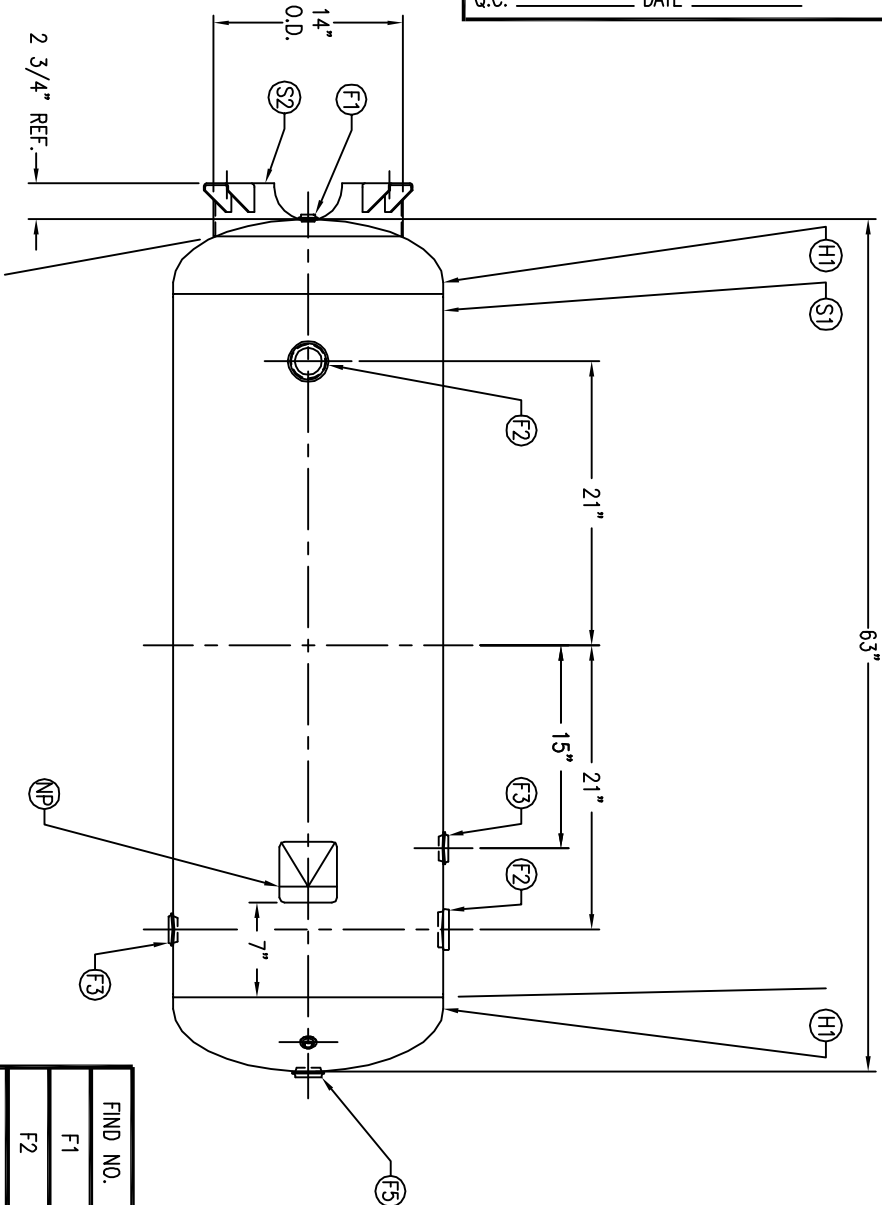
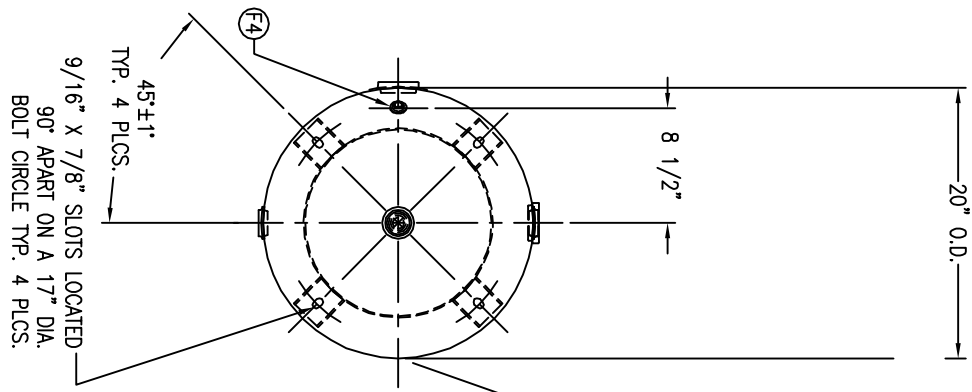


CODE/ADDENDA APPROVED
 RELEASED FOR PRODUCTION
 Q.C. _____ DATE _____



FIND NO.	NPT SIZE
F1	1/2
F2	2
F3	1-1/4
F4	1/4
F5	1-1/4



REVISION

APP XREF REV.

NOTES

SPECIFICATIONS

VERTICAL AIR RECEIVER

SYM	DATE	BY	APP	XREF	REV.	NOTES	O.D. 20 LGTH. 63 SH. HD. MATL. MAMP 300 PSI @ 690 F RT- MDMT T@ PSI WT. 268# CORR ALW XRAY CRN F1164.1C	SH. HD. MATL. GAL. 80 S.A. 28.8 CU.FT. 10.3 SH HD CODE: ASME SEC. VIII DIV. I, LATEST EDITION & ADDENDA	DRAWN BY DATE	SCALE: NONE
	A	EGB	TA	EGB	TA					
B		TA							JR	



bed \ vme \ 302