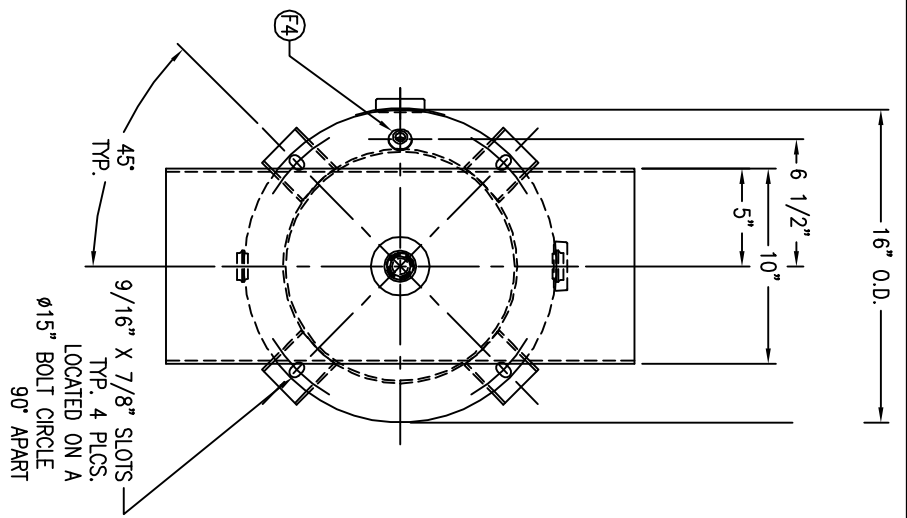
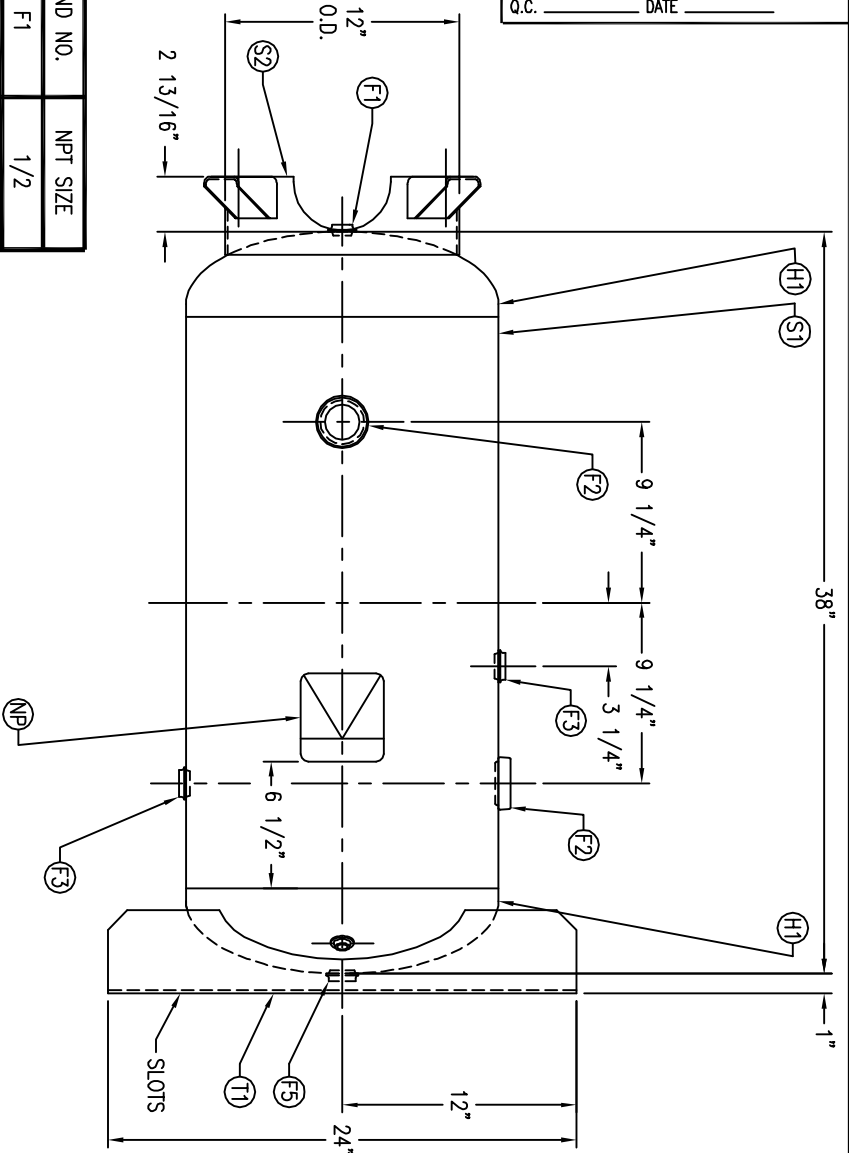


APPROVED
 RELEASED FOR PRODUCTION
 Q.C. _____ DATE _____




FIND NO.	NPT SIZE
F1	1/2
F2	1-1/2
F3	3/4
F4	1/4
F5	3/4

SYMBOL	DATE	BY	REVISION
A		EGB	
B		EGB	
C		EGB	

APP	NOTES
EGB TA EGB	

SPECIFICATIONS	
O.D. 16	LGTH. 38
MAMP 300 PSI @ 650 F	SH. HD.
RT- MDMT -20 F @ 300 PSI	MAT'L
EXMT U620(1) TEST W	SA. 14.1
CRN H5007.1234567890	WT. 139#
	CORR ALW
	SH
	HD
	PER DATE OF DWG/LAST REV
	CODE ASME SEC VIII DIV I
	WELD DETAILS: M-1932
	STD. TOLERANCES (UNLESS OTHERWISE NOTED): M-2461



METERRATN,APPS\DWG_302

VERTICAL AIR RECEIVER

SCALE: NONE

DRAWING NO. **302409**

DRAWN BY EGB	DATE
APP. BY MR	DATE