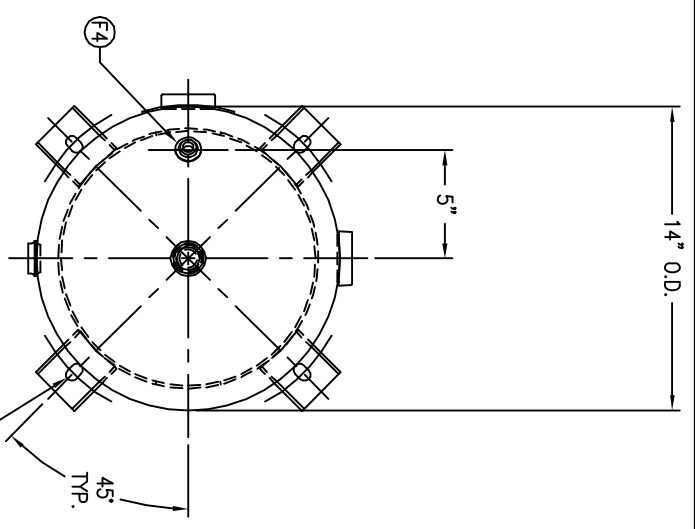
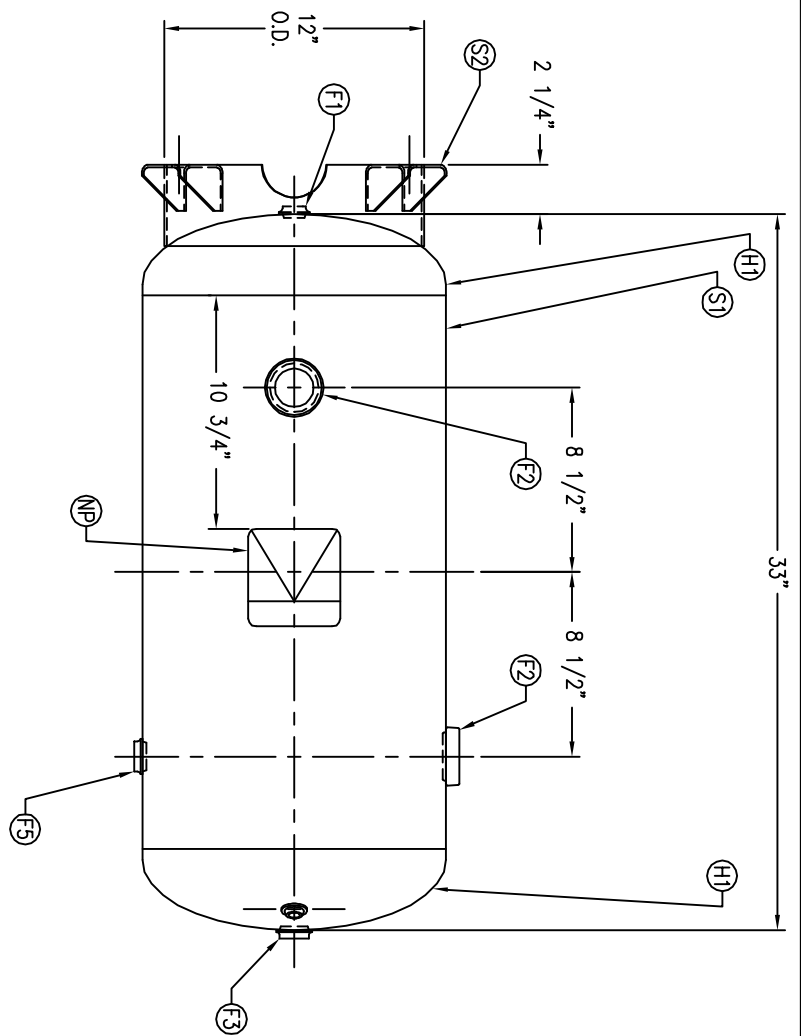


CODE/ADDENDA _____ APPROVED _____
 RELEASED FOR PRODUCTION
 Q.C. _____ DATE _____



9/16" X 7/8" SLOT
 ON A 15" BOLT CIRCLE
 TYP. 4 PLGS.


FINND NO.	NPT SIZE
F1	1/2
F2	1-1/2
F3	3/4
F4	1/4

SYM	DATE	BY	REVISION
A		EGB	
B		CDH	

APP	XREF	REV.
EGB	JR	

NOTES

SPECIFICATIONS	
O.D. 14	LGTH. 33
MAMP 300 PSI @ 650 F	SH. HD.
RT- MDMT -20 F @ 300 PSI	MATL. S.A. 10.7
EXMT U620(1) TEST W	WT. 97#
CRN N/A	CORR ALW
WELD DETAILS: M-1932	CODE: ASME SEC. VIII DIV. 1
STD. TOLERANCES (UNLESS OTHERWISE NOTED): M-2461	LATEST EDITION & ADDENDA



MANCHESTER
 BED1 \ DWG \ 3000 \

VERTICAL AIR RECEIVER

DRAWN BY EGB	DATE	SCALE: NINE	DRAWING NO. 302405
APP. BY MR	DATE		