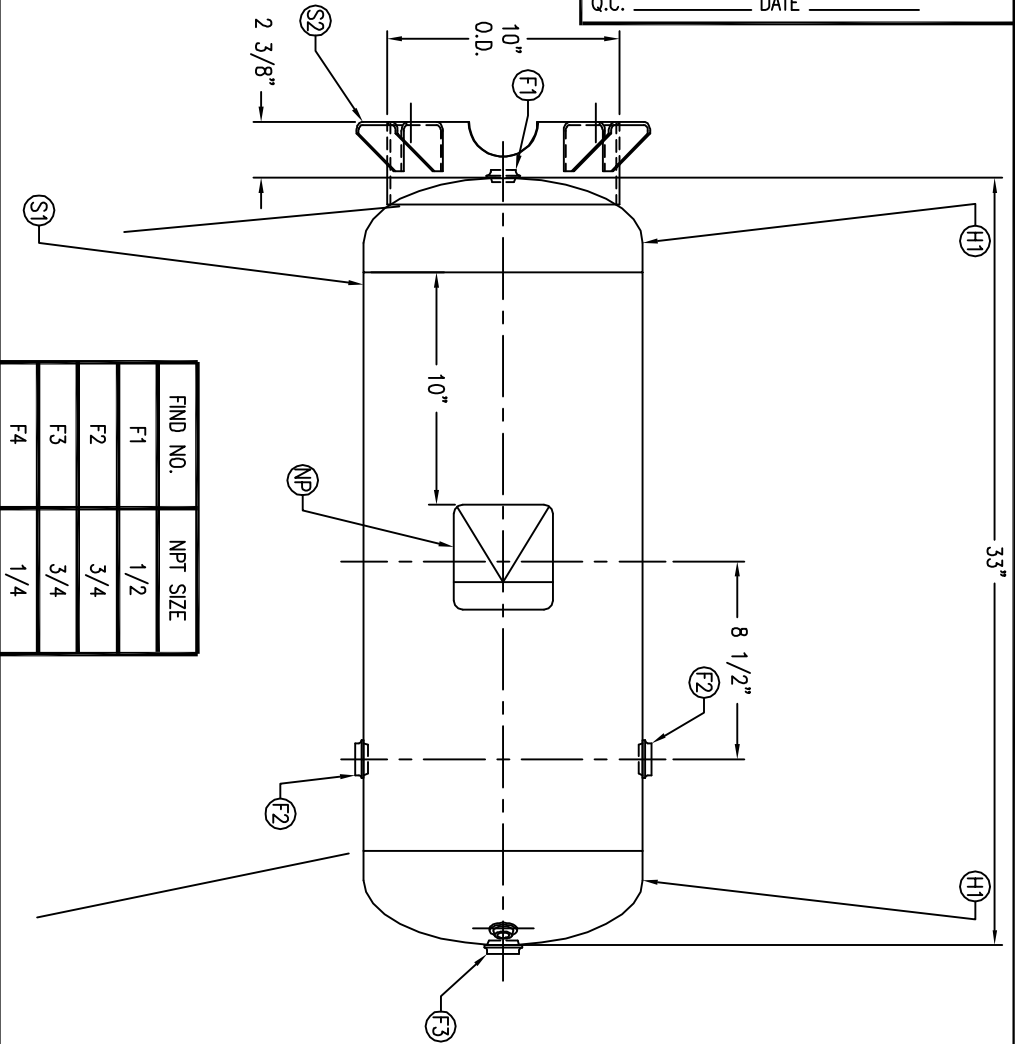


CODE/ADDENDA APPROVED  
 RELEASED FOR PRODUCTION  
 Q.C. \_\_\_\_\_ DATE \_\_\_\_\_



FIND NO.	NPT SIZE
F1	1/2
F2	3/4
F3	3/4
F4	1/4

SYM	DATE	BY	REVISION
A		EGB	
B		EGB	

APP	XREF	REV.
EGB	C989	B
EGB	C988	

NOTES

SPECIFICATIONS

O.D. 12 LGTH. 33 SH. MAT'L  
 MAMP 300 PSI @ 650 F HD. MAT'L  
 RT- MDMT -20 F @ 300 PSI GAL. 15 S.A. 9.1  
 EXMT TEST PSI WT. 60# CU.F.T. 2.0  
 CRN H8368.1234567890 CORR ALW SH HD  
 WELD DETAILS: M-1932  
 STD. TOLERANCES (UNLESS OTHERWISE NOTED): M-2461

**MANCHESTER**  
 mfrctrn.apprss\DWG\302

**VERTICAL AIR RECEIVER**

DRAWN BY	DATE	SCALE
EGB		NONE
APP. BY	DATE	DRAWING NO.
MR		302403

