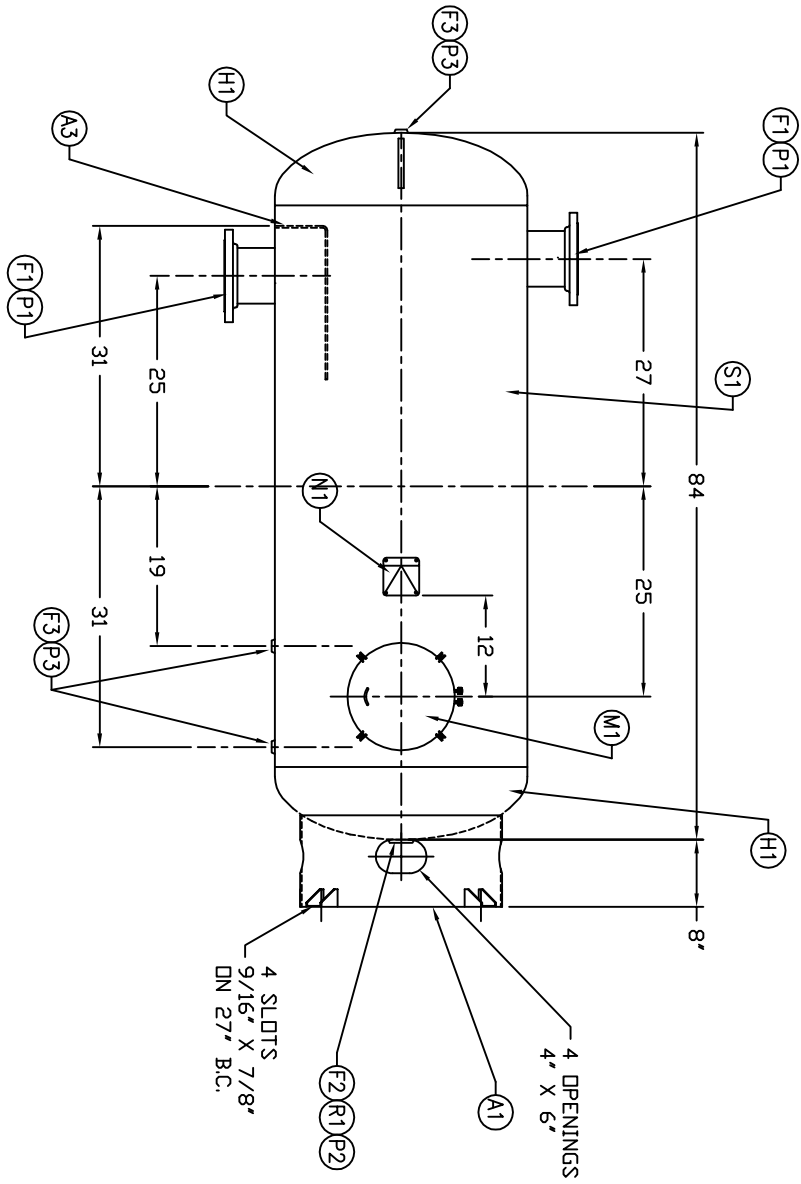
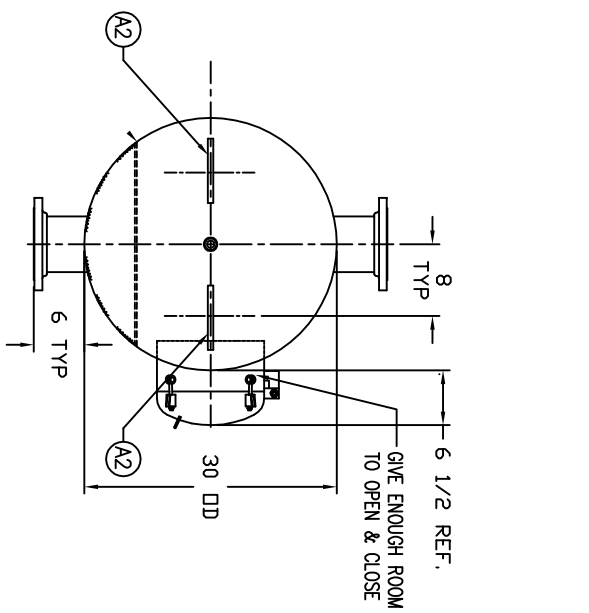


CODE/ADDENDA _____ APPROVED _____
 RELEASED FOR PRODUCTION
 O.C. _____ DATE _____

NO.	QTY	SUB.DWG.	DESCRIPTION
H1	2		
S1	1		
M1	1	A78363	HINGED CLOSURE 12.75 OD X .500
F1	2	A50206	RFSSO ASSY 6" 150# SCH 40
F2	1		FLANGE: 2" NPT FLT
F3	3		FLANGE: 1/2" NPT
A1	2	A85002	BASERING ASSY FOR 30" TANK
A2	1	A21300	LIFT LUG 1/2" X 9-1/2"
A3	1	A78364	BAFFLE: .179 X 14 X 11 7/16

NO.	QTY	SUB.SDWG	DESCRIPTION
N1	1		NAMEPLATE: ASME / NB
P1	2		PLUG: 6" RFSSO COVER
P2	1		PLUG: 2" NPS HX HD (O-RING STYLE)
P3	3		PLUG: 1/2" PLASTIC
R1	1		O-RING FOR 2" FLANGE



SYM	DATE	BY	REVISION	APP
			1 FULL VACUUM AT 566°F	

NOTES

SPECIFICATIONS

0.0, 30 LGTH. 84
 MAMP 150 PSI @ 566 F
 CRN ---
 WELD DETAILS: M-1932
 STD. TOLERANCES (UNLESS OTHERWISE NOTED): M-2461

MANCHESTER TANK

VERTICAL VACUUM RECEIVER

DRWN BY _____ DATE _____
 APP. BY _____ DATE _____

SCALE: NONE
 DRAWING NO. 300959