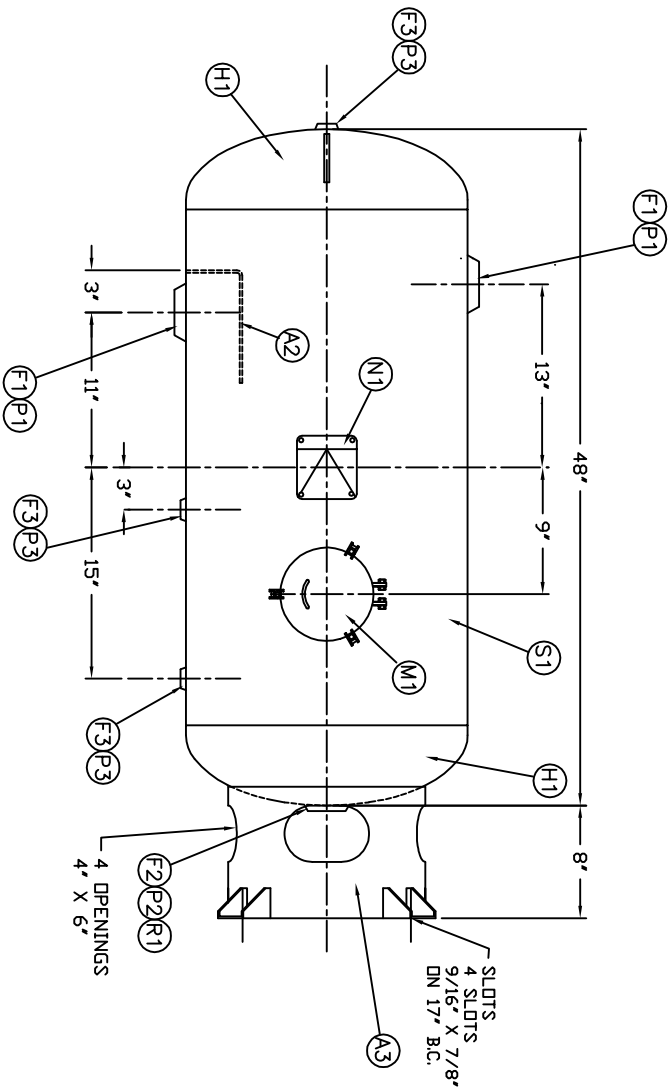
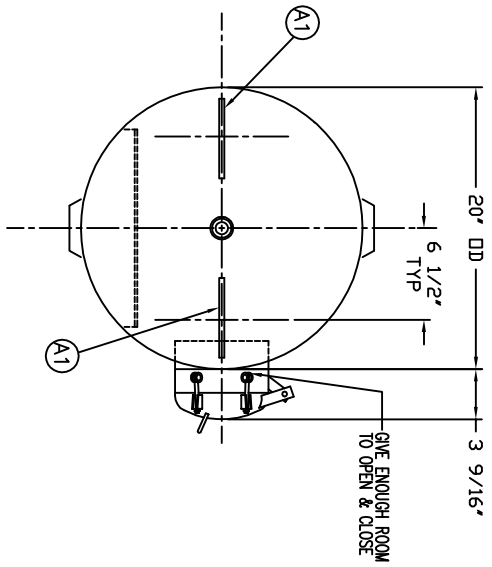


CODE/ADDENDA _____ APPROVED _____
 RELEASED FOR PRODUCTION _____
 Q.C. _____ DATE _____

NO.	QTY	SUB.DWG.	DESCRIPTION	AP.G
A3	1	A85081	BASERING ASSY FOR 20" TANK	AP.G
N1	1		NAMEPLATE: ASME / NIB	AP.G

NO.	QTY	SUB.DWG.	DESCRIPTION	AP.G
H1	2			
S1	1			
F1	2		FLANGE: 3 NPT RAD	SA-181-70
F2	1		FLANGE: 2 NPT FLT (O-RING STYLE)	SA-181-70
F3	3		FLANGE: 1/2 NPT	SA-181-70
P1	2		PLUG: 3 NPT PLASTIC	
P2	1		PLUG: 2 NPT NPS HX HD	
P3	3		PLUG: 1/2 NPT PLASTIC	
R1	1		O-RING FOR 2 NPT FLANGE	
M1	1	A78577	HINGE CLOSURE 6.625 OD X .437 150 PSI	SA106-B
A1	2	A21300	LIFT LUG 1/2" X 9-1/2"	AP.G
A2	1	A78579	BAFFLE: .179 X 11-7/16 X 14	AP.G



SYM	DATE	BY	REVISION	APP
			FULL VACUUM AT 566°F	

NOTES

SPECIFICATIONS

OLD 20 LGTH. 48
 NAMEP 150 PSI @ 566 F
 CRN ---
 FULL VACUUM AT 566°F
 CODE ASME SECT. VIII, DIV.1
 PER DATE OF DWG/LST REV
 STD. TOLERANCES (UNLESS OTHERWISE NOTED): M-2461



VERTICAL
 VACUUM RECEIVER

DRAWN BY	DATE	SCALE	NONE
APP. BY <td>DATE</td> <td>DRAWING NO.</td> <td>300956</td>	DATE	DRAWING NO.	300956