


SYM	DATE	BY	REVISION	APP	NOTES

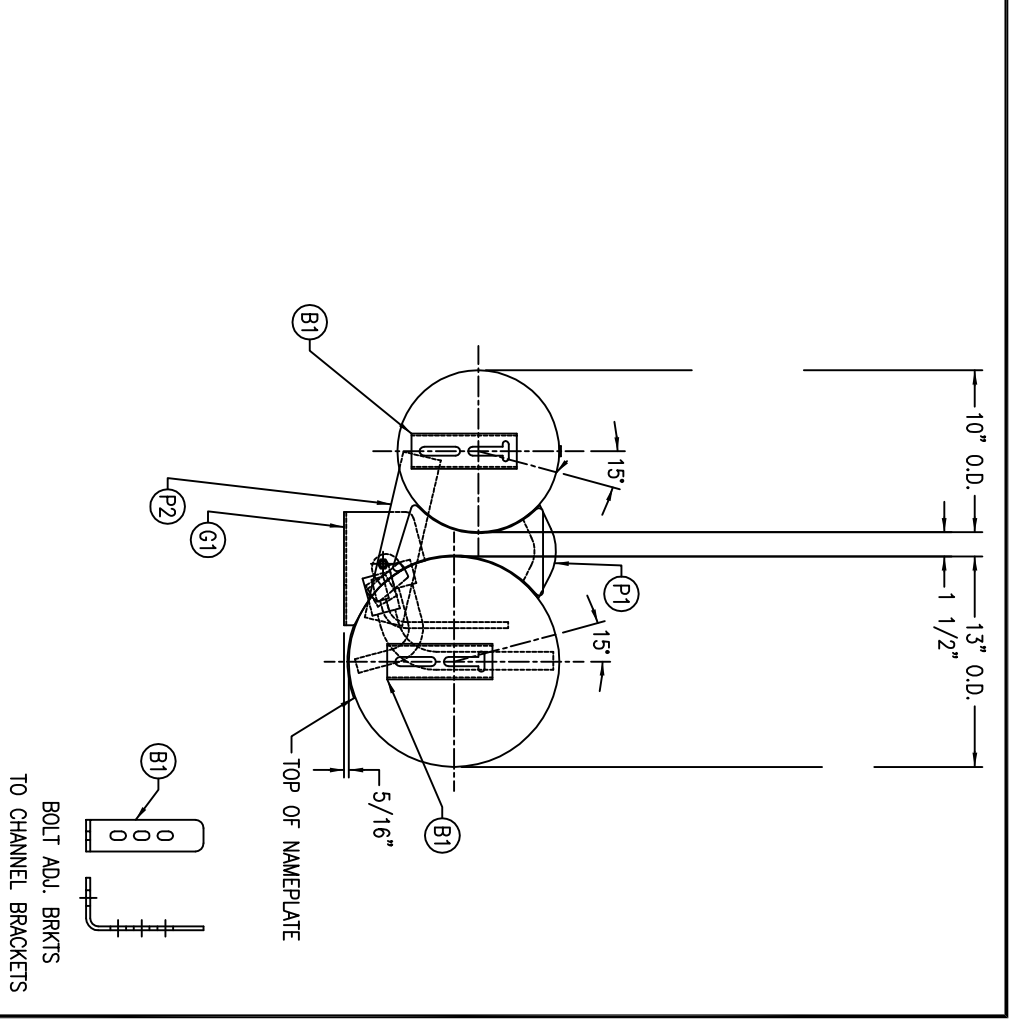
SPECIFICATIONS	
O.D. 10&13 LGTH. 35&33	SH. HD.
MAMP 312 PSI @ 650 °F	GAL. 27.9 SA 17.8
RT- MDMT -20 °F @ 312 PSI	WT. 140# CU.FT. 3.7
EXMT TEST PSI	CORR ALW SH HD
XRAY W	CODE ASME SECT.VIII, DIV.1
CRN M4544.5134678907N; W1828.2	PER DATE OF DWG/FAST REV
WELD DETAILS: M-1932	STD. TOLERANCES (UNLESS OTHERWISE NOTED): M-2461



**MOTORFUEL TANK**

Q: \2000\

DRAWN BY: JR	DATE	SCALE: NONE
APPR. BY: JPR	DATE	DWG NO. 270159



BOLT ADJ. BRKTS  
TO CHANNEL BRACKETS