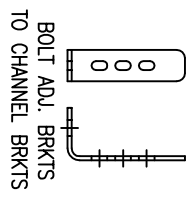
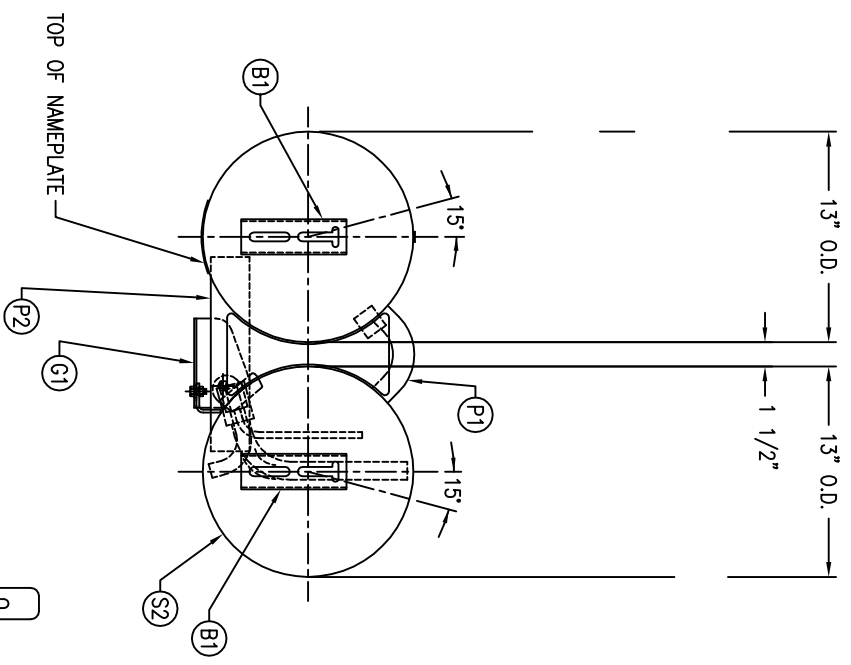
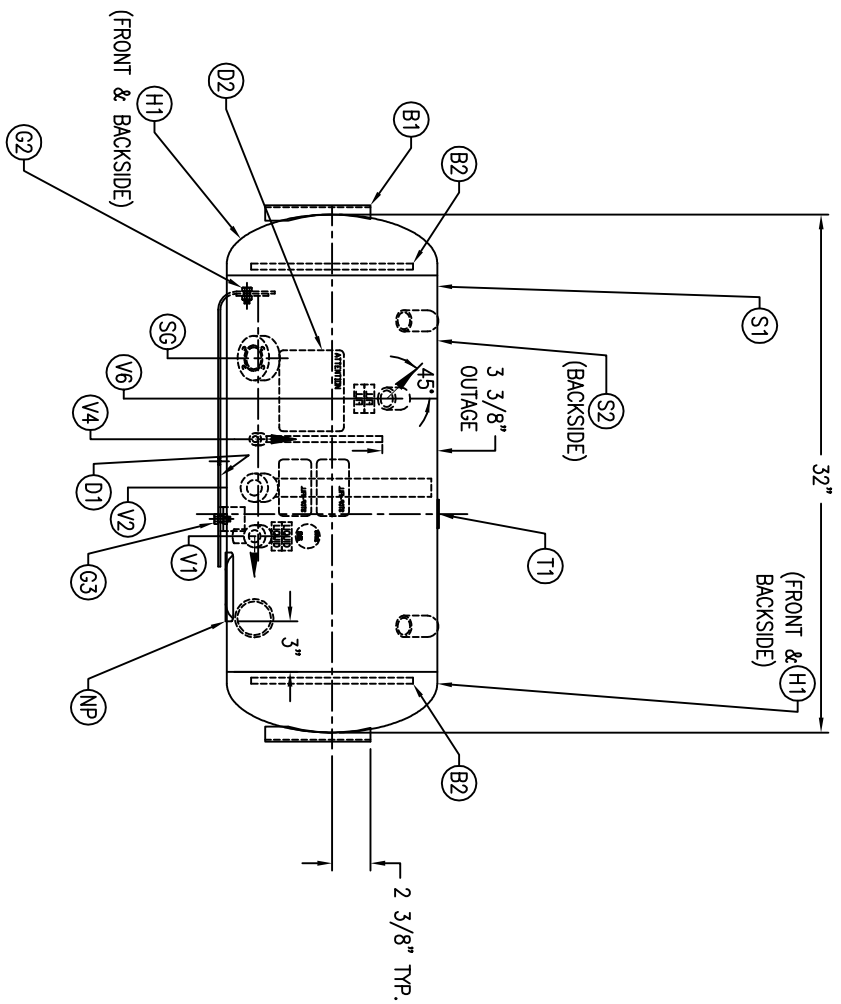
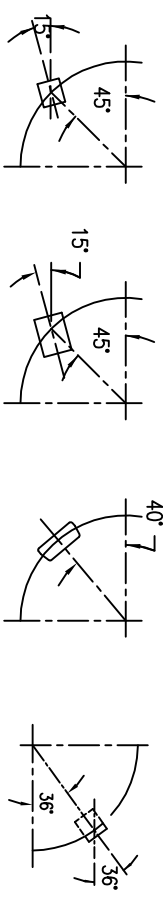



SYMBOL	DATE	BY	REVISION	APP	NOTES
1	JC	JC		JC	

OUTGAGE & RELIEF CPLNG. S.G. ADAPT. FILL CPLNG.



SPECIFICATION	
O.D. 13&13 LGTH. 32	SH. HD.
MAMP 312 PSI @ 650 °F	GAL. 32.8 SA 19.2
RT- MDMT -20 °F @ 312 PSI	WT. 133# CU.FT. 4.2
EXMT TEST PSI	CORR ALW SH HD
CRN W XRAY W	CODE ASME SECT. VIII, DIV.1
CRN M4546.5134678907N; V728.2	PER DATE OF DWG/FAST REV
WELD DETAILS: M-1932	STD. TOLERANCES (UNLESS OTHERWISE NOTED): M-2461



MANIFOLD TANK
REMOTELY FILL

Q1: 2000 \

DRAWN BY: JR	DATE:	SCALE: NONE
APPR. BY: JPR	DATE:	DWG NO. 270158