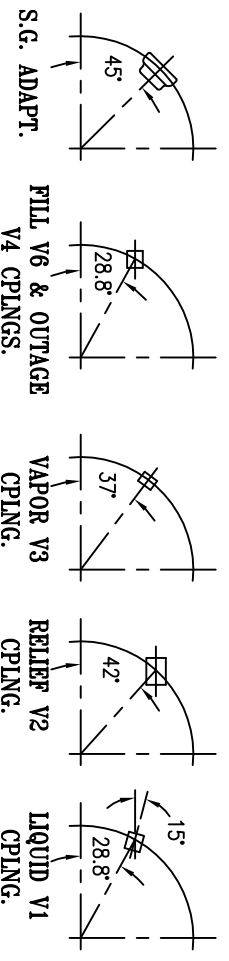
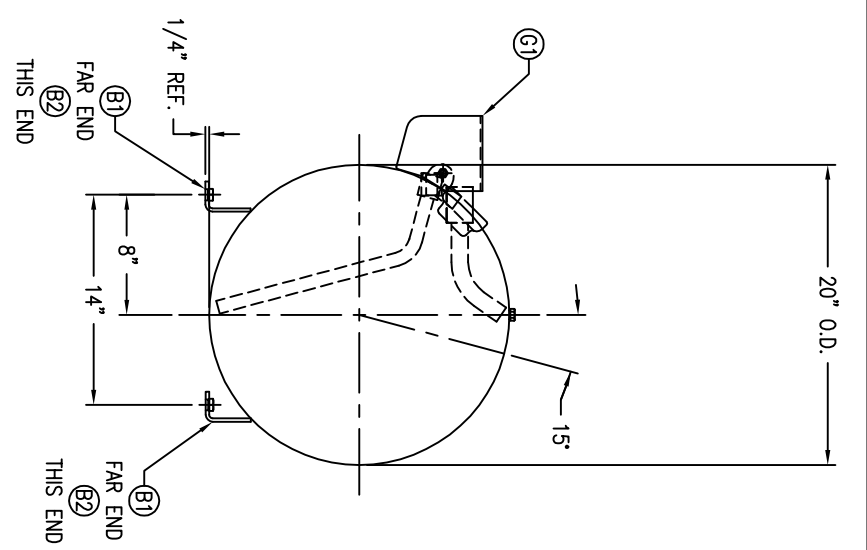
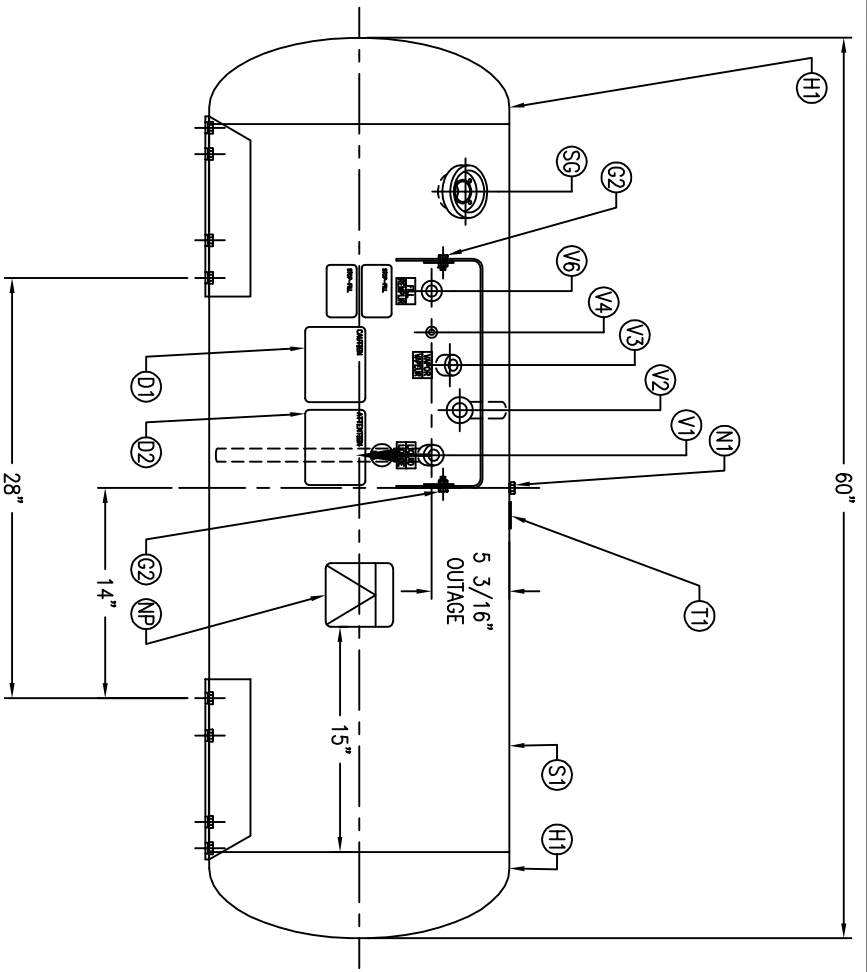


CODE/ADDENDA 2013 APPROVED DP  
 RELEASED FOR PRODUCTION  
 Q.C. \_\_\_\_\_ DATE \_\_\_\_\_



SYM	DATE	BY	REVISION	APP	XREF	REV	NOTES
F		ESB		JR	JC	DP	DS
G		JC		JR	JC	DP	DS
H		DP		JR	JC	DP	DS
J		DS		JR	JC	DP	DS

SPECIFICATION	
O.D. 20	LGTH. 60
MAMP 312	PSI @ 650 °F
RT- MDMT -20 °F @ 312 PSI	GAL. 74.2
EXMT TEST W	WT. 231#
CRN N/A	CU.FT. 10.0
WELD DETAILS: M-1932	SA.27.5
STD. TOLERANCES (UNLESS OTHERWISE NOTED): M-2461	CODE ASME UW-11(g)(5)(b)
	PER DATE OF DWG./AST REV



milfrdn.Apps\$\dwg\2000\

## MOTORFUEL TANK

DRAWN BY: DPQ	DATE:	SCALE: NONE
APPR. BY: RM	DATE:	DRWG NO. 26087