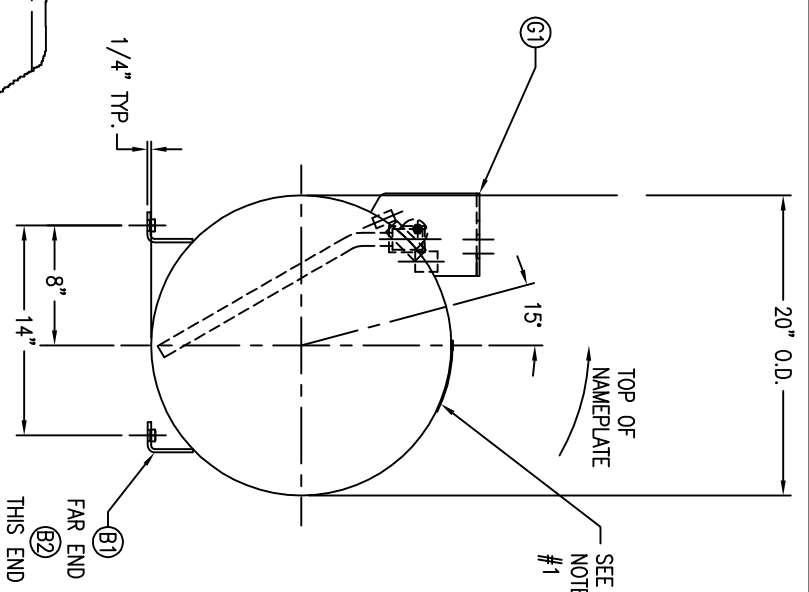
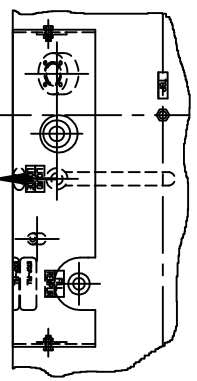
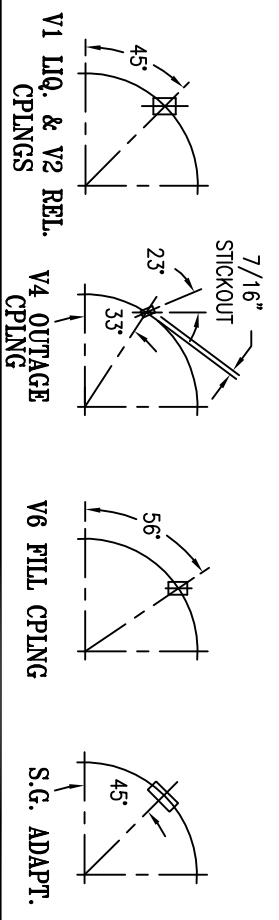
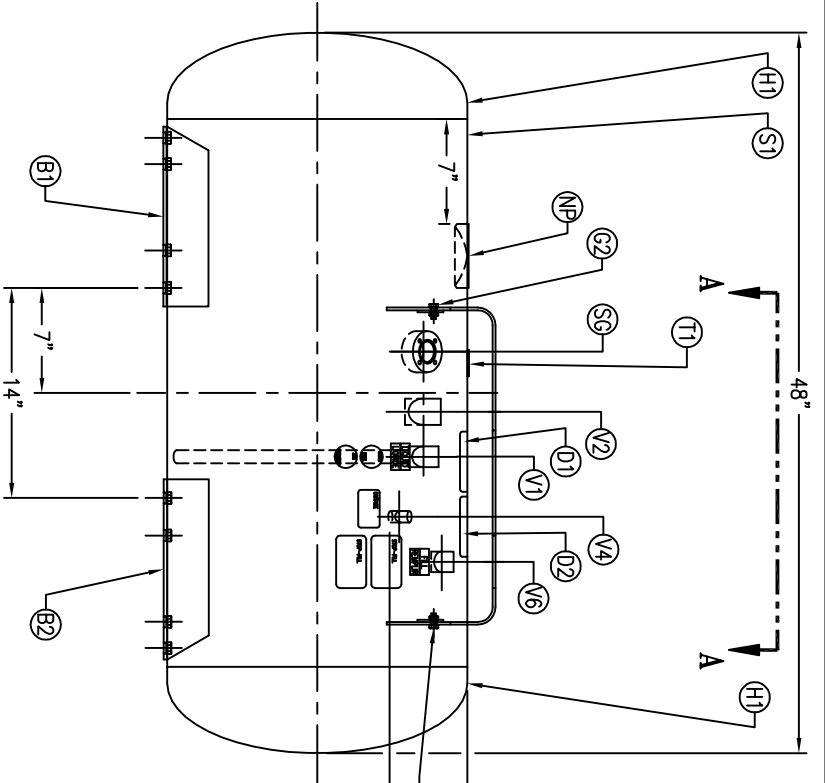


CODE/ADDENDA 2013 APPROVED DP
 RELEASED FOR PRODUCTION
 Q.C. _____ DATE _____



SYM	DATE	BY	REVISION	APP	XREF	REV.	NOTES
G		DP		DP			
H		DP		DP			
J		MK		DW			
				1. NAMEPLATE TO BE READ FROM BACKSIDE OF TANK.			

SPECIFICATION	
O.D. 20	LGTH. 48
MAMP 312	PSI @ 650 °F
RT- MDMT -20 °F @ 312 PSI	GAL. 58.4
SA. 22.2	WT. 196#
CU.FT. 7.8	SH
HD	SH
CRN N/A	SH
WELD DETAILS: M-1932	SH
STD. TOLERANCES (UNLESS OTHERWISE NOTED): M-2461	SH

MOTORFUEL TANK

SCALE: NONE

DRWNG NO. 24457

APPR. BY: RM	DATE
DRAWN BY: DQ	DATE