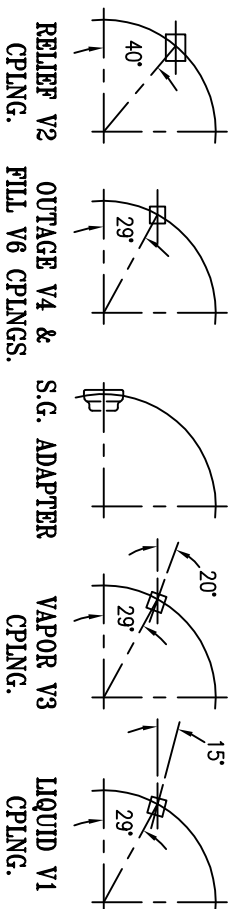
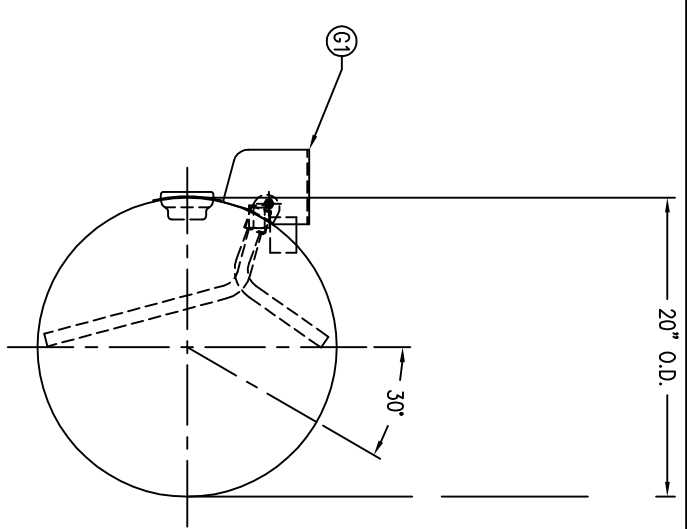
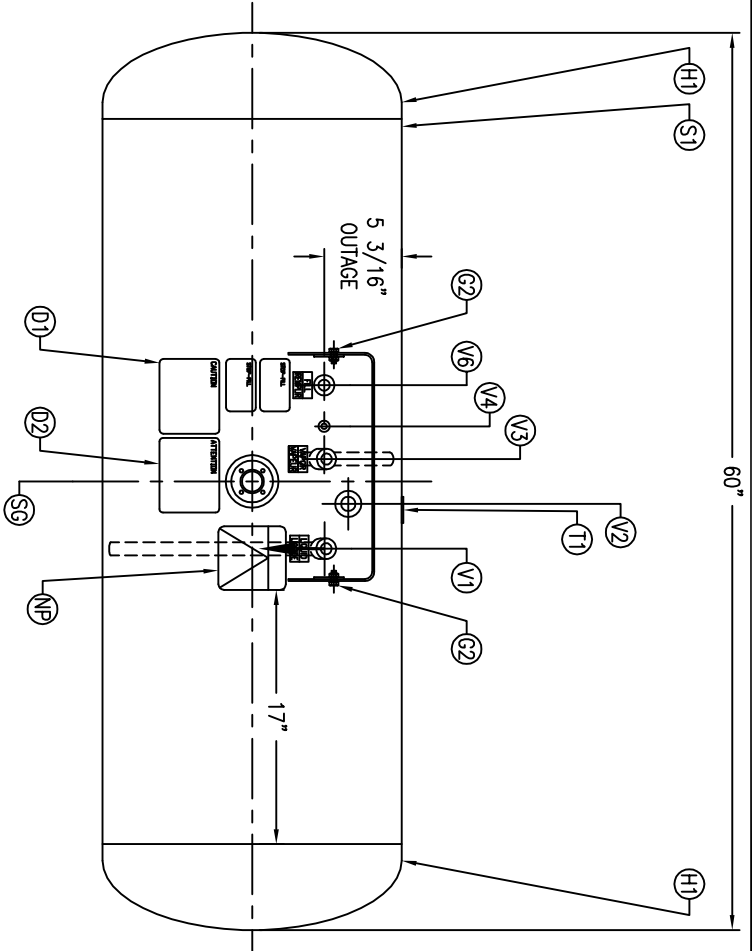



CODE/ADDENDA 2013 APPROVED DP
 RELEASED FOR PRODUCTION
 Q.C. _____ DATE _____



RELIEF V2
 OUTGAGE V4 &
 FILL V6 CPLNGS.
 S.G. ADAPTER
 VAPOR V3
 LIQUID V1
 CPLNGS.

SYM	DATE	BY	REVISION	APP	XREF	REV	NOTES
F		EG8		EG8			
G		JR		JR			
H		JC		JC			
I		DP		DP			
J		DW		DW			
K							

SPECIFICATIONS	
O.D. 20	LGTH. 60
MAMP 312	PSI @ 650 -F
RI - MDMT -20 °F @ 312 PSI	
EXMT	TEST
XRAY	W
CRN M4522.5C	
SH. HD.	SH. HD.
WT. 217#	S.A. 27.5
CORR ALW	CU.FT. 9.9
CODE ASME SECT. VIII, DIV.1	
PER DATE OF DWG/LAST REV	
WELD DETAILS: M-1932	
STD. TOLERANCES (UNLESS OTHERWISE NOTED): M-2461	



metfrdn.appr\dwg\2000\

MOTORFUEL TANK

DRAWN BY: TK	DATE:	SCALE: NONE
APPR. BY: RM	DATE:	DRWG NO. 23567