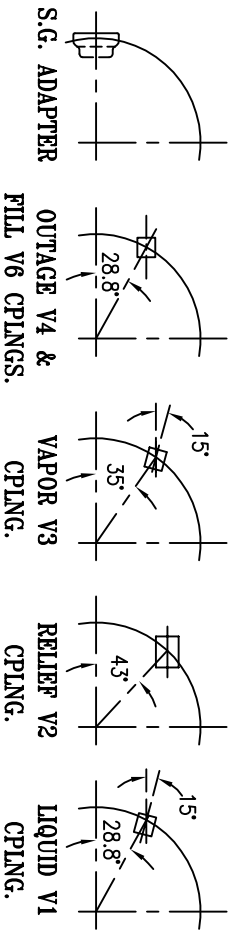
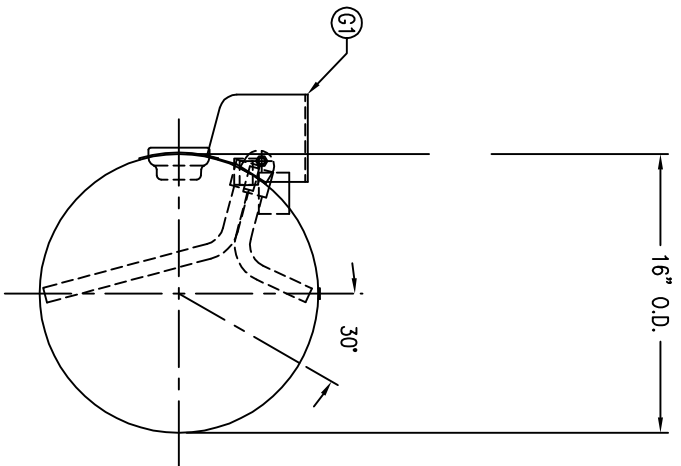
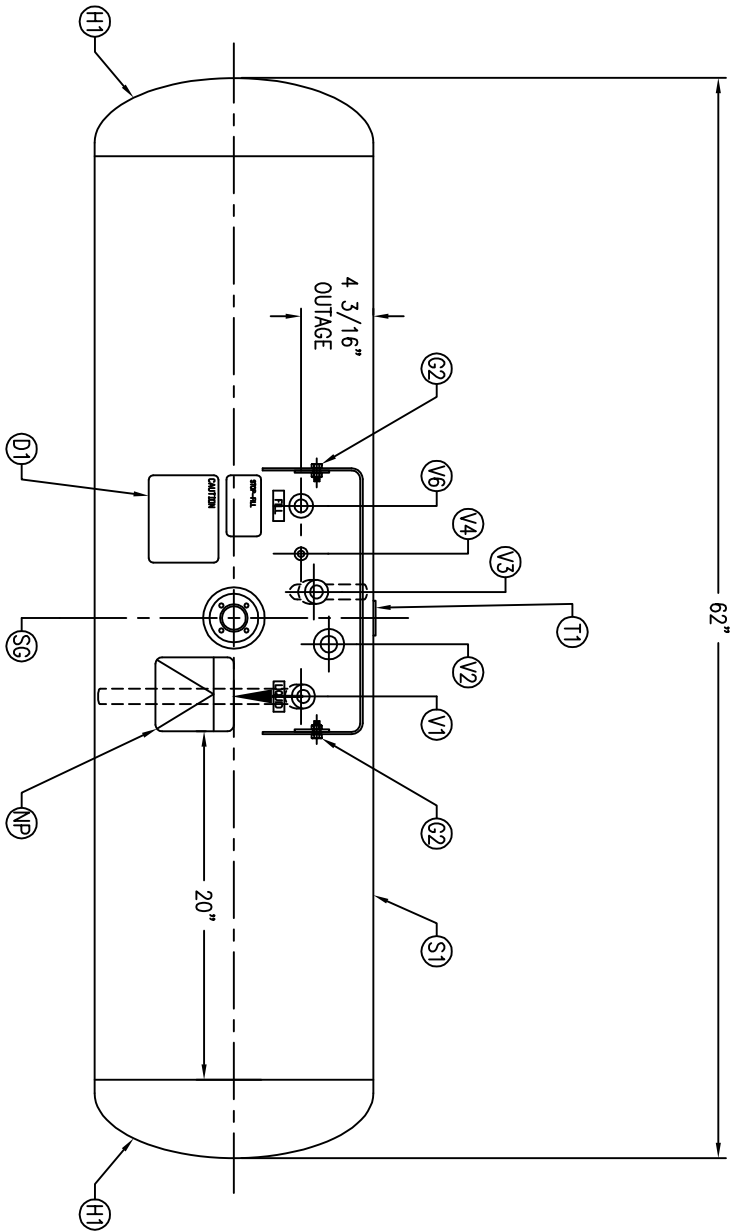



CODE/ADDENDA 2013 APPROVED DP
 RELEASED FOR PRODUCTION
 Q.C. _____ DATE _____



SYM	DATE	BY	REVISION	APP	NOTES
B		EGB			
C		JR			
D		DP			

SPECIFICATIONS	
O.D. 16	LGTH. 62
MAMP 312	PSI @ 650 °F
RT - MDMT -20 °F @ 312 PSI	
EXMT XRAY	TEST W
CRN M4583.5C	
WELD DETAILS: M-1932	
STD. TOLERANCES (UNLESS OTHERWISE NOTED): M-2461	



MANCHESTER

\\mfrtrn\apps\dwg\2000\

MOTORFUEL TANK

DRAWN BY: DQ	DATE:	SCALE: NONE
APPR. BY: RM	DATE:	DWG NO. 20087