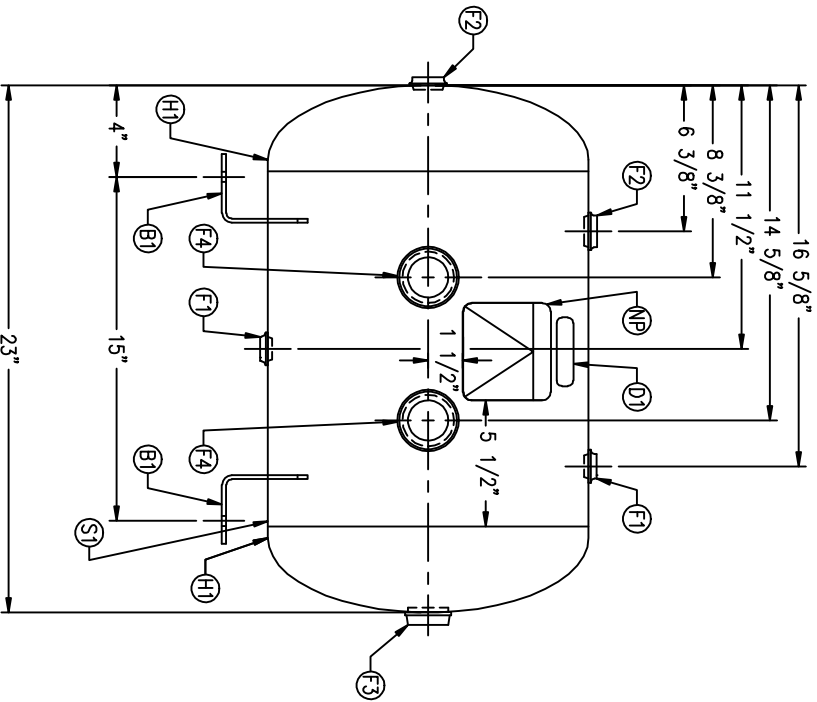


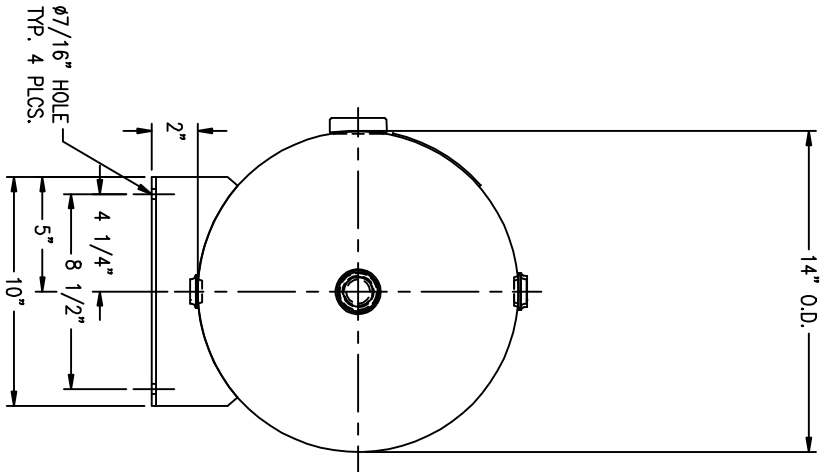
CODE/ADDENDA 2004/2006 APPROVED KM
 RELEASED FOR PRODUCTION
 Q.C. _____ DATE _____



FIND NO.	NPT SIZE
F1	1/2
F2	3/4
F3	1
F4	1 1/2

NOTES
 1. ALL PLUGS TO BE LOOSENED TO HAND TIGHT PLUS A QUARTER TURN WITH A WRENCH PRIOR TO SHIPMENT.

SPECIFICATIONS	
O.D. 14	LGTH. 23
MAMP 200	PSI @ 650 °F
CRN H5605.5123467890	
SH. HD.	S.A. 7.6
GAL. 13.3	CULFT. 1.8
WT. 44#	
CODE: ASME SEC. VIII DIV. 1, LATEST EDITION & ADDENDA	



SYMBOL	DATE	BY	REVISION

APP	XREF	REV

NOTES

SPECIFICATIONS



HORIZONTAL AIR RECEIVER

DRAWN BY	DATE	SCALE: NONE
APP. BY	DATE	DRAWING NO. 304938