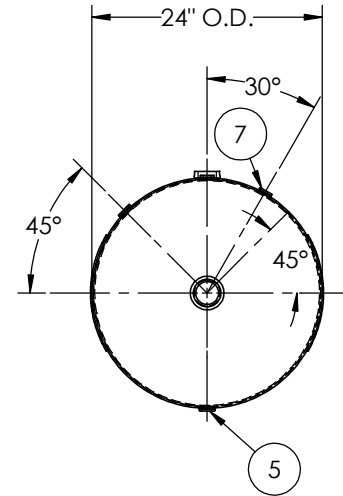
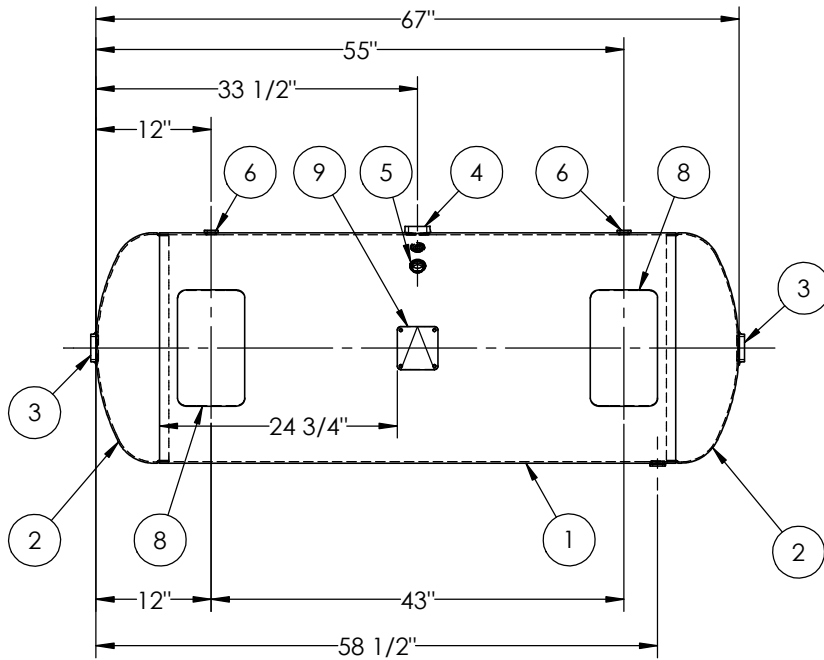



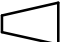
ITEM NO.	PART NO.	DESCRIPTION	QTY.
1	302481-SL	SHELL LAYOUT FOR 24" TANK	1
2	H32031	.149 MIN. 24" O.D. 2:1 ELLIP. JOG. HEAD	2
3	F10440	2"-NPT FLAT FLANGE	2
4	F30317	1 1/2"-NPT RADIAL FLANGE O-RING	1
5	F31840	3/4"-NPT FLAT FLANGE	2
6	F10250	1/2"-NPT FLAT FLANGE	2
7	F33310	1/8"-NPT FLAT FLANGE	1
8	A99435	10GA PAD	4
9	A20910	ASME DATA PLATE	1
10	A99424	LEG ASY	2



SHEET 1 OF 2

NOTES:

RELEASED FOR PRODUCTION
Q.C. _____ DATE _____

REV.		BY	DESCRIPTION	DATE	APP.
A	BC				BC
B	HD				DS
C	RK				MK

MANCHESTER TANK

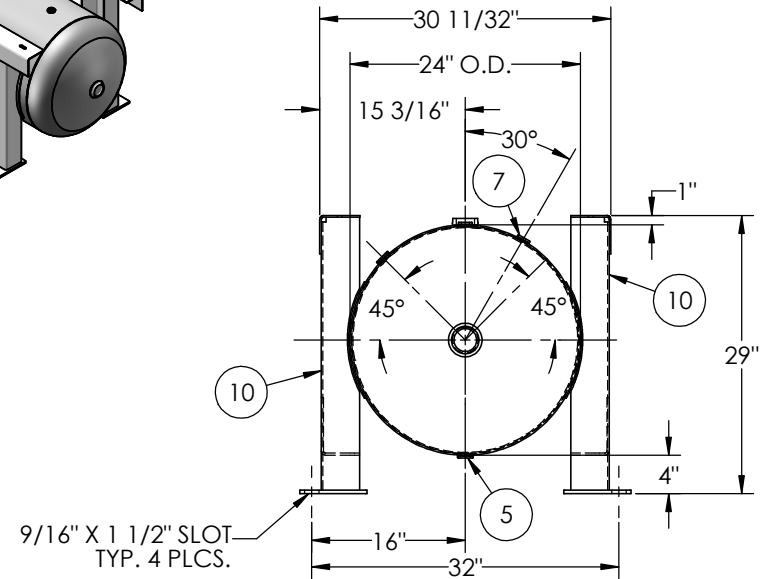
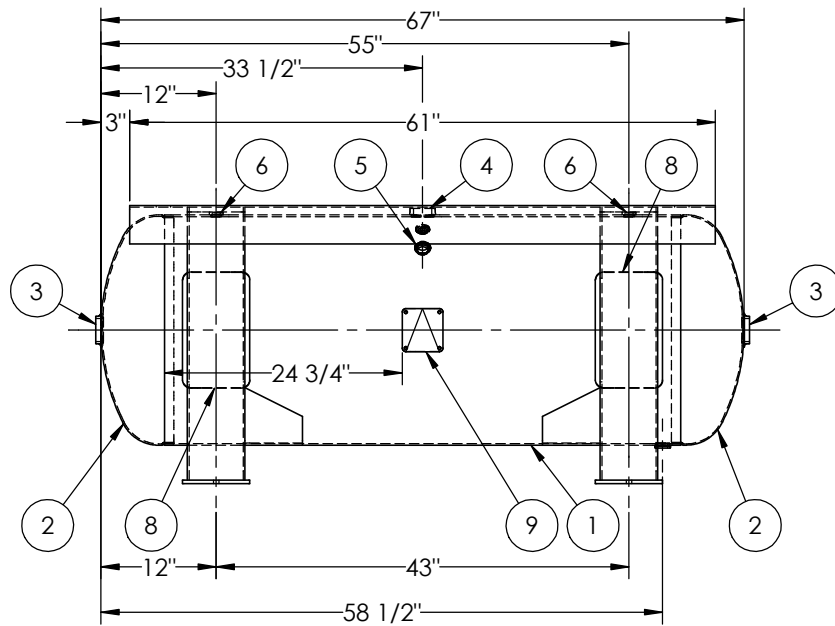
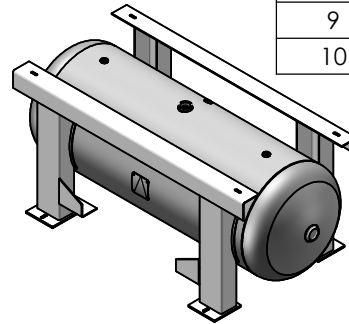
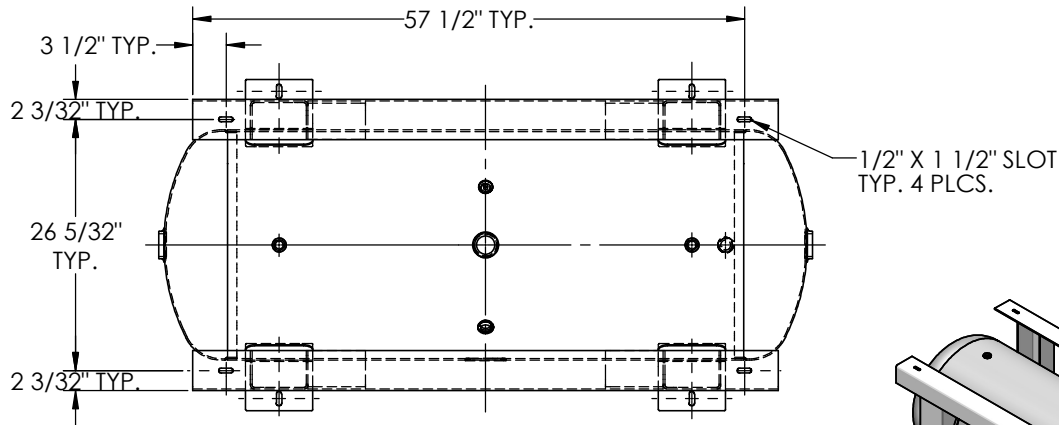
HORIZONTAL AIR RECEIVER

DRAWN BY: WILDMAN	DATE:
APPR. BY: JR	DATE:
SCALE: NONE	DRWG NO. 302481

SPECIFICATIONS

O.D. 24 LGTH. 67 MAWP 200 PSI @ 400°F
 WT. 452 LBS.
 S.A. 36.9 SQ.FT.
 GAL. 120 CU.FT.16 CRN: F0627.1C
 CODE: ASME Section VIII, Div.1, LATEST EDITION W
 EXMT UG-20(f) CORR ALW 0 SH 0 HD
 STD. TOLERANCES: M-2461 (UNLESS OTHERWISE NOTED) WELD DETAILS: M-1932

ITEM NO.	PART NO.	DESCRIPTION	QTY.
1	302481-SL	SHELL LAYOUT FOR 24" TANK	1
2	H32031	.149 MIN. 24" O.D. 2:1 ELLIP. JOG. HEAD	2
3	F10440	2"-NPT FLAT FLANGE	2
4	F30317	1 1/2"-NPT RADIAL FLANGE O-RING	1
5	F31840	3/4"-NPT FLAT FLANGE	2
6	F10250	1/2"-NPT FLAT FLANGE	2
7	F33310	1/8"-NPT FLAT FLANGE	1
8	A99435	10GA PAD	4
9	A20910	ASME DATA PLATE	1
10	A99424	LEG ASY	2



SHEET 2 OF 2

NOTES:

RELEASED FOR PRODUCTION
Q.C. _____ DATE _____

REV.		BY	DESCRIPTION	DATE	APP.
A	BC				BC
B	HD				DS
C	RK				MK

SPECIFICATIONS

O.D. 24 LGTH. 67
 WT. 452 LBS.
 S.A. 36.9 SQ.FT.
 GAL. 120 CU.FT.16 CRN: F0627.1C
 CODE: ASME Section VIII, Div.1, LATEST EDITION
 STD. TOLERANCES: M-2461 (UNLESS OTHERWISE NOTED)

MAWP 200 PSI @ 400°F

EXMT UG-20(f) CORR ALW 0 SH 0 HD
 WELD DETAILS: M-1932



HORIZONTAL AIR RECEIVER

DRAWN BY: WILDMAN	DATE:
APPR. BY: JR	DATE:
SCALE: NONE	DRWG NO. 302481-F2