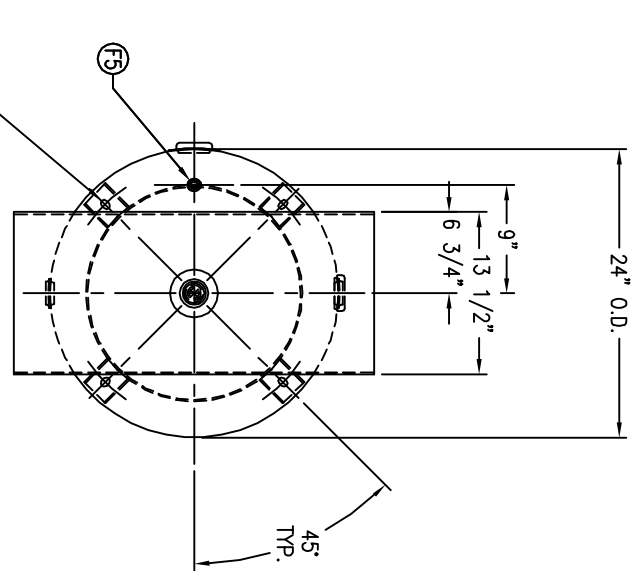
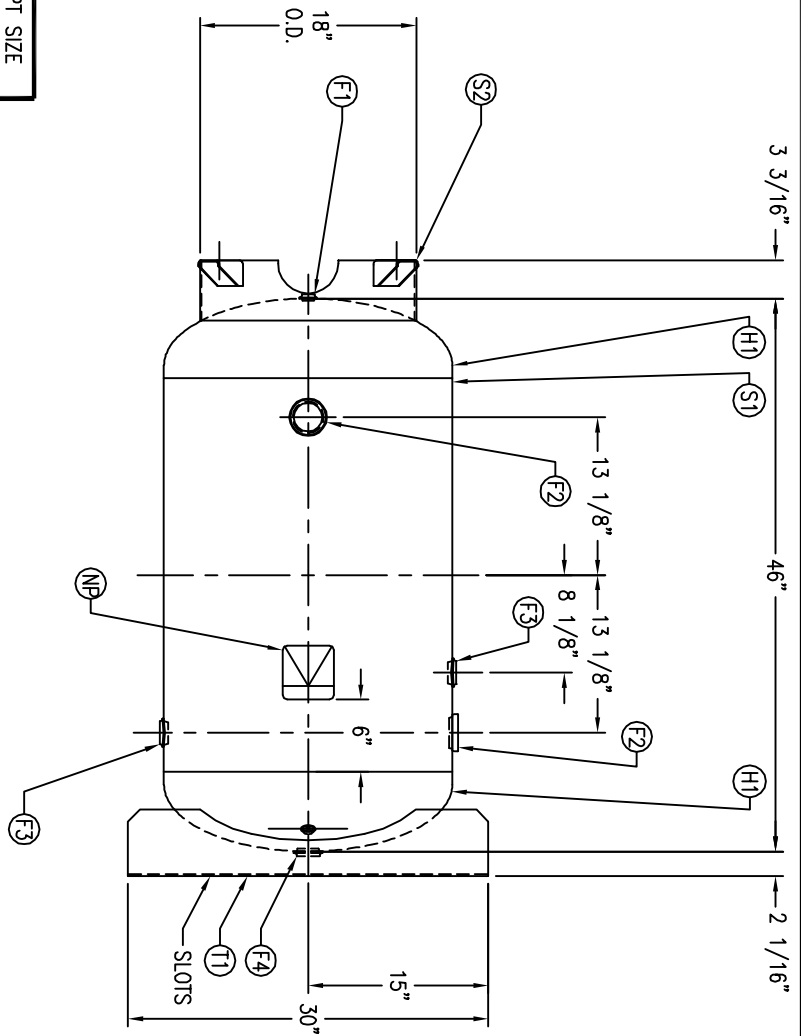


CODE/ADDENDA _____ APPROVED _____
 RELEASED FOR PRODUCTION
 Q.C. _____ DATE _____




9/16" X 7/8" SLOTS
 90° APART ON A
 21" DIA. BOLT CIRCLE

FIND NO.	NPT SIZE
F1	1/2
F2	2
F3	1-1/4
F4	1-1/4
F5	1/4

SYM	DATE	BY	REVISION
A		EGB	
B		EGB	
C		JR	

APP	XREF	REV.	NOTES
EGB	TA	JR	

O.D. 24	LGTH. 46	SH. HD.	MAT'L
MAMP 300 PSI @ 650 F	RT- MDMT -20 F @ 300 PSI	WT. 319#	CUT. 10.7
EXMT TEST W	CRN F1166.1C	CORR ALW	SH HD
WELD DETAILS: M-1932			
STD. TOLERANCES (UNLESS OTHERWISE NOTED): M-2461			



Q:\3000\

VERTICAL AIR RECEIVER

DRAWN BY EGB	DATE	SCALE: NONE	DRAWING NO. 302420
APP. BY MR	DATE		