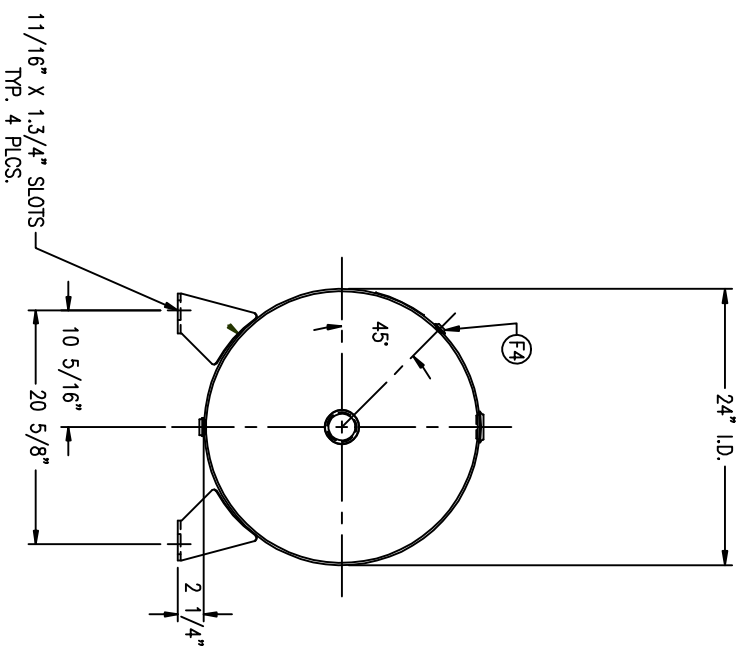
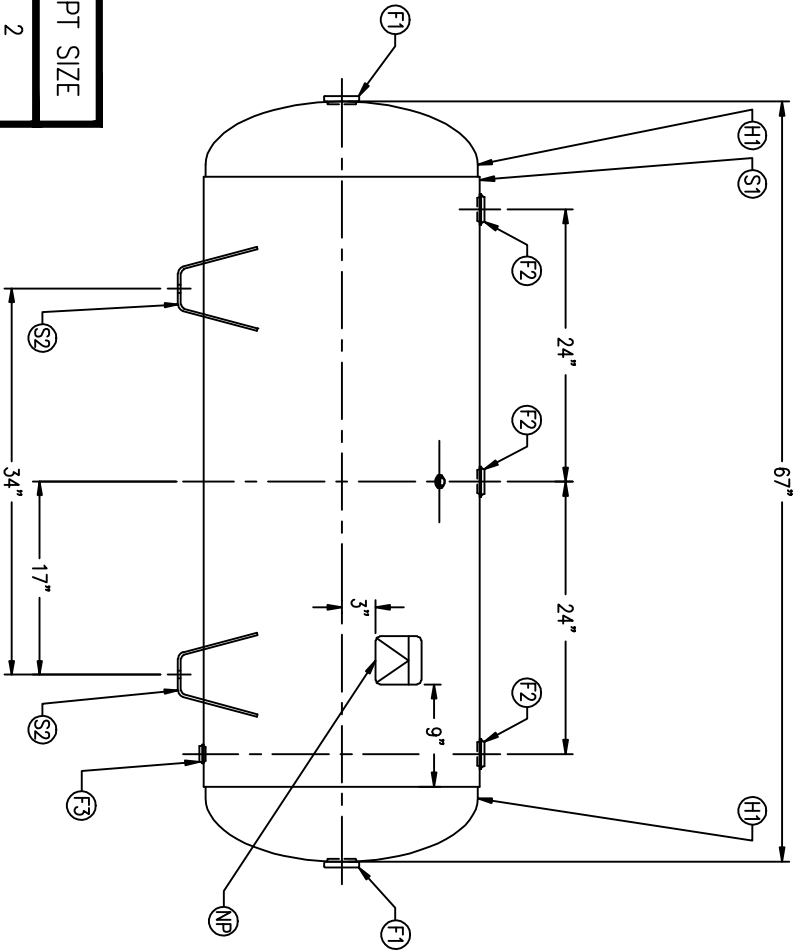


CODE/ADDENDA _____ APPROVED
 RELEASED FOR PRODUCTION _____
 Q.C. _____ DATE _____

FIND NO.	NPT SIZE
F1	2
F2	1 1/2
F3	3/4
F4	1/4

S/M DATE	BY	REVISION



APP	XREF	REV
C809	B	
C865	A	

NOTES

SPECIFICATIONS

I.D. 24 LGTH. 67
 MAWP 200 PSI @ 650 F

GAL 120 S.A. 37.5
 WT. 311# CU.FT. 16.0

CRN E7400.2C
 WELD DETAILS: M-1932
 STD. TOLERANCES (UNLESS OTHERWISE NOTED): M-2461

CODE: ASME SEC. VIII DIV. 1
 LATEST EDITION & ADDENDA



\\CORP2\DWG\302

HORIZONTAL AIR RECEIVER

DRAWN BY	DATE	SCALE: NONE
APP. BY	DATE	DRAWING NO. 302479