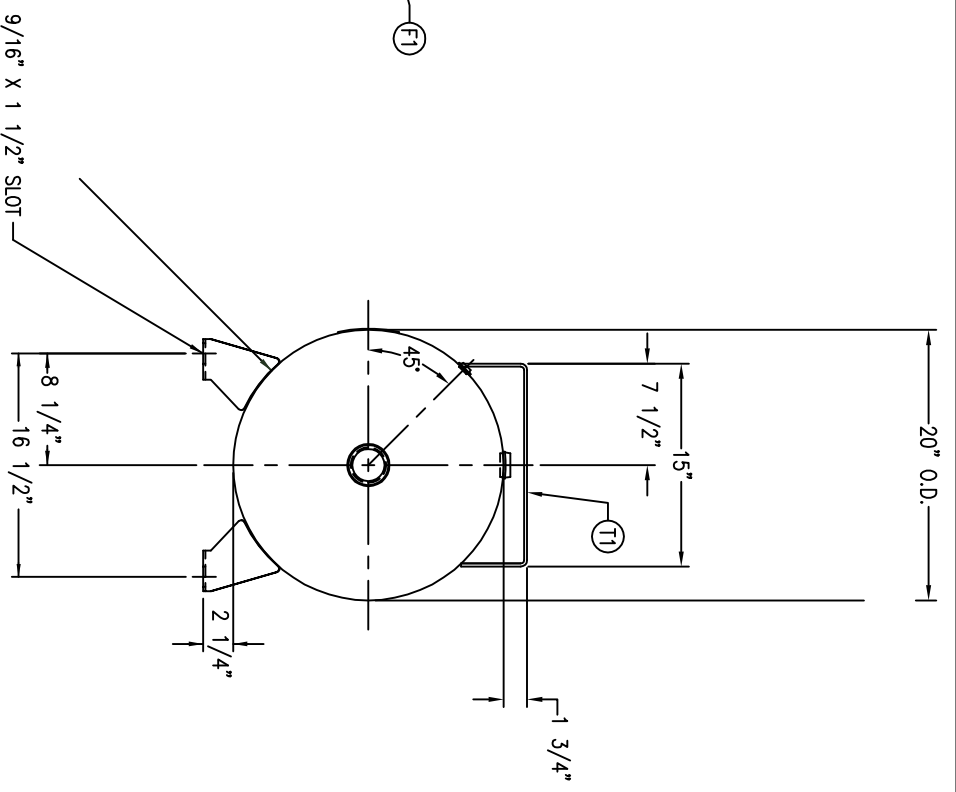
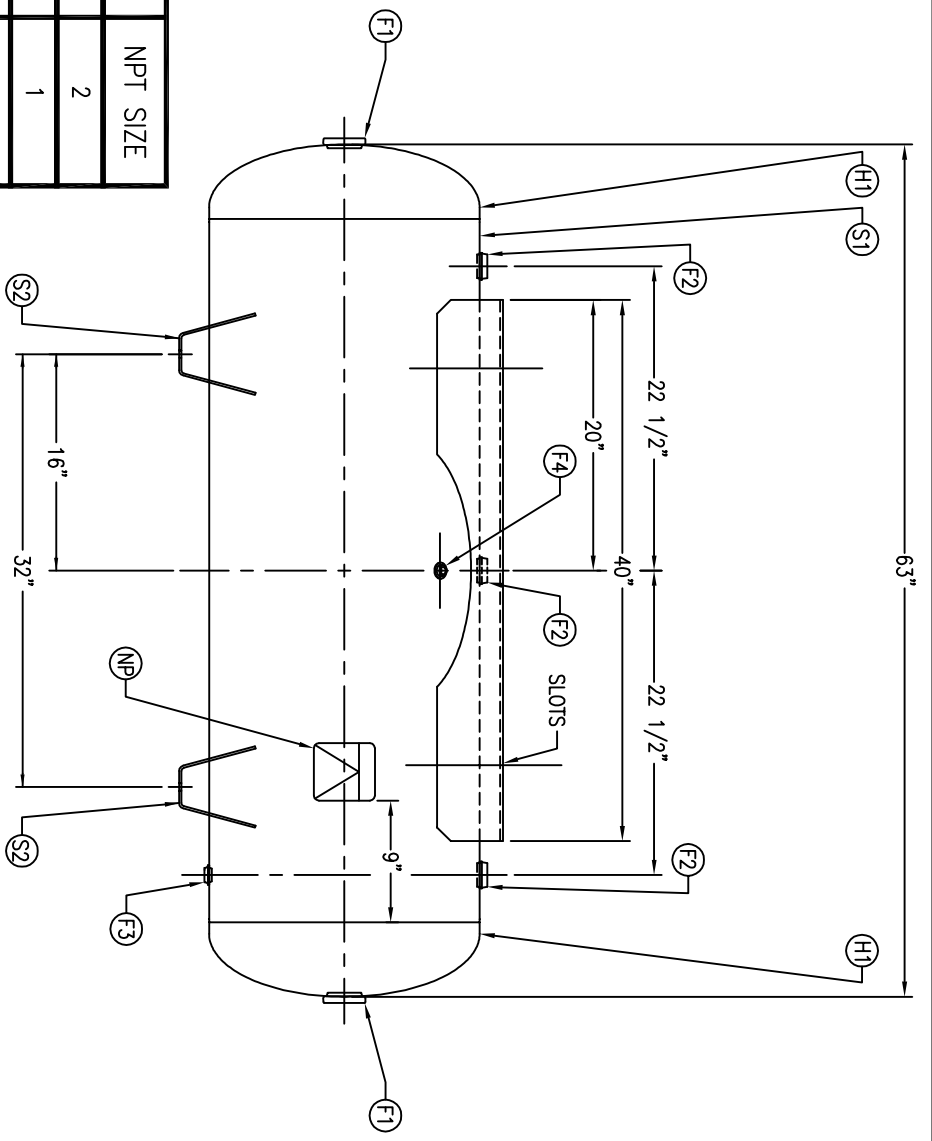


CODE/ADDENDA _____ APPROVED _____
 RELEASED FOR PRODUCTION
 Q.C. _____ DATE _____



FIND NO.	NPT SIZE
F1	2
F2	1
F3	1/2
F4	1/4

SYM	DATE	BY	REVISION	APP	XREF	REV.	NOTES

SPECIFICATIONS	
O.D. 20	LGTH. 63
MAMP 300	PSI @ 650 °F
CRN F1164.1C	GAL. 80 S.A.
	WT. 350# CU.FT.
CODE: ASME / NB	
LATEST EDITION & ADDENDA	
WELD DETAILS: M-1932	
STD. TOLERANCES (UNLESS OTHERWISE NOTED): M-2461	

MANCHESTER
FORGE & MACHINE WORK
 H:\3000\

HORIZONTAL AIR RECEIVER

DRAWN BY	DATE	SCALE: NONE
APP. BY	DATE	DRAWING NO. 302478