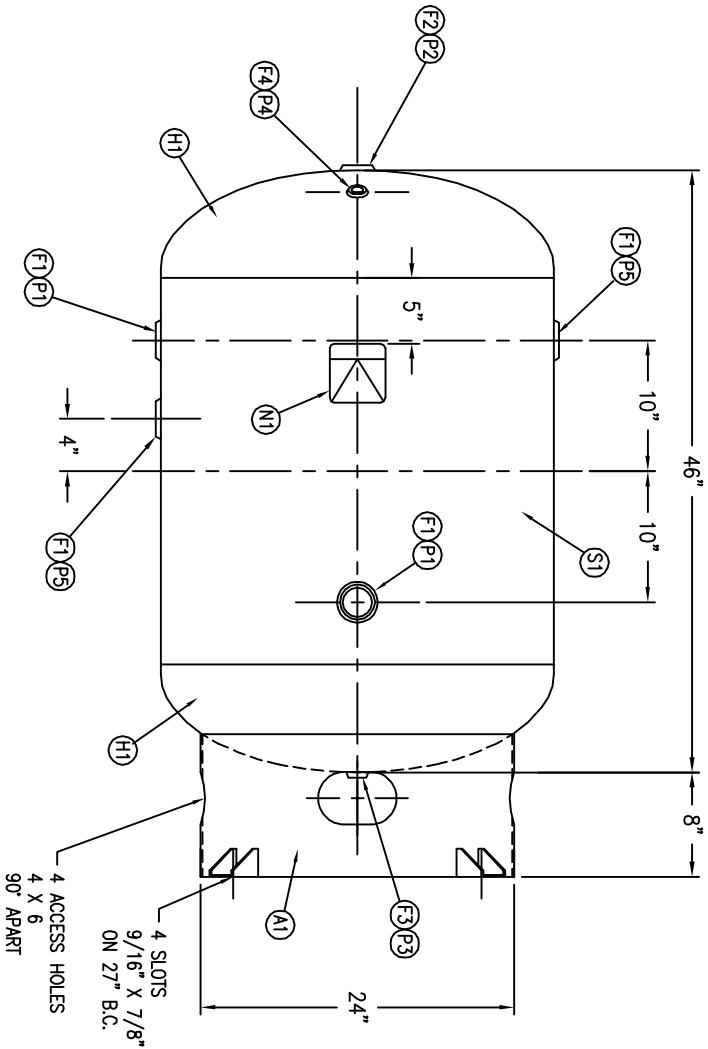
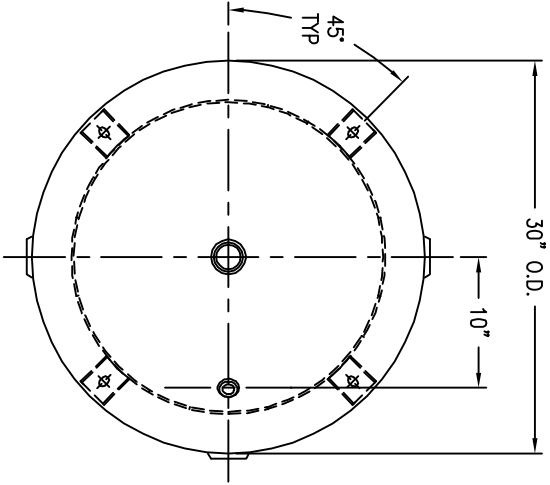


CODE/ADDENDUM \_\_\_\_\_ APPROVED \_\_\_\_\_  
 RELEASED FOR PRODUCTION \_\_\_\_\_  
 Q.C. \_\_\_\_\_ DATE \_\_\_\_\_



FIND NO.	QTY	DESCRIPTION
F1	4	F30318 2 NPT RAD. SA181-70
F2	1	F30316 2 NPT FLT. SA181-70
F3	1	F10250 1/2 NPT SA181-70
F4	1	F10180 1/4 NPT SA181-70

SYML DATE	BY	REVISION	APP

NOTES

SPECIFICATIONS

O.D.: 30 LGTH: 46 SH: MAT'L:  
 MAMP: 200 PSI @ 400 F HD: MAT'L:  
 RT MDMT-20' F @ 200 PSI GAL: 120 SA: 33 ft<sup>2</sup>  
 EXMT: TEST WT: 368# CU.FT: 16  
 X-RAY: CORR ALW. SH HD  
 CRN F0628.1C CODE: ASME / NB  
 PER DATE OF DWG/LAST REV

WELD DETAILS M-1932  
 STD. TOLERANCES (UNLESS OTHERWISE NOTED) M-2461

REF 263004600215  
 35557

**MANCHESTER TANK**

**VERTICAL AIR RECEIVER**  
**120 GALLON**

SCALE: NONE  
 DRAWING NO. **302423**

DRAWN BY	DATE	SCALE
APP. BY	DATE	DRAWING NO.