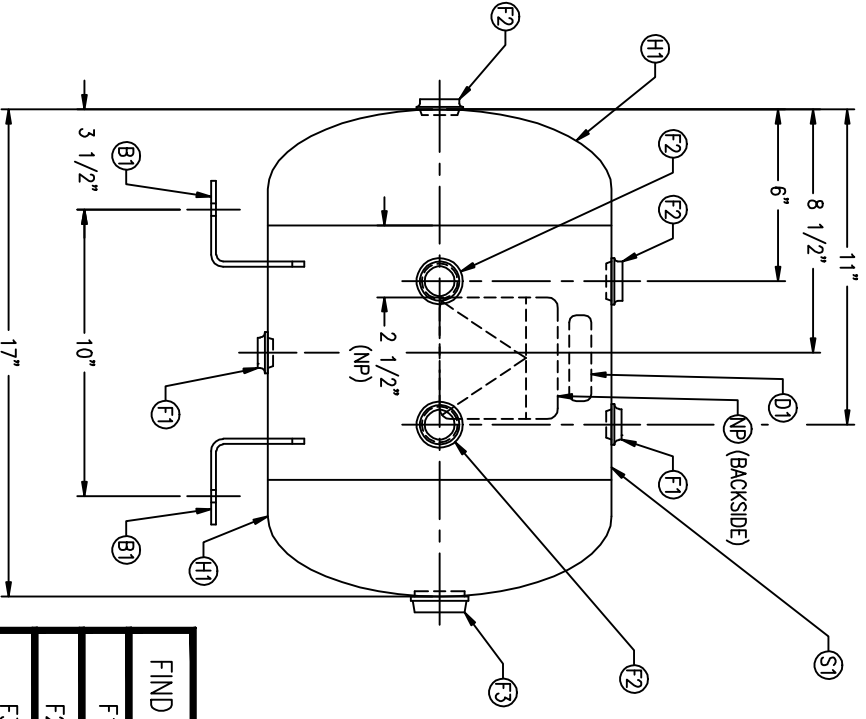


CODE/ADDENDA 2004\2006 APPROVED KM  
 RELEASED FOR PRODUCTION  
 Q.C. \_\_\_\_\_ DATE \_\_\_\_\_

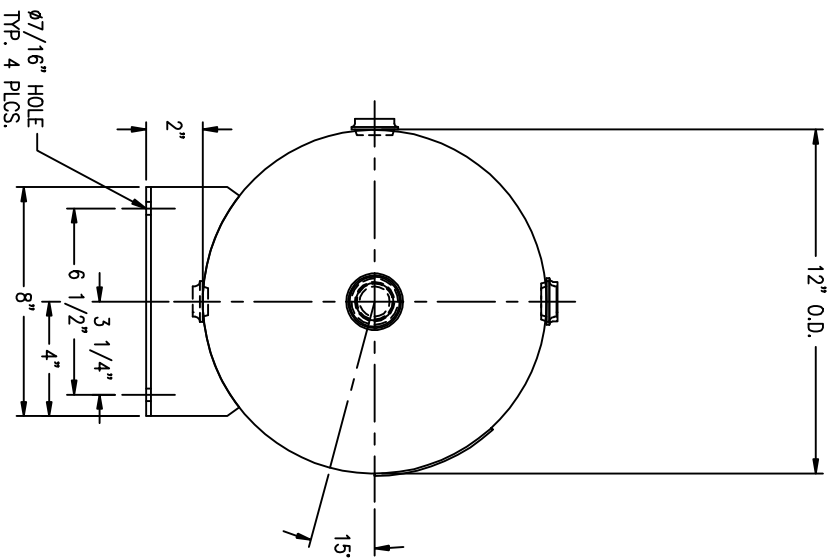


FIND NO.	NPT SIZE
F1	1/2
F2	3/4
F3	1

NOTES  
 1. INTERIOR OF TANK MUST BE INSPECTED AND CLEANED OF ALL FOREIGN PARTICULATE MATTER.  
 2. ALL PLUGS TO BE LOOSENED TO HAND TIGHT PLUS ONE HALF TURN PRIOR TO SHIPMENT.

SPECIFICATIONS

O.D. 12 LGTH. 17  
 MAMP 200 PSI @ 650 F  
 CRN F1144.1C  
 WELD DETAILS: M-1932  
 STD. TOLERANCES (UNLESS OTHERWISE NOTED): M-2461



\\CORP2\DWG 304

HORIZONTAL AIR RECEIVER

QAL. 7.0 SA. 4.9  
 WT. 30# CULFT. .94  
 CODE: ASME SEC. VIII DIV. I,  
 LATEST EDITION & ADDENDA

DRAWN BY \_\_\_\_\_ DATE \_\_\_\_\_  
 APP. BY \_\_\_\_\_ DATE \_\_\_\_\_  
 SCALE: NONE  
 DRAWING NO. 304934

SYMBOL DATE BY

REVISION

APP XREF REV

NOTES

SPECIFICATIONS

DRAWN BY \_\_\_\_\_ DATE \_\_\_\_\_  
 APP. BY \_\_\_\_\_ DATE \_\_\_\_\_  
 SCALE: NONE  
 DRAWING NO. 304934