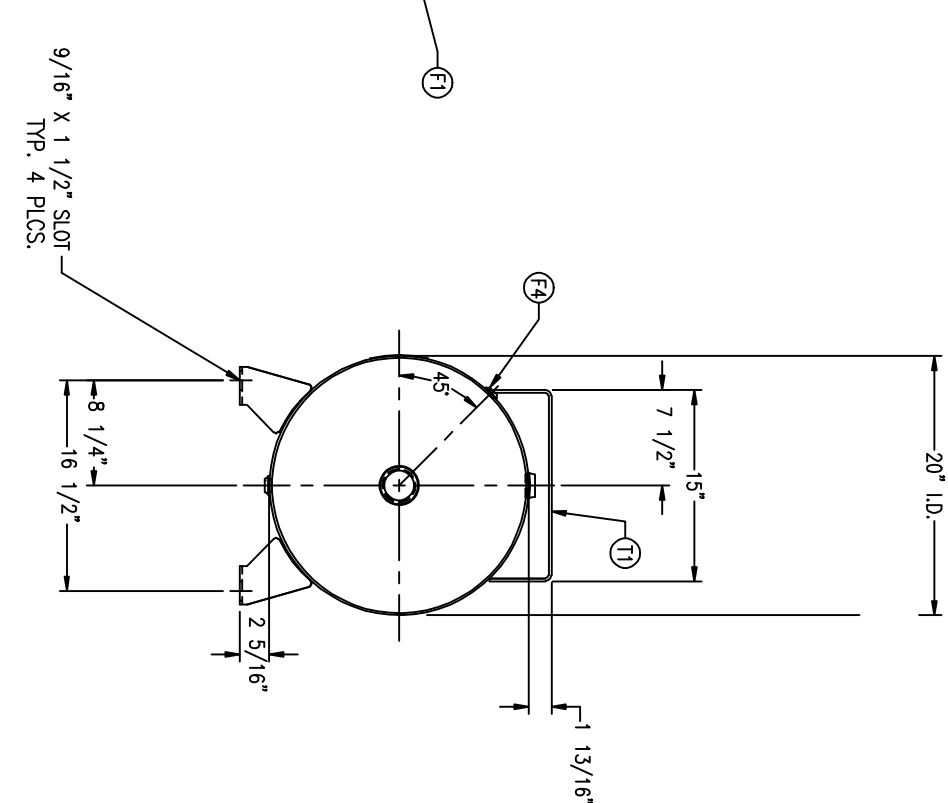
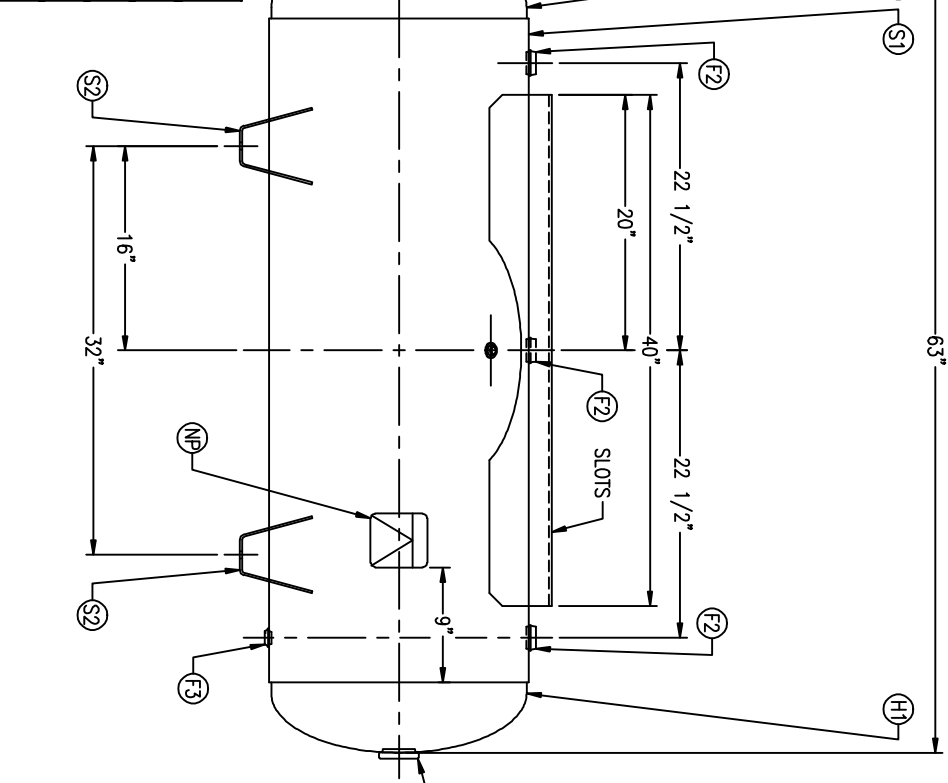


CODE/ADDENDA 2004/2006 APPROVED KM  
 RELEASED FOR PRODUCTION  
 Q.C. \_\_\_\_\_ DATE \_\_\_\_\_

FIND NO.	NPT SIZE
F1	2
F2	1
F3	1/2
F4	1/4



SYM	DATE	BY	REVISION

APP	XREF	REV
CS80	C	
CS59	B	

NOTES

SPECIFICATIONS

I.D. 20 LGTH. 63  
 MAWP 200 PSI @ 650 F  
 CRN E7399.2C  
 GAL. 80 S.A. 29.2  
 WT. 263# CU.FT. 10.7  
 CODE: ASME SEC. VIII DIV. 1  
 LATEST EDITION & ADDENDA



# HORIZONTAL AIR RECEIVER

DRAWN BY	DATE	SCALE
		NONE
APP. BY	DATE	DRAWING NO.
		302477