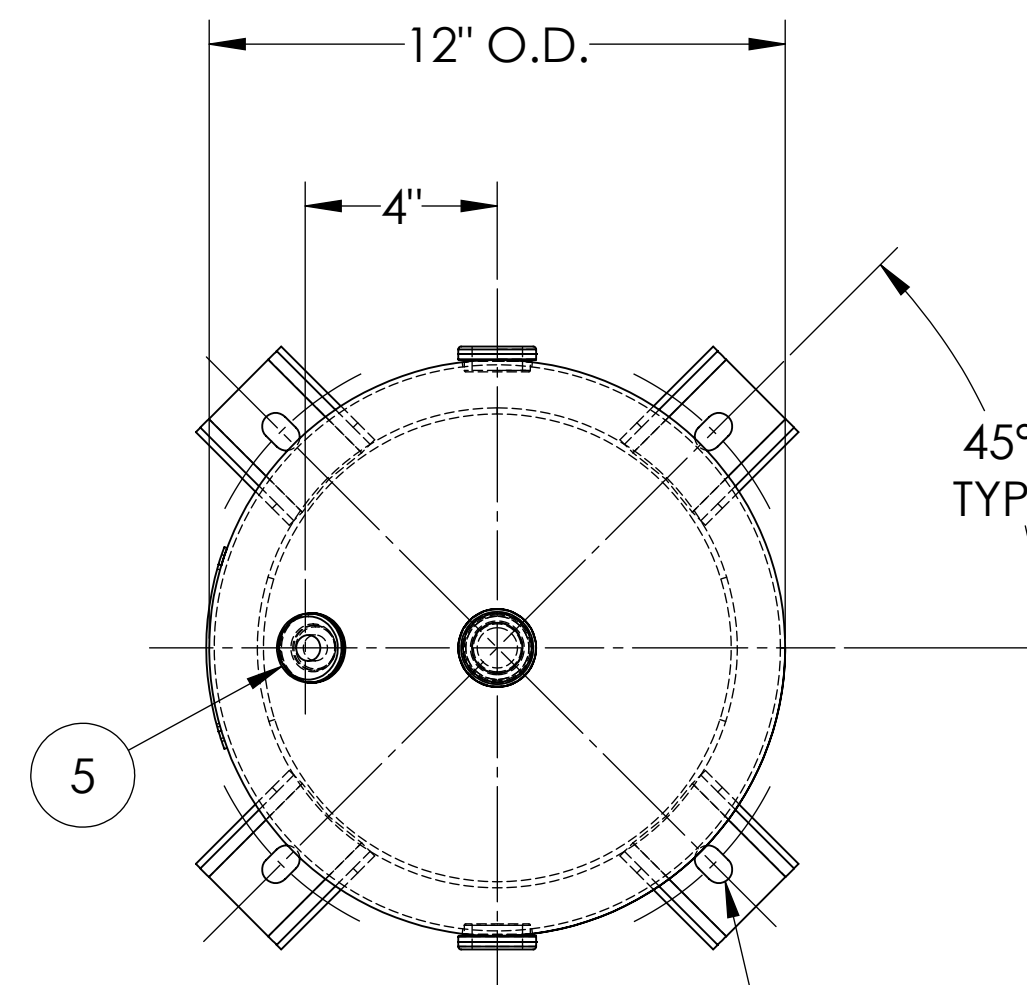
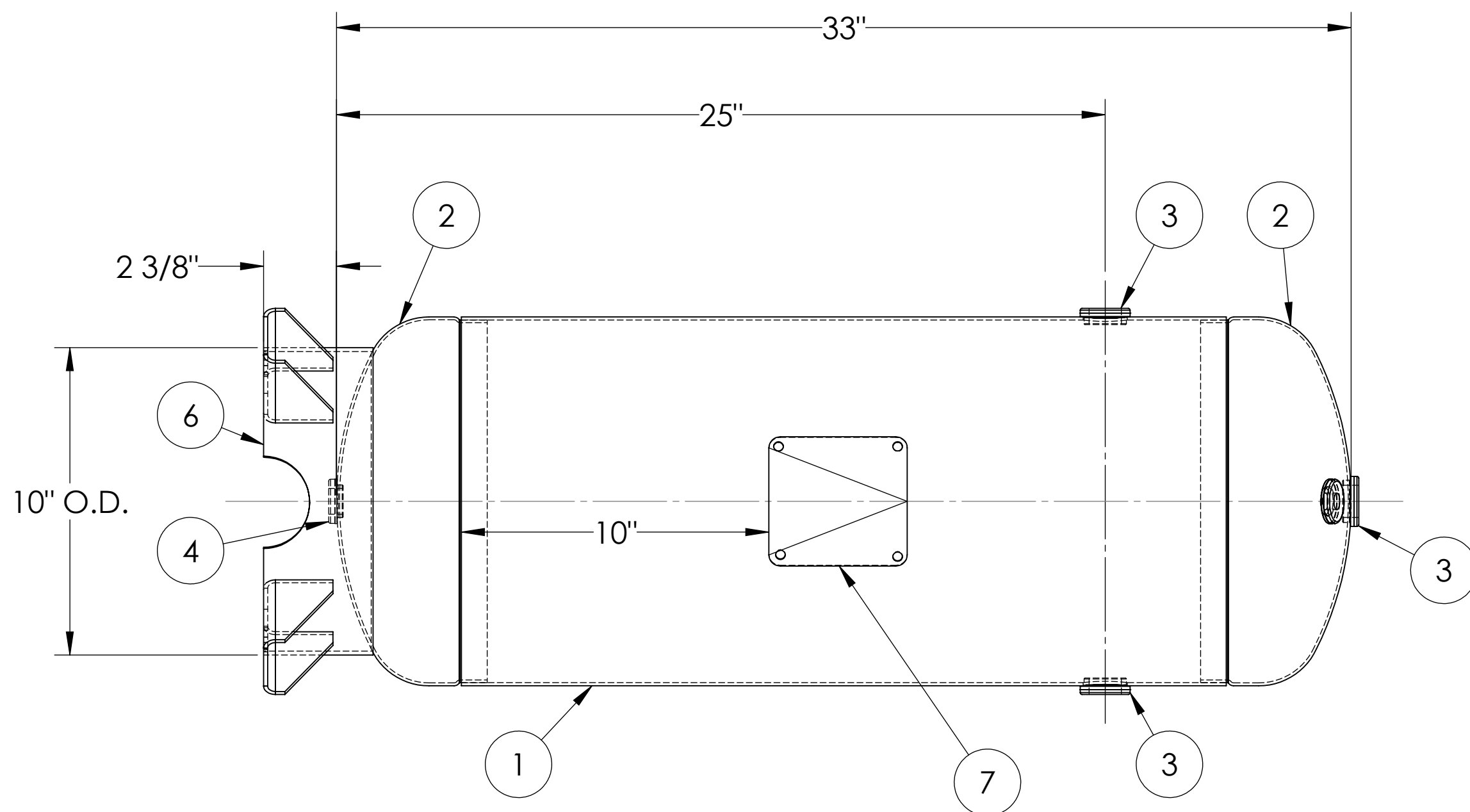




ITEM NO.	PART. NO.	DESCRIPTION	QTY.
1	302402-SL	SHELL LAYOUT FOR 12" TANK	1
2	H32061	.094 MIN. 12" O.D. 2:1 ELLIP. JOG. HEAD	2
3	F31840	3/4"-NPT FLAT FLANGE	3
4	F10250	1/2"-NPT FLAT FLANGE	1
5	F31826	1/4"-NPT FLAT FLANGE	1
6	A88115	BASERING ASY	1
7	A20910	ASME DATA PLATE	1



9/16" X 7/8" SLOT
ON A ϕ 12 3/4" BOLT
CIRCLE, TYP 4 PLCS.

NOTES:

SPECIFICATIONS

O.D. 12 LGTH. 33 MAWP 200 PSI @ 400°F
 WT. 48 LBS.
 S.A. 9.1 SQ.FT.
 GAL. 15 CU.FT. 2.0 CRN: F1144.1C W
 CODE: ASME Section VIII, Div.1 LATEST EDITION EXMT UG20(f) CORR ALW 0 SH 0 HD
 STD. TOLERANCES: M-2461 (UNLESS OTHERWISE NOTED) WELD DETAILS: M-1932



VERTICAL AIR RECEIVER

FILE LOCATION: O:\SolidWorks\3000\302402

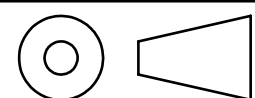
DRAWN BY: DATE:

APPR. BY: DATE:

SCALE: NONE DRWG NO. 302402

RELEASED FOR PRODUCTION

Q.C. _____ DATE _____



REVISIONS

REV.	BY	DESCRIPTION	DATE	APP.