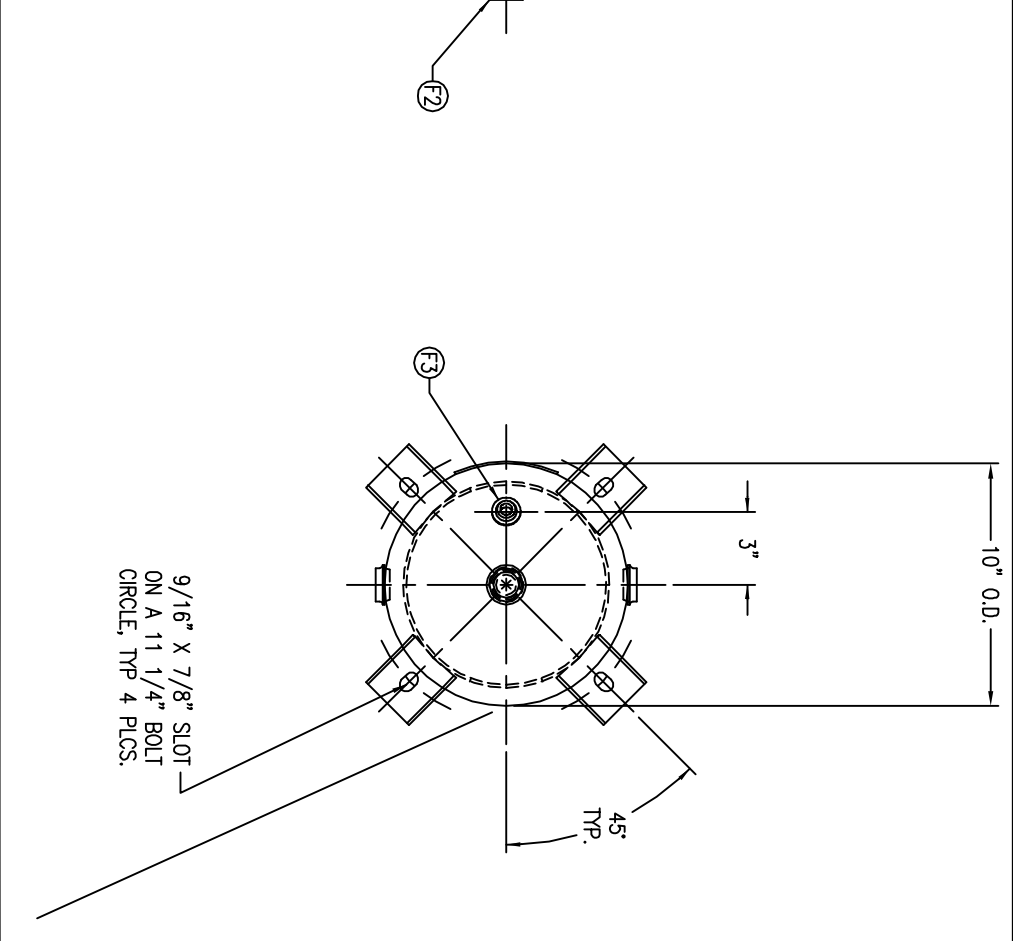
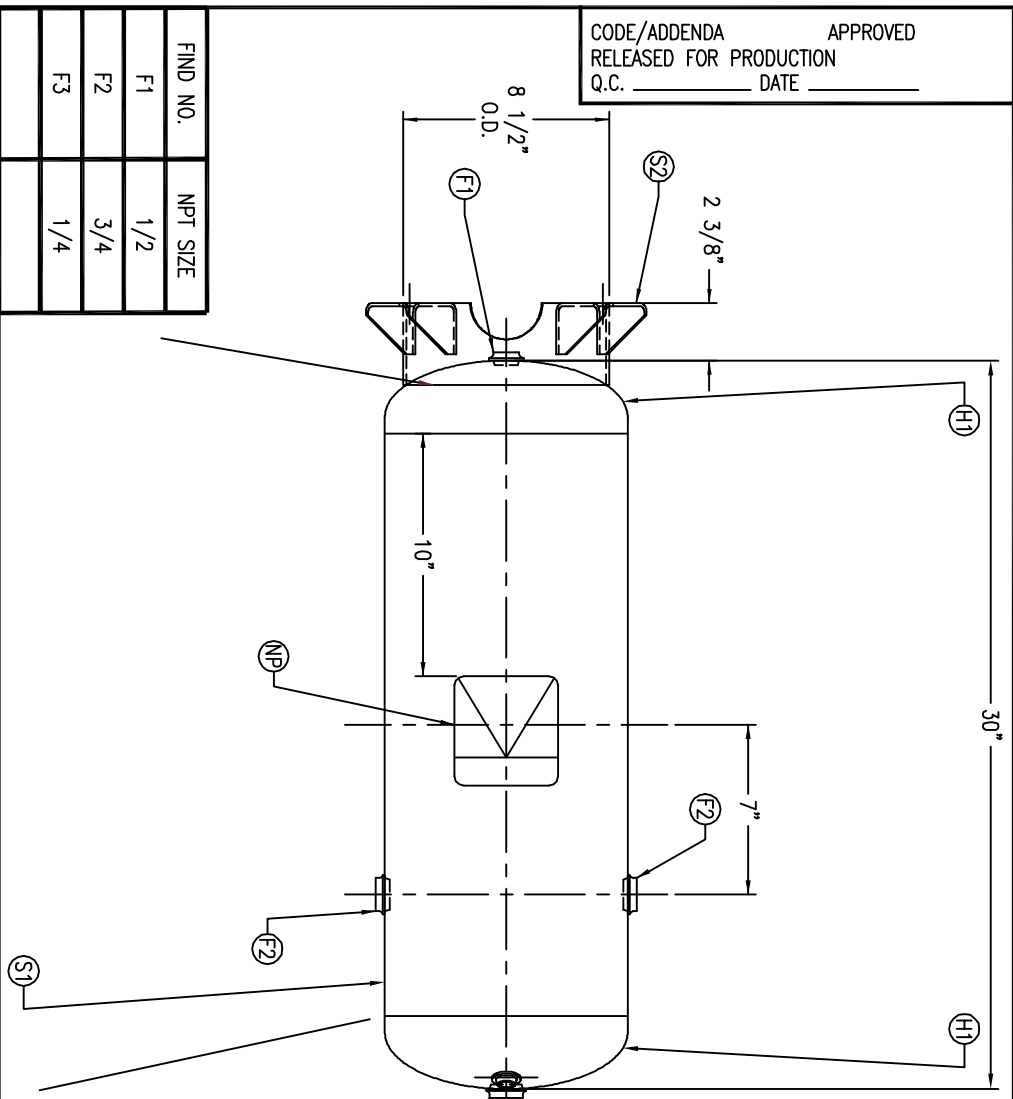


APPROVED
RELEASED FOR PRODUCTION
Q.C. _____ DATE _____



9/16" X 7/8" SLOT
ON A 1 1/4" BOLT
CIRCLE, TYP 4 PLCS.

FIND NO.	NPT SIZE
F1	1/2
F2	3/4
F3	1/4

SYM.	DATE	BY	REVISION
A		EGB	

APR.	REF. REV.
EGB	C986 B C985

NOTES

SPECIFICATIONS	
O.D. 10	LGTH. 30
MAMP 300	PSI @ 650 F
RT- MDMT -20	F @ 300 PSI
EXMT U820(f)	TEST
XRAY	W
CRN D1625.67890TYN	
SH.	MAT'L
HD.	MAT'L.
GAL. 10	S.A. 6.9
WT. 41#	CUFT. 1.3
CORR ALW	SH
CODE: ASME SEC. VIII DIV. I,	HD
LATEST EDITION & ADDENDA	
WELD DETAILS: M-1932	
STD. TOLERANCES (UNLESS OTHERWISE NOTED): M-2461	

MANCHESTER
CORP2.DWG\302

VERTICAL AIR RECEIVER

DRAWN BY EGB	DATE	SCALE: NINE
APP. BY MR	DATE	DRAWING NO. 302401